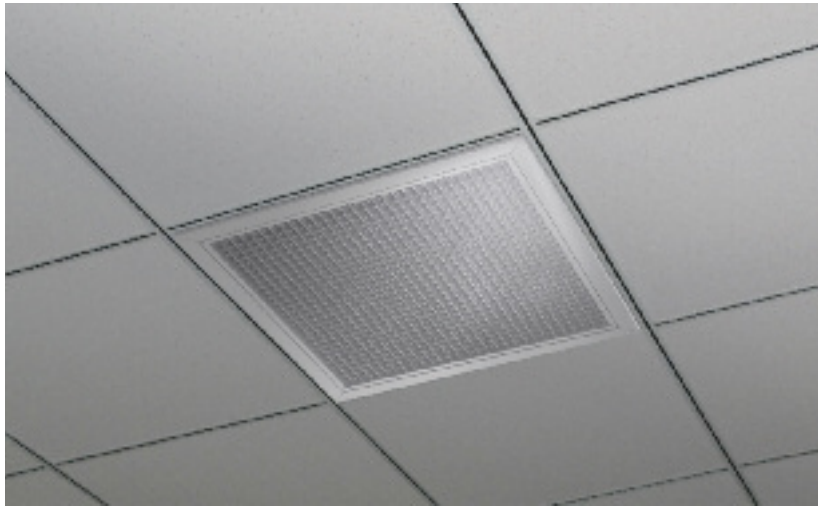


Caspian Skyline

The latest addition to the Caspian range, Caspian Skyline fits into a 600mm x 600mm ceiling tile, providing easy access for both installation and maintenance. It's suitable for projects in schools, retail or food units or where the heating needs to complement the rest of the premise. Using current EC technology, it delivers discreet heating and plumbs easily into the central heating system.

The Caspian Skyline has been developed to provide a more easily installed ceiling tile fan convector to complement the Smith's range of Caspian commercial fan convectors and may be used alone or in tandem with other Smith's products. Plumbing easily into any wet central heating system, the Caspian Skyline will also work effectively and efficiently with renewable heat sources, such as air or ground source heat pumps.



Model	Heat Output at 80°			Heat Output at 75°			Heat Output at 70°		
	Low (KW/BTU)	Medium (KW/BTU)	High (KW/BTU)	Low (KW/BTU)	Medium (KW/BTU)	High (KW/BTU)	Low (KW/BTU)	Medium (KW/BTU)	High (KW/BTU)
Caspian Skyline CT60	3.1 (10500)	4.1 (14000)	5.1 (17500)	2.7 (9200)	3.7 (12500)	4.6 (15700)	2.3 (8000)	3.2 (11000)	4.1 (14000)

Model	Heat Output at 65°			Heat Output at 60°			Heat Output at 55°		
	Low (KW/BTU)	Medium (KW/BTU)	High (KW/BTU)	Low (KW/BTU)	Medium (KW/BTU)	High (KW/BTU)	Low (KW/BTU)	Medium (KW/BTU)	High (KW/BTU)
Caspian Skyline CT60	2.3 (7700)	2.9 (10000)	3.6 (12200)	2.2 (7400)	2.6 (8900)	3.1 (10500)	1.5 (5000)	2.0 (6900)	2.6 (8700)

Model	Heat Output at 50°			Heat Output at 45°			Heat Output at 40°		
	Low (KW/BTU)	Medium (KW/BTU)	High (KW/BTU)	Low (KW/BTU)	Medium (KW/BTU)	High (KW/BTU)	Low (KW/BTU)	Medium (KW/BTU)	High (KW/BTU)
Caspian Skyline CT60	0.8 (2600)	1.4 (4800)	2.1 (7000)	0.5 (1700)	0.9 (3000)	1.3 (4400)	0.2 (800)	0.4 (1300)	0.5 (1700)

Heat outputs tested in accordance with BS EN442 using mean water temperature, 18°C entering air temperature, 10°C temperature drop.

Correction factors

EAT°C	Mean Water Temperature °C	
	80 to 40	
15	1.10	
21	0.93	

Factor	Temperature Drop °C			
	20	15	10	5
Factor	0.89	0.95	1.00	1.04

Model	Flow & Return Connections	Mains Cable	Transformer	Flexible Hoses	Isolation Valves	Fused Spur	Total Power Consumption			
							Low (Watts)	Medium (Watts)	High (Watts)	Water Capacity (Litres)
Caspian Skyline CT60	22mm	n/a	n/a	n/a	n/a	3A	8	24	40	0.75

Model	Sound Levels				
	High (dBA)	Medium (dBA)	Low (dBA)	Grille Colour	Fan Only
Caspian Skyline CT60	48	40	34	White	n/a

Sound levels measured at 3.0m.

Model	Packed Weight
Caspian Skyline CT60	20KG



External control harness



Adjustable low temperature cut-out



22mm flexible hoses

Caspian Skyline

Motor

EC and AC

EC motors are BMS compliant

Finish

Casing: galvanised steel 1.2mm

Grille

Eggcrate core, white RAL 9010 complete with touch catches

Filter

Class G3, 100% polyester, non-washable

Installation

- Suitable for two-pipe central heating systems
- Maximum installation height – 4m to underside
- Unit must be earthed

Commissioning

Check water is hot enough to activate the low temperature cut-out thermostat

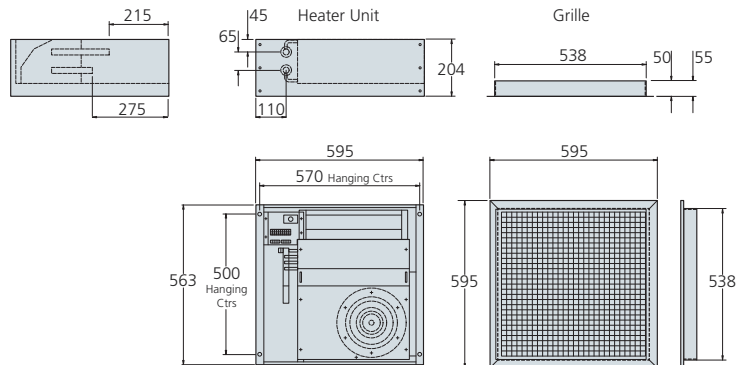
Controls

Variable heat output controller (mounted within the product)

Accessories

- Adjustable low temperature cut-out (30°C to 90°C)
- External control harness (for up to 4 products)
- 22mm flexible hoses (pair)

See Glossary on page 46 for further information on Accessories



All dimensions in mm