

Products with this symbol (crossed out wheelie bin) cannot be disposed as household waste. Old electrical and electronic equipment must be recycled at a facility capable of handling these products and their waste by-products. If you are purchasing replacement equipment your retailer may offer a 'take back' scheme, or will be able to give details of the nearest approved authorised treatment facility. Proper recycling and waste disposal will help conserve resources whilst preventing detrimental effects on our health and the environment.

WEEE Registered Code: WEE/ED0093VW



### Smith's Environmental Products Ltd,

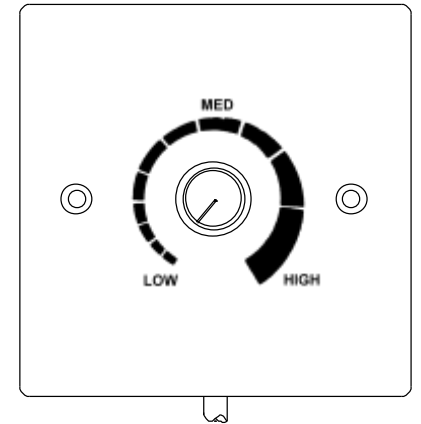
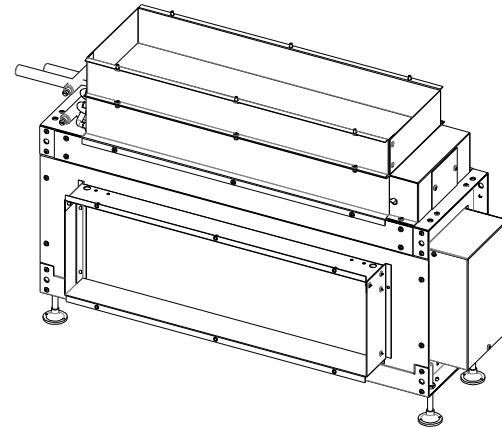
Blackall Industrial Estate, South Woodham Ferrers, Chelmsford Essex CM3 5UW  
 Tel: 01245 324900 After Sales: 01245 324560 Fax: 01245 324422  
 E-mail: [info@smiths-env.com](mailto:info@smiths-env.com) Web: [www.smiths-env.com](http://www.smiths-env.com)  
 For Ireland (Republic & Northern), contact MT Agencies on 00 353 1 864 3363

In light of our policy of continuous development Smith's Environmental Products Ltd reserve the right to alter specifications without prior notice.



## External Control Harness

### Caspian UVC (Universal Concealed) Installation and User Guide



#### User Information.

**Installation of this product must be carried out by a qualified electrician.**

**This appliance can be used by children aged from 8 years and above and persons with reduced physical, sensory or mental capabilities or lack of experience and knowledge if they have been given supervision or instruction concerning use of the appliance. Cleaning and user maintenance shall not be made by children without supervision. (Refer EN 60335-1 clause 7.12).**



## Installing the harness or harnesses to link a maximum of four machines together.

The harness should only be used to link heaters together when the master controller has been removed from the master heater and mounted on the wall.

It is possible to connect the slave heaters into the spare plug on the harness adjacent to the wall mounted controller or the spare plug on the harness inside the master heater.

1. Connect the harness to the spare plug adjacent to the wall mounted controller or the spare plug in the heater. If using the plug in the heater feed the harness out through the square aperture in the rear of the heater (See Fig 6). Ensure the cable is then fed through one of the round slotted holes at the bottom of the aperture and secure the black plastic bush already fitted to the cable in the slotted hole.
2. Route the harness to the heater to be connected (slave) and feed the cable in through the square aperture at the rear of the heater and secure black plastic boss.
3. Disconnect the 4 way plug(s) connecting the fan(s) (depending on model) to the controller in the slave heater and connect the motor plugs to the harness.
4. Secure the harness to the electrical panel with the clamp and screws provided.

### If connecting another slave unit repeat procedure as above.

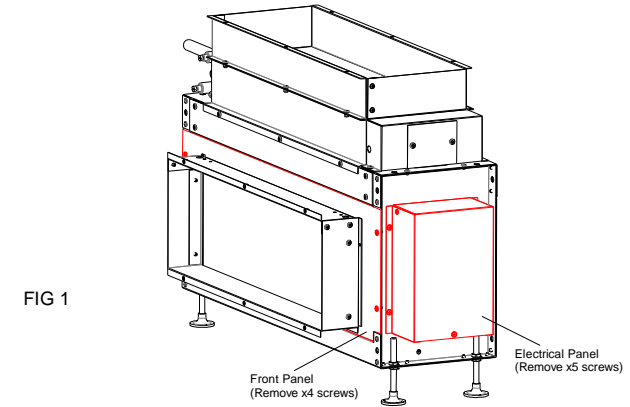
5. Secure front panels and switch on electric supply to heaters.
6. Ensure boiler is turned on and any other external controls are calling for heat.
7. Adjust master controller to desired speed and check that heaters are working correctly.

(See page 5, Figure 7 for a diagram of linking multiply units together)

Follow these instructions when using the harness to mount the controller externally from the heater:

## ENSURE THAT THE ELECTRICAL SUPPLY TO THE PRODUCT HAS BEEN ISOLATED

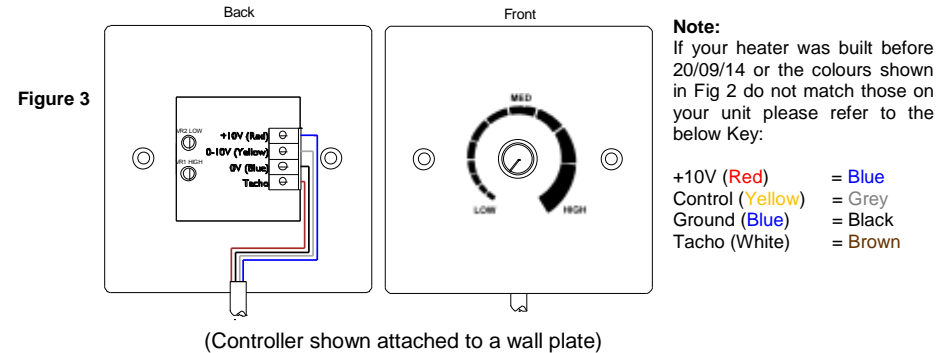
1. Identify the front panel and the electrical panel (Shown in red, Fig 1).



2. Remove the screws attaching the front panel (retain this panel for later), then remove the electrical panel to the chassis so that it becomes free (See fig 1).

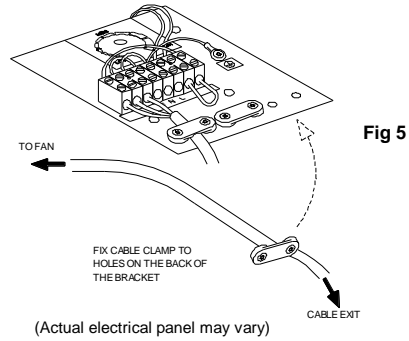
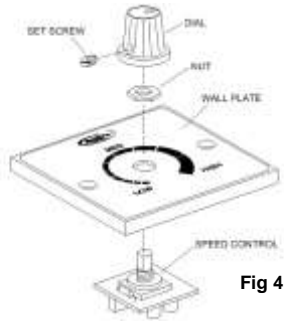
### Do not disconnect any wires at this point.

3. Turn the electrical panel over to reveal the circuit board of the speed controller. Remove the four wires connected to the speed controller and trace the lead back to the 4 way plugs which connect to the fans (This lead will be referred to as a "Control Harness"). Separate this harness from the rest of the heaters wiring and remove it.



4. Turn the electrical panel back over and remove the screw securing the control knob. Unscrew the nut securing the controller to the electrical panel and remove controller. Retain all parts for future use. (Figure 4)
5. Connect the Control Harness to the 12m harness included in this kit. There are three plugs on this end of the 12m harness and you can use any of these. Depending on the model one or two of these will not be used.

- On the back side of the electrical panel there will be a stain relief cable clamp, Unscrew and fasten onto the exiting harness to the electrical panel (See Fig 5).



- Refit the electrical panel. Ensure wiring is clear from fan mouths using provided cable ties if necessary.
- Attach the controller previously removed from machine to the wall plate supplied ensure that when the knob is turned fully anti clockwise it aligns with the low mark on the plate. (Fig 4)
- Route the 10mm cable (harness) that has been attached to the heater to the pre fitted pattress box and connect the wires as shown in fig 3.
- Attach the controller and wall plate to the pattress box and secure with the screws provided.
- Refit front panel to machine.
- Turn on electrical supply and any other external controls (room stat / timer etc.) and check that the machine is working correctly by adjusting speed controller.

## NOTES

---



---



---



---



---

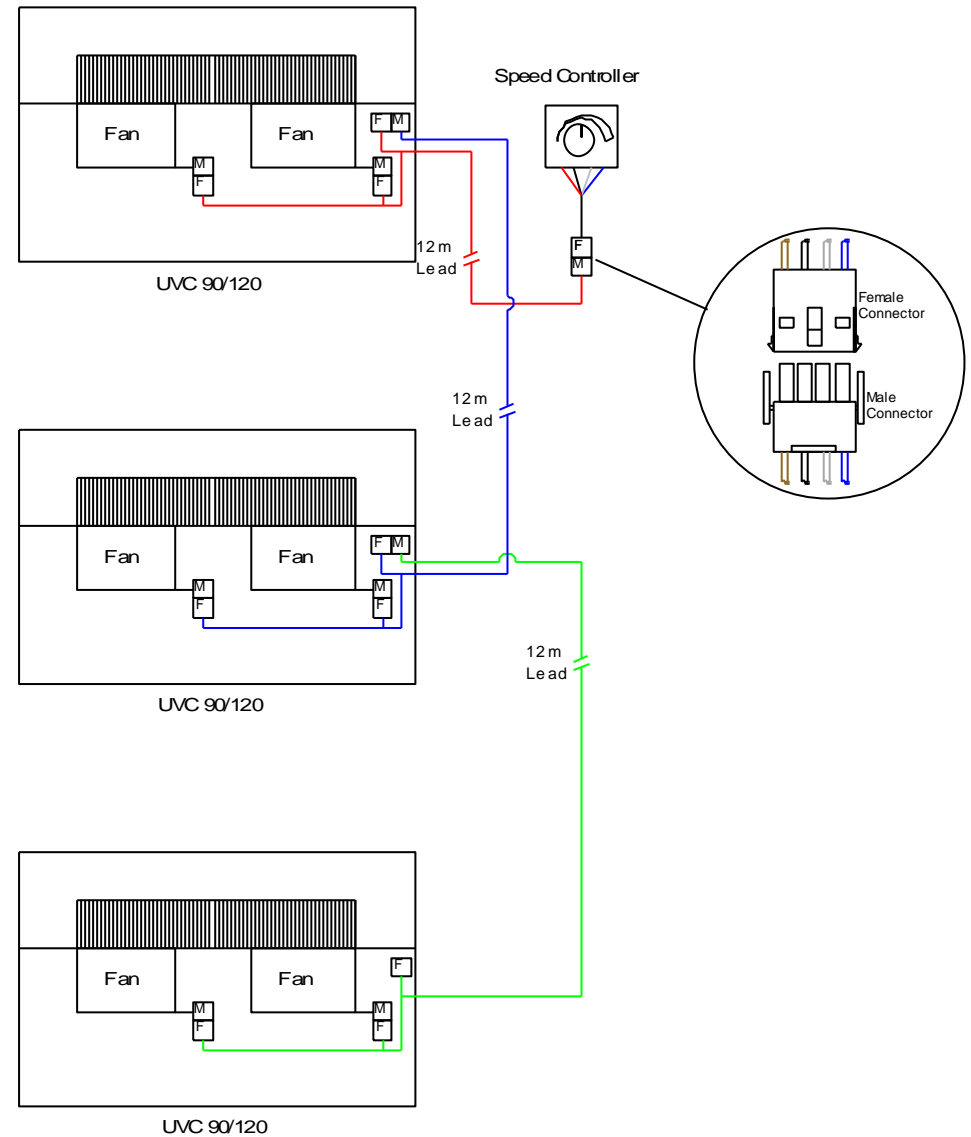


---



---

## Linking multiple units together



(Diagram showing three Caspian UVC units being linked with three separate External Control Harnesses (Shown in different colours))