

# Eco-Powerad®

The Eco-Powerad® is the fan convector of the future - energy efficient, responsive and suitable for installation within most wet central heating systems, driven by either boilers or low temperature renewable technology. Compact, with smooth lines to achieve visual simplicity, the Eco-Powerad® also features low surface temperature casing for complete safety and possesses a very low operating sound - between 28 and 32 decibels. Supplied as standard in white but can be supplied in any colour.



Model	Room Size Guide* (m³)	Heat Output at 80°C kW (Btu/h)	Heat Output at 75°C kW (Btu/h)	Heat Output at 70°C kW (Btu/h)	Heat Output at 65°C kW (Btu/h)	Heat Output at 60°C kW (Btu/h)	Heat Output at 55°C kW (Btu/h)	Heat Output at 50°C kW (Btu/h)	Heat Output at 45°C kW (Btu/h)	Heat Output at 40°C kW (Btu/h)
<b>Hydronic</b>										
Eco-Powerad 500	14	0.9 (3100)	0.8 (2900)	0.8 (2750)	0.7 (2400)	0.6 (2050)	0.5 (1875)	0.5 (1700)	0.4 (1375)	0.3 (1050)
Eco-Powerad 1000	29	2.4 (8200)	2.1 (7150)	1.8 (6100)	1.6 (5450)	1.4 (4775)	1.2 (4100)	1.0 (3400)	0.8 (2725)	0.7 (2400)
Eco-Powerad 1500	43	2.6 (8900)	2.4 (8200)	2.2 (7500)	2.0 (6825)	1.9 (6475)	1.7 (5800)	1.5 (5100)	1.2 (4100)	0.9 (3100)
Eco-Powerad 2000	57	3.9 (13200)	3.5 (11950)	3.2 (10900)	2.8 (9550)	2.5 (8525)	2.2 (7675)	2.0 (6800)	1.7 (5800)	1.3 (4600)

\*Room sizes given in cubic metres for general guidance only based on normal heat output (50°C) for domestic applications - always calculate heat losses. Heat outputs tested in accordance with BS4856 using entering water temperature and 340 l/h (75gph) flow rate.

At inlet water temperatures of 75°C and below, all Eco-Powerad models are classified as LST (low surface temperature) appliances.

Model	Sound Levels* (dBA)	Casing Colour	Flow & Return Connections	Mains Cable	Transformer	Flexible Hoses	Isolating Valves	Fused Spur	Total Power Consumption (Watts)	Water Capacity (Litres)
<b>Hydronic</b>										
Eco-Powerad 500	28	White	15mm	2m	n/a	n/a	n/a	3A	15	0.17
Eco-Powerad 1000	30	White	15mm	2m	n/a	n/a	n/a	3A	18	0.28
Eco-Powerad 1500	31	White	15mm	2m	n/a	n/a	n/a	3A	33	0.44
Eco-Powerad 2000	32	White	15mm	2m	n/a	n/a	n/a	3A	36	0.55

\*Measured at 1.5m.

## Eco-Powerad®

### Finish

Front casing: zinc coated steel  
Polyester, powder-coated: white RAL 9010

### Installation

- Mounting bracket supplied
- Unit must be earthed
- Suitable for two-pipe central heating systems
- Minimum height above floor level 150mm
- Maximum height above floor level 500mm

### Commissioning

Check water is hot enough to activate the low temperature cut-out thermostat. Ensure system is balanced for even heat distribution

### Controls

Low temperature cut-out thermostat, set to energise fan at approximately 35°C

Suitable for thermostatic radiator valves (TRV) - not supplied

Rocker switch - normal/low

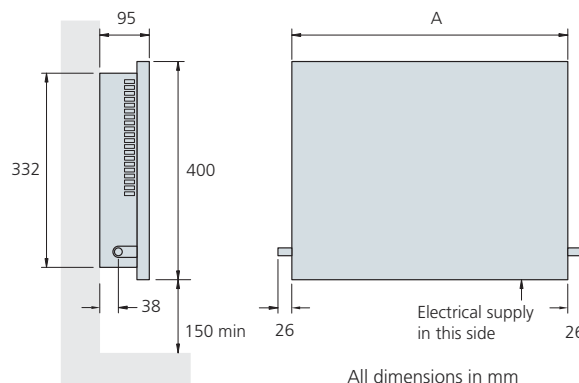
### Accessory

Wall-mounted room thermostat.

See Glossary on page 46 for further information on Accessories



Wall-mounted room thermostat



Model	A
Eco-Powerad 500	485
Eco-Powerad 1000	845
Eco-Powerad 1500	1210
Eco-Powerad 2000	1570