

Sterling

The Sterling fan-assisted electric heater is a great low cost solution providing effective and dependable heating for both small and large commercial areas, fitted unobtrusively above head height. It has been designed for rooms with limited lower wall space, such as shops and libraries, in mind.



Model	Heat Output (kW)	Power Consumption (kW)	Fused Spur	Mains Cable (m)	Sound Levels (dBA)	Casing Colour	Fan-Only
Electric							
Sterling E 3kW	1kW/2kW/3kW	1kW/2kW/3kW	13A	n/a	39	White	•

Sound levels measured at 1.5m with the product installed at 2.2m high

Model	Packed Weight
Sterling E 3kw	4KG

Sterling Electric

Finish

Outer casing 0.9mm zinc-coated steel. Polyester powder coated.

Paint specification: textured white, BS 4800 00A01 18% gloss

Side panels: Polymer - white

Installation

- Recommended installation height 2.3m (7ft 6") to underside
- Not suitable for bathrooms and other high humidity areas
- Angled mounting (optional)
- 13 amp fused spur required
- Unit must be earthed

Controls

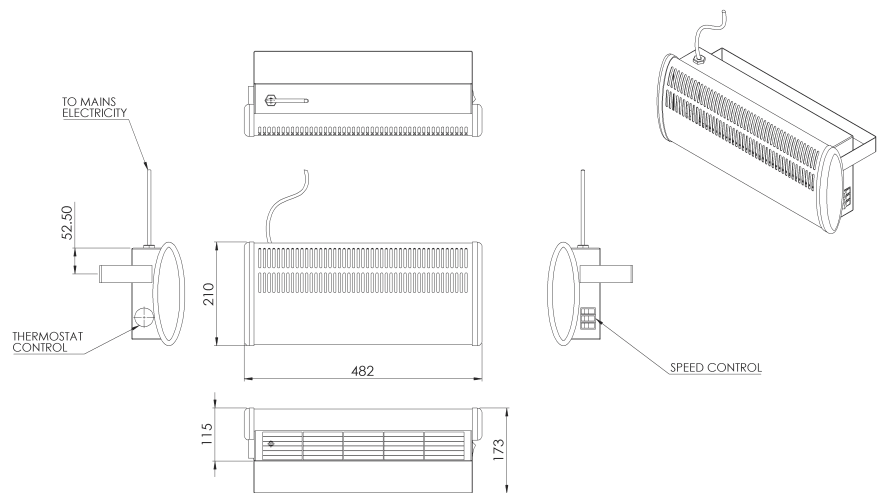
Rocker switches for fan and element - fan-only/1kW/2kW/3kW

Built-in room thermostat

Overheat protection: thermal cut-out.

Manual reset procedure: switch power off at mains, wait 20 minutes, switch power on.

Sterling Electric E 3kW



All dimensions in mm

Additional information

Electric fan-assisted heaters cost around 15p per hour for each 1kW of heat.

Hydronic versions available - see page 20