

Aegean SVFC 500



A range of fan coil units suitable for all kinds of commercial applications, from restaurants and hotels to office developments, with the ability to rapidly heat and cool large areas with much greater efficiency than other similar heating and cooling systems.



Fan Coils provide heating and cooling solutions for a wide range of applications. Fan coils can use either chilled water, or refrigerant to provide cooling but are generally associated with chilled water. Using just chilled water as the cooling medium means that maintenance and checking associated with the FGas regulations are not necessary.

Fan coils can use a slightly lower grade chilled water than that traditionally employed and are hence, in cooling mode, capable of providing cooling in conjunction with a reverse cycle heat pump or making use of free cooling from either a dry cooler or free cooling chiller.

Similar to the cooling medium, although fan coil units are capable of providing heating using either hot water or refrigerant, they are usually supplied with low temperature hot water.

Incorporating the latest EC motor technology, which can result in running-cost savings as high as 80%, and with variable speed control as standard, the Aegean delivers heat quickly and quietly.

Aegean with its EC fans is very efficient and fully comply with the Part L of the Building Regulations (2010). By using the variable fan speed, unoccupied setbacks etc using the precise control provided by the BMS interfaces further energy consumption can be achieved.

Features

- EC motor for BMS compliance
- Low sound levels
- Fully attenuated discharge plenum
- Positive fall drain tray
- Designed and made in the UK
- For bespoke specifications, including electric heating capability please contact us to discuss your requirements

Applications

Suitable for the following commercial application areas:

- Office buildings
- Hotels
- Restaurants
- Department stores
- Shopping malls

Finish

Chassis manufactured from 1.2mm hot dipped galvanised steel
All flanges formed inward facing to prevent exposure to bare metal edges

Installation

Flow and return connections 15mm
Designed for system pressures up to 10 bar
Fan coils are 4-pipe coils (heating and cooling circuit)

Customised requirements

All leading manufacturers controls factory fitted
Acoustically lined inlet plenum
Rectangular spigot connection
Concealed/hidden applications (underfloor, behind false walls and ceilings)
Fresh air spigot
Electric heat
Bespoke options

Specification

To specify state:
Vertical Fan Coil Unit 500mm high with EC motor.
As Smith's Aegean SVFC50010 (or SVFC50020, SVFC50025, SVFC50030, SVFC50040, SVFC50050, SVFC50055, SVFC50060)

Aegean SVFC 500

A range of fan coil units suitable for all kinds of commercial applications, from restaurants and hotels to office developments, with the ability to rapidly heat and cool large areas with much greater efficiency than other similar heating and cooling systems.



Fan



Controls enclosure



Heat exchanger



Fan mounted inside



Condensate drip tray

Construction

Chassis manufactured from 1.2mm hot dipped galvanised steel. All flanges formed inward facing to prevent exposure to bare metal edges.

Access is provided for maintenance of the fan/motor assembly and also to the coil and condensate tray.

Chassis incorporates an integral discharge plenum chamber. Spigots provided as standard and fixed in the required position.

Fans

Fans are direct drive, double inlet (SFC235, SFC260 and SVFC500), forward curved centrifugal type. Both the fan scroll and impeller are galvanised steel. Fan and motor assemblies mounted separately to the fan deck and allows individual removal for non-routine maintenance or replacement. Each fan and motor assembly is statically and dynamically balanced and fitted with neoprene rubber and vibration mounts.

Fan motors

Motors are external rotor EC commutated. The power factor is a minimum of 0.9. Motors have maintenance free and sealed-for-life bearings.

Motors are internally electronically overload protected and insulation conforms with EN 60335-1 class B.

Speed controls

Variable speed control and illuminated on/off switch as standard (additional optional range available including water side/air side controls).

Heat exchangers

Coils are manufactured from seamless 3/8" copper tube mechanically expanded into accurately pre-formed collars in aluminium fins giving maximum heat transfer capability.

All coils are circuited counter flow and bottom to top to optimise output and provide free venting/draining. Each coil has been fitted with a manual air vent and drain plug. Coil connection handling is dictated against direction of air flow. Coil termination is 15mm o/d plain copper tails at 40mm centres for fitting to industry standard water control valves. Tails pass through an aluminium support plate to provide extra rigidity and terminate within the profile of the unit to prevent transit/site damage. Every coil is leak tested to 21 bar gauge at point of manufacture and additionally to 7 bar gauge c/w valve assembly.

Condensate drip tray

The condensate drip tray is manufactured from 1.2mm hot dipped galvanised steel welded at each corner. The tray is fully insulated against external condensation and have a positive fall to a 15mm plain copper drain point, ensuring effective draining when the unit is installed correctly. The tray covers the entire coil and valve assembly. The connection point is located within the profile of the unit to avoid transit/site damage.

Filters

Filters are easily removable for routine maintenance, cleaning or replacement. Filter media is to EU2 to Eurovent 4/5 (EN779 Rating – G2). If specified filters with EU3 Eurovent (EN779 Rating – G3) can be specified.

Controls enclosure

Where possible all controls are fitted to a control back plate, which in turn, is mounted within the electrical enclosure. The enclosure has easy access from both sides and below. The whole electrical enclosure, including switches is located within the profile of the unit to prevent transit/site damage.

Accessories

The standard base unit does not include any temperature controls, modulating valves or transformers.

These parts are all fitted as requested and specified by the contractor.

Aegean SVFC 500



A range of fan coil units suitable for all kinds of commercial applications, from restaurants and hotels to office developments, with the ability to rapidly heat and cool large areas with much greater efficiency than other similar heating and cooling systems.

Cooling capacities

Unit Model	Fan speed	Chilled water temp. 5.5°C/11°C					
		Entering air temp. °C db/RH					
		22/50%		23/50%		24/50%	
		Total kW	Sens kW	Total kW	Sens kW	Total kW	Sens kW
SVFC 50010	1	0.88	0.71	0.96	0.79	1.06	0.89
	2	1.01	0.83	1.12	0.94	1.29	1.11
	3	1.15	0.97	1.28	1.10	1.51	1.33
	4	1.19	1.01	1.37	1.18	1.65	1.46
	5	1.16	0.97	1.75	1.52	1.69	1.50
SVFC 50020	1	1.36	1.08	1.47	1.19	1.63	1.35
	2	1.76	1.40	1.94	1.57	2.21	1.84
	3	2.19	1.76	2.41	1.98	2.76	2.32
	4	2.40	1.96	2.66	2.23	3.04	2.60
	5	2.45	2.05	2.93	2.52	3.19	2.80
SVFC 50025	1	1.84	1.45	1.98	1.59	2.20	1.81
	2	2.52	1.96	2.76	2.20	3.13	2.57
	3	3.24	2.55	3.54	2.85	4.00	3.31
	4	3.61	2.92	3.96	3.27	4.43	3.75
	5	3.74	3.14	4.12	3.52	4.69	4.09
SVFC 50030	1	1.98	1.55	2.14	1.71	2.38	1.95
	2	2.72	2.11	2.97	2.36	3.35	2.74
	3	3.62	2.81	3.93	3.12	4.45	3.64
	4	4.39	3.38	4.80	3.79	5.39	4.38
	5	4.62	3.67	5.04	4.09	5.69	4.74
SVFC 50040	1	3.19	2.47	3.39	2.67	3.78	3.06
	2	4.19	3.18	4.80	3.79	5.11	4.10
	3	5.90	4.48	6.37	4.95	7.09	5.67
	4	6.57	5.05	7.10	5.57	7.89	6.37
	5	6.64	5.21	7.21	5.78	8.07	6.64
SVFC 50050	1	3.37	2.70	3.66	2.99	4.07	3.40
	2	4.36	3.43	4.74	3.81	5.33	4.40
	3	6.17	4.84	6.73	5.40	7.60	6.27
	4	7.06	5.54	7.72	6.19	8.64	7.12
	5	7.74	6.12	8.49	6.87	9.38	7.76
SVFC 50055	1	3.70	2.92	4.01	3.23	4.48	3.70
	2	5.39	4.20	5.85	4.66	6.58	5.39
	3	7.21	5.62	7.84	6.25	8.77	7.18
	4	8.16	6.44	8.94	7.22	9.81	8.09
	5	8.92	7.25	9.69	8.02	10.79	9.12
SVFC 50060	1	5.31	4.11	5.74	4.54	6.36	5.16
	2	7.57	5.77	8.09	6.29	9.06	7.26
	3	9.40	7.28	10.08	7.96	11.13	9.01
	4	10.43	8.22	11.24	9.02	12.40	10.19
	5	10.88	8.70	11.75	9.57	13.04	10.86

Unit Model	Fan speed	Chilled water temp. 6°C/12°C					
		Entering air temp. °C db/RH					
		22/50%		23/50%		24/50%	
		Total kW	Sens kW	Total kW	Sens kW	Total kW	Sens kW
SVFC 50010	1	0.45	0.45	0.90	0.79	0.65	0.65
	2	0.56	0.56	0.694	0.694	0.85	0.85
	3	0.71	0.71	0.84	0.84	1.08	1.08
	4	0.80	0.80	0.986	0.986	1.26	1.26
	5	1.00	1.00	1.61	1.42	1.74	1.74
SVFC 50020	1	0.71	0.71	1.01	0.95	0.98	0.98
	2	0.94	0.94	1.12	1.12	1.36	1.36
	3	1.21	1.21	1.44	1.44	1.79	1.79
	4	1.47	1.47	1.70	1.70	2.15	2.15
	5	1.89	1.89	2.40	2.30	2.73	2.73
SVFC 50025	1	0.96	0.96	1.11	1.11	1.31	1.31
	2	1.32	1.32	1.55	1.55	1.86	1.86
	3	1.72	1.72	2.03	2.03	2.50	2.50
	4	2.15	2.15	2.41	2.41	3.04	3.04
	5	2.79	2.79	3.18	3.18	3.71	3.71
SVFC 50030	1	0.95	0.95	1.18	1.18	1.39	1.39
	2	1.53	1.53	1.76	1.76	2.12	2.12
	3	1.91	1.91	2.23	2.23	2.76	2.76
	4	2.41	2.41	2.79	2.79	3.44	3.44
	5	3.09	3.09	3.30	3.30	3.79	3.79
SVFC 50040	1	1.58	1.58	1.84	1.84	2.12	2.12
	2	2.11	2.11	2.47	2.47	3.03	3.03
	3	2.97	2.97	3.48	3.48	4.22	4.22
	4	3.41	3.41	4.03	4.03	4.86	4.86
	5	3.63	3.63	4.28	4.28	5.17	5.17
SVFC 50050	1	1.74	1.74	2.05	2.05	2.44	2.44
	2	2.30	2.30	2.67	2.67	3.25	3.25
	3	3.19	3.19	3.78	3.78	4.56	4.56
	4	3.73	3.73	4.42	4.42	5.38	5.38
	5	4.19	4.19	5.01	5.01	6.00	6.00
SVFC 50055	1	1.92	1.92	2.23	2.23	2.78	2.78
	2	2.81	2.81	3.25	3.25	3.96	3.96
	3	3.72	3.72	4.37	4.37	5.32	5.32
	4	4.33	4.33	5.09	5.09	6.17	6.17
	5	4.98	4.98	5.83	5.83	6.90	6.90
SVFC 50060	1	2.23	2.23	3.12	3.12	3.80	3.80
	2	3.35	3.35	4.37	4.37	4.89	4.89
	3	4.84	4.84	5.62	5.62	6.66	6.66
	4	5.65	5.65	6.45	6.45	7.62	7.62
	5	6.04	6.04	6.91	6.91	8.16	8.16

- A) Duties are based on 30 Pa ESP.
- B) Refer to air Volume & Cooling Correction Factors chart for alternative ESP conditions.
- C) For alternative chilled water conditions please contact Smith's Environmental Systems Ltd.
- D) For full technical selection schedules including water flow rate and pressure drops, please contact Smith's Environmental Systems Ltd.

Aegean SVFC 500



A range of fan coil units suitable for all kinds of commercial applications, from restaurants and hotels to office developments, with the ability to rapidly heat and cool large areas with much greater efficiency than other similar heating and cooling systems.

Cooling capacities

Unit Model	Fan speed	Chilled water temp. 11°C/15°C					
		Entering air temp. °C db/RH					
		22/50%		23/50%		24/50%	
		Total kW	Sens kW	Total kW	Sens kW	Total kW	Sens kW
SVFC 50010	1	0.50	0.50	0.55	0.55	0.64	0.64
	2	0.59	0.59	0.69	0.69	0.78	0.78
	3	0.77	0.77	0.84	0.84	0.96	0.96
	4	0.83	0.83	0.99	0.99	1.13	1.13
	5	0.92	0.92	1.13	1.13	1.28	1.28
SVFC 50020	1	0.74	0.74	0.83	0.83	0.93	0.93
	2	0.98	0.98	1.12	1.12	1.26	1.26
	3	1.28	1.28	1.44	1.44	1.62	1.62
	4	1.46	1.46	1.70	1.70	1.91	1.91
	5	1.64	1.64	2.16	2.16	2.34	2.34
SVFC 50025	1	0.98	0.98	1.11	1.11	1.22	1.22
	2	1.36	1.36	1.55	1.55	1.74	1.74
	3	1.79	1.79	2.03	2.03	2.28	2.28
	4	2.10	2.10	2.41	2.41	2.70	2.70
	5	2.35	2.35	3.18	3.18	3.39	3.39
SVFC 50030	1	1.02	1.02	1.18	1.18	1.31	1.31
	2	1.47	1.47	1.76	1.76	1.86	1.86
	3	1.96	1.96	2.23	2.23	2.49	2.49
	4	2.43	2.43	2.79	2.79	3.10	3.10
	5	2.69	2.69	3.08	3.08	3.47	3.47
SVFC 50040	1	1.68	1.68	1.84	1.84	2.04	2.04
	2	2.19	2.19	2.47	2.47	2.77	2.77
	3	3.08	3.08	3.48	3.48	3.88	3.88
	4	3.54	3.54	4.03	4.03	4.48	4.48
	5	3.75	3.75	4.28	4.28	5.26	5.26
SVFC 50050	1	1.82	1.82	2.05	2.05	2.27	2.27
	2	2.35	2.35	2.67	2.67	2.99	2.99
	3	3.32	3.32	3.78	3.78	4.21	4.21
	4	3.88	3.88	4.42	4.42	4.94	4.94
	5	4.37	4.37	5.01	5.01	5.59	5.59
SVFC 50055	1	1.98	1.98	2.23	2.23	2.48	2.48
	2	2.86	2.86	3.25	3.25	3.63	3.63
	3	3.86	3.86	4.37	4.37	4.88	4.88
	4	4.48	4.48	5.09	5.09	5.69	5.69
	5	5.14	5.14	5.83	5.83	6.46	6.46
SVFC 50060	1	2.77	2.77	3.12	3.12	3.46	3.46
	2	3.92	3.92	4.37	4.37	4.91	4.91
	3	5.09	5.09	5.62	5.62	6.21	6.21
	4	5.77	5.77	6.45	6.45	7.13	7.13
	5	6.16	6.16	6.91	6.91	7.67	7.67

Heating capacities

Unit Model	Fan speed	Entering air temp 20°C db	
		LPHW 82/71°C	LPHW 60/50°C
		SVFC 50010	1
SVFC 50010	2	0.84	0.44
	3	1.13	0.6
	4	1.61	0.89
	5	1.85	1.04
	SVFC 50020	1	0.91
2		1.3	0.74
3		1.75	1.03
4		2.1	1.23
5		2.24	1.31
SVFC 50025	1	1.42	0.82
	2	1.99	1.17
	3	2.57	1.5
	4	3.04	1.77
	5	3.43	2
SVFC 50030	1	1.53	0.91
	2	2.2	1.31
	3	2.79	1.66
	4	3.71	2.2
	5	4.27	2.53
SVFC 50040	1	2.14	1.29
	2	3.16	1.89
	3	4.39	2.63
	4	5.25	3.13
	5	5.86	3.49
SVFC 50050	1	2.19	1.23
	2	3.26	1.91
	3	4.37	2.57
	4	5.56	3.26
	5	6.28	3.67
SVFC 50055	1	2.77	1.59
	2	4.17	2.45
	3	5.72	3.36
	4	6.67	3.9
	5	7.4	4.32
SVFC 50060	1	3.38	2
	2	5.21	3.08
	3	7.04	4.15
	4	8.08	4.76
	5	8.85	5.2

- A) Duties are based on 30 Pa ESP.
- B) Refer to air Volume & Cooling Correction Factors chart for alternative ESP conditions.
- C) For alternative chilled water conditions please contact Smith's Environmental Systems Ltd.
- D) For full technical selection schedules including water flow rate and pressure drops, please contact Smith's Environmental Systems Ltd.

- A) Duties above are based on 30 Pa ESP.
- B) For alternative ESP conditions, please contact Smith's Environmental Systems Ltd.
- C) For alternative 'air on' temperatures, calculate the factor as below and multiply by mean basic rating to obtain new capacity.
Factor: Calculate the mean water temperature (i.e. EWT/LWT of 60°/50°C = 55 EWT/LWT of 82°/71°C = 76.5) minus the required 'air on' temperature.
Example: For an 'air on' temperature of 19°C and EWT/LWT of 60°/50°C then the calculation would be 55 - 19 = 36. Therefore, to attain the capacity of SVFC 50 at speed 3, take the mean basic rating (0.0734) and multiply by factor(36); 0.0734 x 36 = 2.64 kW.
- D) For full technical selection schedules including water flow rates & pressure drops please contact Smith's.
- E) Duties are based on a standard 4-tube heating circuit. Larger duties are achievable by increasing heating coil circuitry. Please contact Smith's for further details.

Aegean SVFC 500



A range of fan coil units suitable for all kinds of commercial applications, from restaurants and hotels to office developments, with the ability to rapidly heat and cool large areas with much greater efficiency than other similar heating and cooling systems.

Cooling correction factors

Unit Model	Fan speed	Cooling duty correction factors									
		10 Pa		20 Pa		30Pa		40 Pa		50 pa	
		Tot Clg	Sens Clg	Tot Clg	Sens Clg	Tot Clg	Sens Clg	Tot Clg	Sens Clg	Tot Clg	Sens Clg
SVFC 50010	1	N/A	N/A	N/A	N/A	N/A	N/A	N/A	N/A	N/A	N/A
	2	1.13	1.16	1.07	1.09	1.00	1.00	0.94	0.93	0.90	0.88
	3	1.09	1.11	1.05	1.05	1.00	1.00	0.96	0.95	0.91	0.90
	4	1.05	1.05	1.02	1.02	1.00	1.00	0.97	0.96	0.94	0.93
	5	1.05	1.05	1.02	1.02	1.00	1.00	0.99	0.98	0.97	0.96
SVFC 50020	1	1.14	1.18	1.09	1.11	1.00	1.00	0.94	0.93	0.89	0.87
	2	1.09	1.11	1.04	1.04	1.00	1.00	0.97	0.96	0.93	0.92
	3	1.07	1.09	1.05	1.05	1.00	1.00	0.97	0.97	0.95	0.94
	4	1.05	1.06	1.03	1.03	1.00	1.00	0.98	0.98	0.96	0.95
	5	1.02	1.03	1.01	1.01	1.00	1.00	0.98	0.98	0.96	0.95
SVFC 50025	1	1.13	1.16	1.04	1.04	1.00	1.00	0.92	0.91	0.88	0.85
	2	1.05	1.06	1.02	1.03	1.00	1.00	0.94	0.93	0.90	0.88
	3	1.07	1.09	1.03	1.03	1.00	1.00	0.98	0.98	0.93	0.92
	4	1.03	1.03	1.02	1.02	1.00	1.00	0.95	0.94	0.93	0.92
	5	1.05	1.05	1.03	1.03	1.00	1.00	0.99	0.98	0.97	0.96
SVFC 50030	1	1.13	1.16	1.05	1.06	1.00	1.00	0.92	0.91	0.88	0.85
	2	1.05	1.06	1.02	1.03	1.00	1.00	0.96	0.95	0.91	0.90
	3	1.07	1.09	1.03	1.03	1.00	1.00	0.97	0.97	0.94	0.93
	4	1.05	1.06	1.02	1.02	1.00	1.00	0.98	0.98	0.94	0.93
	5	1.02	1.03	1.02	1.02	1.00	1.00	0.97	0.97	0.95	0.94
SVFC 50040	1	1.13	1.16	1.07	1.09	1.00	1.00	0.93	0.92	0.88	0.85
	2	1.09	1.11	1.03	1.03	1.00	1.00	0.95	0.94	0.90	0.88
	3	1.05	1.06	1.03	1.03	1.00	1.00	0.97	0.96	0.93	0.92
	4	1.05	1.06	1.02	1.02	1.00	1.00	0.98	0.98	0.96	0.95
	5	1.03	1.03	1.02	1.02	1.00	1.00	0.98	0.98	0.96	0.95
SVFC 50050	1	1.13	1.17	1.09	1.11	1.00	1.00	0.90	0.88	0.88	0.85
	2	1.08	1.10	1.05	1.06	1.00	1.00	0.95	0.94	0.90	0.88
	3	1.07	1.09	1.05	1.05	1.00	1.00	0.97	0.96	0.94	0.92
	4	1.04	1.04	1.02	1.02	1.00	1.00	0.97	0.97	0.95	0.94
	5	1.03	1.03	1.01	1.01	1.00	1.00	0.98	0.98	0.97	0.96
SVFC 50055	1	1.13	1.16	1.07	1.09	1.00	1.00	0.93	0.92	0.88	0.85
	2	1.07	1.09	1.02	1.03	1.00	1.00	0.94	0.93	0.89	0.87
	3	1.05	1.06	1.02	1.03	1.00	1.00	0.96	0.95	0.93	0.92
	4	1.03	1.03	1.01	1.01	1.00	1.00	0.99	0.98	0.96	0.95
	5	1.02	1.03	1.01	1.01	1.00	1.00	0.99	0.98	0.97	0.97
SVFC 50060	1	1.14	1.18	1.08	1.10	1.00	1.00	0.95	0.94	0.87	0.85
	2	1.08	1.10	1.03	1.03	1.00	1.00	0.96	0.95	0.90	0.88
	3	1.07	1.09	1.03	1.04	1.00	1.00	0.97	0.96	0.92	0.91
	4	1.04	1.04	1.01	1.01	1.00	1.00	0.98	0.98	0.96	0.95
	5	1.04	1.04	1.02	1.02	1.00	1.00	0.99	0.98	0.97	0.96

- A) Cooling correction factors to be applied to cooling capacities to provide duty for the required ESP condition.
 B) For alternative ESP conditions please contact Smith's Environmental Systems Ltd.

Aegean SVFC 500



A range of fan coil units suitable for all kinds of commercial applications, from restaurants and hotels to office developments, with the ability to rapidly heat and cool large areas with much greater efficiency than other similar heating and cooling systems.

Acoustic Data

Unit Model	Fan speed		Octave Band Mid Frequency (Hz)								NR guide	
			63	125	250	500	1k	2k	4k	8k		
SVFC 50010	1	Inlet & Casing	51	51	42	40	30	20	18	20	34	
		Discharge	42	36	32	28	26	19	18	14	34	
	2	Inlet & Casing	51	52	45	43	35	25	14	21	34	
		Discharge	42	37	36	34	34	24	19	18	38	
	3	Inlet & Casing	54	56	47	47	37	31	26	23	37	
		Discharge	45	42	40	41	39	29	21	19	37	
	4	Inlet & Casing	52	57	51	53	43	36	30	23	42	
		Discharge	45	45	43	42	42	32	28	21	42	
	5	Inlet & Casing	54	58	51	55	46	43	35	25	45	
		Discharge	47	48	47	40	46	36	30	23	44	
SVFC 50020	1	Inlet & Casing	53	51	42	40	31	22	20	22	35	
		Discharge	44	40	32	31	23	23	22	20	35	
	2	Inlet & Casing	54	55	45	46	35	28	20	23	37	
		Discharge	45	43	36	37	31	20	22	25	37	
	3	Inlet & Casing	60	59	47	51	40	33	28	24	37	
		Discharge	50	45	38	41	40	28	22	25	37	
	4	Inlet & Casing	60	63	48	49	45	40	31	24	41	
		Discharge	51	47	41	46	43	33	28	25	41	
	5	Inlet & Casing	59	62	50	54	49	44	35	27	44	
		Discharge	52	48	43	46	47	36	35	29	44	
SVFC 50025	1	Inlet & Casing	48	47	50	47	42	33	27	31	36	
		Discharge	45	39	43	42	35	30	25	29	36	
	2	Inlet & Casing	52	48	51	50	44	38	30	28	41	
		Discharge	45	39	43	42	42	34	26	28	40	
	3	Inlet & Casing	53	53	52	53	48	41	37	26	44	
		Discharge	48	42	47	46	45	39	33	32	43	
	4	Inlet & Casing	52	52	55	53	50	45	40	30	45	
		Discharge	45	43	49	49	48	39	38	34	45	
	5	Inlet & Casing	52	53	58	58	55	49	45	36	50	
		Discharge	50	46	52	50	52	45	43	39	49	
SVFC 50030	1	Inlet & Casing	50	48	48	50	45	36	28	30	39	
		Discharge	50	45	46	44	39	31	26	31	38	
	2	Inlet & Casing	53	52	53	51	46	41	30	32	43	
		Discharge	48	42	45	45	42	32	24	31	42	
	3	Inlet & Casing	54	53	54	55	48	43	38	30	45	
		Discharge	50	47	48	47	43	37	30	30	45	
	4	Inlet & Casing	54	55	56	56	52	49	41	30	46	
		Discharge	50	46	51	51	48	42	35	33	46	
	5	Inlet & Casing	53	55	56	59	54	49	47	38	47	
		Discharge	50	49	52	51	51	45	41	38	47	

Unit Model	Fan speed		Octave Band Mid Frequency (Hz)								NR guide	
			63	125	250	500	1k	2k	4k	8k		
SVFC 50040	1	Inlet & Casing	55	55	55	52	45	39	28	33	41	
		Discharge	53	48	51	48	43	32	27	32	40	
	2	Inlet & Casing	58	57	56	55	47	41	34	33	41	
		Discharge	53	47	50	47	44	38	31	31	40	
	3	Inlet & Casing	56	56	56	55	48	44	38	30	46	
		Discharge	52	48	51	51	50	43	34	36	45	
	4	Inlet & Casing	56	57	57	55	51	46	44	36	48	
		Discharge	52	50	54	51	51	48	41	42	47	
	5	Inlet & Casing	57	58	59	59	55	52	50	42	52	
		Discharge	54	51	57	54	55	51	47	45	51	
SVFC 50050	1	Inlet & Casing	59	56	55	55	48	44	29	34	41	
		Discharge	52	49	50	44	38	30	27	32	40	
	2	Inlet & Casing	59	58	57	55	52	48	36	36	44	
		Discharge	55	50	48	47	44	34	25	31	43	
	3	Inlet & Casing	59	60	58	59	54	50	42	34	48	
		Discharge	56	53	54	50	47	38	34	33	47	
	4	Inlet & Casing	59	60	57	60	57	54	48	51	48	
		Discharge	57	54	54	53	52	41	39	37	48	
	5	Inlet & Casing	59	62	62	61	67	58	52	43	52	
		Discharge	57	56	56	54	52	49	45	45	51	
SVFC 50055	1	Inlet & Casing	56	58	61	58	53	50	34	35	44	
		Discharge	55	51	54	46	44	35	28	35	43	
	2	Inlet & Casing	59	59	60	60	56	53	44	35	46	
		Discharge	55	53	54	50	48	43	32	36	46	
	3	Inlet & Casing	56	58	57	61	58	57	49	36	49	
		Discharge	56	52	56	52	51	48	43	41	49	
	4	Inlet & Casing	57	60	59	61	59	59	51	46	51	
		Discharge	57	56	59	55	54	51	48	46	50	
	5	Inlet & Casing	59	63	63	63	62	60	58	50	54	
		Discharge	58	57	60	57	60	54	49	49	53	
SVFC 50060	1	Inlet & Casing	59	59	59	60	53	47	40	35	45	
		Discharge	56	52	57	51	47	38	28	34	44	
	2	Inlet & Casing	62	60	62	60	57	55	46	36	48	
		Discharge	58	52	57	54	51	45	39	36	47	
	3	Inlet & Casing	62	62	62	63	59	56	51	38	52	
		Discharge	61	54	58	55	55	52	43	45	51	
	4	Inlet & Casing	62	61	63	63	63	61	54	48	52	
		Discharge	62	57	60	58	57	55	49	51	51	
	5	Inlet & Casing	59	62	62	65	63	62	58	52	55	
		Discharge	64	60	62	57	62	57	58	57	54	

A) The acoustic data provided is based on an ESP of 30 Pa.
 B) Inlet & casing figures are sound power levels (SWL DB ref 10⁻¹² W).
 The following factors have been applied to the discharge sound spectrum state to allow for ductwork, plenum and grille:

63	125	250	500	1k	2k	4k	8k	(Hz)
-5	-5	-5	-9	-12	-12	-12	-3	(dB)

(Add factors back into discharge spectrum to return to sound power levels)

- C) NR figures are given for guide purposes only and cannot relate to every given application. We recommend that the advice of an acoustic engineer is sought on individual projects in order to obtain accurate NR levels for a given space.
- D) Consideration must be given to spigot connection number and dimensions in order to achieve acceptable air velocities (2.5m/s or below). This includes connected ductwork as increased velocity will in turn increase sound levels.

Aegean SVFC 500

A range of fan coil units suitable for all kinds of commercial applications, from restaurants and hotels to office developments, with the ability to rapidly heat and cool large areas with much greater efficiency than other similar heating and cooling systems.

Air volumes

Unit Model	Fan speed	Air Volume l/s V's ESP				
		10 Pa	20 Pa	30 Pa	40 Pa	50 Pa
SVFC 50010	1	40	N/A	N/A	N/A	N/A
	2	63	57	52	48	44
	3	82	75	70	66	61
	4	108	104	101	96	92
	5	129	125	121	119	115
SVFC 50020	1	68	62	54	49	45
	2	89	83	78	74	70
	3	117	112	105	101	92
	4	137	132	126	116	108
	5	153	145	135	128	119
SVFC 50025	1	101	90	85	76	67
	2	130	125	120	110	101
	3	170	162	155	150	140
	4	212	200	195	182	175
	5	252	246	235	230	223
SVFC 50030	1	113	98	90	80	71
	2	153	138	130	122	114
	3	192	181	165	158	150
	4	238	229	220	214	202
	5	282	277	270	260	251
SVFC 50040	1	151	137	125	113	99
	2	212	195	185	172	157
	3	282	270	258	245	232
	4	345	330	320	309	300
	5	400	391	380	368	358
SVFC 50050	1	169	148	130	112	103
	2	231	210	195	182	165
	3	290	280	262	252	244
	4	355	345	335	322	310
	5	415	404	395	385	375
SVFC 50055	1	202	182	165	148	130
	2	280	261	250	228	208
	3	372	358	345	325	310
	4	455	445	435	425	408
	5	530	520	510	500	488
SVFC 50060	1	252	225	200	186	162
	2	368	334	310	290	265
	3	470	450	425	402	380
	4	560	542	530	515	500
	5	645	625	608	596	580

A) Refer to air volumes at 30 Pa ESP for cooling capacity charts

B) Refer to appropriate ESP condition when applying correction factors to cooling capacity.



Power input and starting/running currents

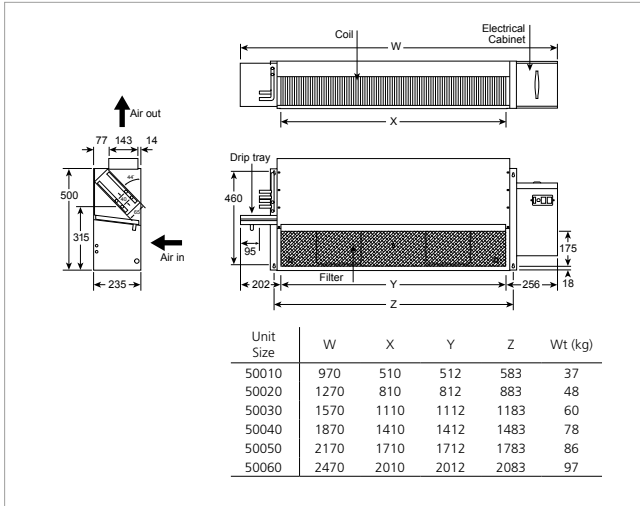
Model (kW)	Number of fans	Watts	Max. starting current (Amps)	Max. running current (Amps)
SVFC 50010	1	65	0.5	0.5
SVFC 50020	1	65	0.5	0.5
SVFC 50025	2	130	1	1
SVFC 50030	2	130	1	1
SVFC 50040	3	195	1.5	1.5
SVFC 50050	3	195	1.5	1.5
SVFC 50055	4	260	2	2
SVFC 50060	5	325	2.5	2.5

Based on 230/1/50 supply and 30Pa ESP at maximum speed

Aegean SVFC 500

A range of fan coil units suitable for all kinds of commercial applications, from restaurants and hotels to office developments, with the ability to rapidly heat and cool large areas with much greater efficiency than other similar heating and cooling systems.

Dimensions



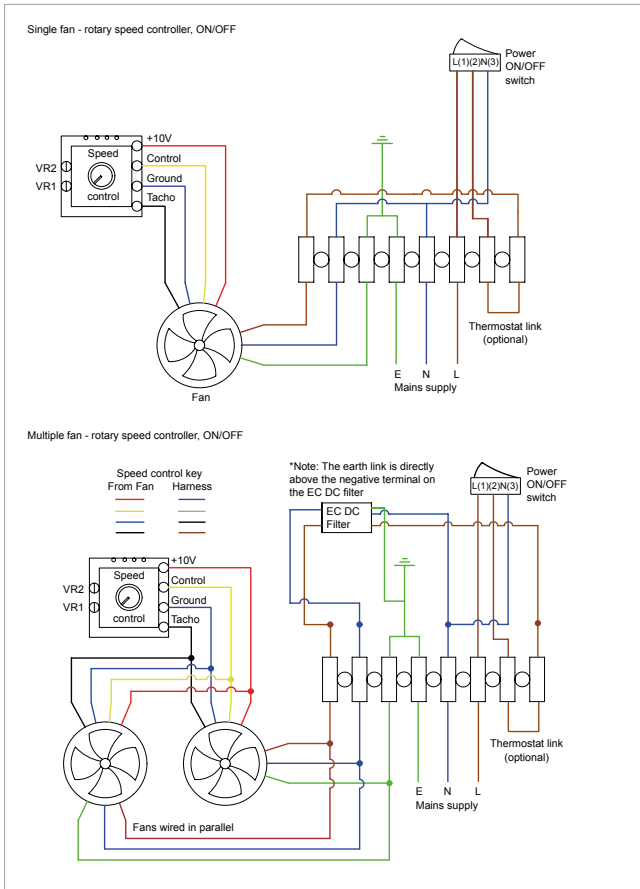
Ordering guide

Listed below are the basic models. For all other variants please visit our website for the most up to date information.

Description	Weight (Kg)	Product code
Aegean SVFC 500		
Aegean SVFC500EC/10	37	HPAE20020
Aegean SVFC500EC/20	48	HPAE20021
Aegean SVFC500EC/25	52	HPAE20022
Aegean SVFC500EC/30	60	HPAE20023
Aegean SVFC500EC/40	78	HPAE20024
Aegean SVFC500EC/50	86	HPAE20025
Aegean SVFC500EC/55	92	HPAE20026
Aegean SVFC500EC/60	97	HPAE20027

For bespoke specifications, including electric heating capability please contact us to discuss your requirements

Electrical data - Wiring diagram



As part our commitment to continuous improvement Smith's Environmental Products may change the specifications of its products without prior notification or public announcement. All descriptions, illustrations, drawings and specifications in this publication present only general particulars and shall not form part of any contract. All dimensions are in mm unless otherwise stated.