

Sargasso A

An elegant alternative solution to traditional wall mounted radiators, convection heaters and air conditioning systems.



Features

- Suitable for use in both Standard T and Micro T system ceilings
- Each panel individually packaged for protection
- Loop panel width 595mm; available in lengths 595mm, 1195mm, 1795mm, 2395mm and 2995mm.
- Panel performance to be supported by independent test certification to EN 14037
- For bespoke specifications, including cooling capability please contact us to discuss your requirements

Benefits

- Create a more comfortable environment for occupants by creating an even temperature distribution across the room
- Save energy and money by achieving a higher perceived temperature than the actual room temperature
- Works well with lower temperature heating systems
- Provide an efficient solution offering a short heating and cooling time
- Installed within a ceiling or high on a wall they maximise wall and floor space
- Silent operation
- No dust/bacteria dispersal offering a hygienic solution
- Maintenance free
- Easy to clean so lower cleaning costs
- Integrated in plasterboard

Applications

- Offices
- Education
- Healthcare
- Leisure
- Transport
- Industrial

Finish

Material: 2mm high-grade aluminium extrusion, lightweight, robust, optimum response time.

Finish: RAL 9016 white powder coat.

Insulation: Rigid non-fibrous, foil-faced insulation to EN13165 fire rating A2.

Installation

Suitable for use in Micro T system and standard T-Grid ceiling ceilings. Please note that Sargasso is compatible with regular ceiling profiles, but not compatible with Tegular or Microlook ceilings.

Suspension:

Suitable for installation from drop rods (not supplied). Panels longer than 1200mm will require 3 fixing locations.

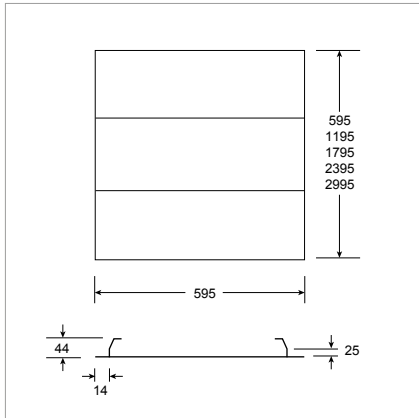
Specification

To specify state:

Radiant Panel in White (RAL 9016) at 600mm wide x 600mm (or 1200mm, 1800mm, 2400mm, 3000mm) long. As Smith's Sargasso A.

Sargasso A

An elegant alternative solution to traditional wall mounted radiators, convection heaters and air conditioning systems.



Heat output (Watts)

Model	Output at ΔT °C								Hangers required
	30	35	40	45	50	55	60	65	
600 x 600	105	126	148	170	194	217	242	266	4
600 x 1200	210	252	296	340	388	434	484	532	4
600 x 1800	315	378	444	510	582	651	726	798	4
600 x 2400	420	504	592	680	776	868	968	1064	6
600 x 3000	525	530	740	850	970	1086	1210	1330	6

Ordering guide

Description	Width (mm)	Length (mm)	Operating Weight including water (kg)	Kg/m ²	Product code
Sargasso A					
600mm loop panel	595	595	4.6	12.7	HPAE350000
1200mm loop panel	595	1195	9.1	12.7	HPAE350001
1800mm loop panel	595	1795	13.7	12.7	HPAE350002
2400mm loop panel	595	2395	18.3	12.7	HPAE350003
3000mm loop panel	595	2995	22.9	12.7	HPAE350004

As part our commitment to continuous improvement Smith's Environmental Products may change the specifications of its products without prior notification or public announcement. All descriptions, illustrations, drawings and specifications in this publication present only general particulars and shall not form part of any contract. All dimensions are in mm unless otherwise stated.