

Caspian LST

The LST solution for all properties under the Registered Homes Act 1984.

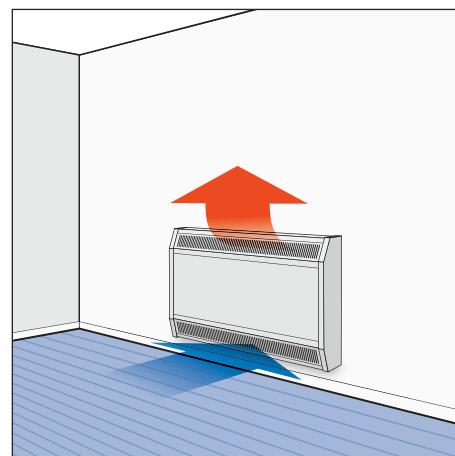
Smith's Caspian LST fan convector fully complies with the NHS Estates Health Guidance Notes, "Safe hot water and surface temperatures" (formally known as DN4) and its operation and compliance has been independently verified by BSRIA.

The Caspian LST is suitable for a range of low level installation projects in any NHS Estates premises including hospitals, clinics, surgeries and other health care premises where heat emitters whose maximum surface temperature does not exceed 43°C are required.

Incorporating the latest EC motor technology, the three models (120, 90 and 60) are all hydronic and plumb into any wet two-pipe central heating system whether conventional or renewable. The Caspian LST delivers heat quickly, efficiently and effectively and there is also a range of additional controls and accessories available, as required.



Caspian LST



Model	Heat Output at 80°			Heat Output at 75°			Heat Output at 70°		
	Low kW (Btu/h)	Medium kW (Btu/h)	High kW (Btu/h)	Low kW (Btu/h)	Medium kW (Btu/h)	High kW (Btu/h)	Low kW (Btu/h)	Medium kW (Btu/h)	High kW (Btu/h)
Caspian LST 60	1.0 (3400)	1.6 (5400)	2.2 (7400)	0.9 (3200)	1.4 (4900)	1.9 (6600)	0.8 (2900)	1.3 (4400)	1.7 (5900)
Caspian LST 90	3.0 (10200)	3.5 (11800)	3.9 (13400)	2.8 (9600)	3.2 (11100)	3.7 (12600)	2.6 (9000)	3.0 (10400)	3.5 (11800)
Caspian LST 120	5.0 (17000)	5.3 (18300)	5.7 (19500)	4.7 (16000)	5.1 (17300)	5.5 (18600)	4.4 (15100)	4.8 (16400)	5.2 (17700)
Caspian LST 150	6.2 (21200)	6.7 (22900)	7.2 (24600)	6.0 (20500)	6.5 (22200)	7.0 (23900)	5.7 (19400)	6.2 (21200)	6.7 (22900)
Caspian LST 180	7.7 (26300)	8.2 (28000)	8.7 (29700)	7.5 (25600)	8.0 (27300)	8.5 (29000)	7.2 (24600)	7.7 (26300)	8.2 (28000)

Model	Heat Output at 65°			Heat Output at 60°			Heat Output at 55°		
	Low kW (Btu/h)	Medium kW (Btu/h)	High kW (Btu/h)	Low kW (Btu/h)	Medium kW (Btu/h)	High kW (Btu/h)	Low kW (Btu/h)	Medium kW (Btu/h)	High kW (Btu/h)
Caspian LST 60	0.8 (2600)	1.1 (3900)	1.5 (5100)	0.7 (2400)	1.0 (3400)	1.3 (4400)	0.6 (2200)	0.8 (2900)	1.1 (3600)
Caspian LST 90	2.4 (8100)	2.8 (9500)	3.2 (10800)	2.1 (7300)	2.5 (8500)	2.9 (9800)	1.9 (6400)	2.2 (7600)	2.6 (8800)
Caspian LST 120	4.0 (13700)	4.4 (15100)	4.8 (16500)	3.6 (12200)	4.0 (13700)	4.4 (15200)	3.2 (10800)	3.6 (12300)	4.1 (13900)
Caspian LST 150	5.3 (18100)	5.8 (19800)	6.3 (21500)	4.9 (16700)	5.4 (18400)	5.9 (20100)	4.6 (15700)	5.1 (17400)	5.6 (19100)
Caspian LST 180	6.8 (23200)	7.3 (24900)	7.8 (26600)	6.4 (21800)	6.9 (23500)	7.4 (25300)	6.1 (20800)	6.6 (22500)	7.1 (24200)

Model	Heat Output at 50°		
	Low kW (Btu/h)	Medium kW (Btu/h)	High kW (Btu/h)
Caspian LST 60	0.6 (1900)	0.7 (2400)	0.8 (2900)
Caspian LST 90	1.6 (5600)	2.0 (6700)	2.3 (7800)
Caspian LST 120	2.8 (9400)	3.2 (10900)	3.7 (12600)
Caspian LST 150	4.2 (14300)	4.7 (16000)	5.2 (17700)
Caspian LST 180	5.7 (19400)	6.2 (21200)	6.7 (22900)

Heat Output testing based on BS EN442 using mean water temperature, 18°C entering air temperature, 10 deg temperature drop.

Model	Flow & Return Connections	Mains Cable	Transformer	Flexible Hoses	Isolation Valves	Fused Spur	Total Power Consumption			
							Low (Watts)	Medium (Watts)	High (Watts)	Water Capacity (Litres)
Caspian LST 60	22mm	n/a	n/a	n/a	n/a	3A	26	41	55	0.92
Caspian LST 90	22mm	n/a	n/a	n/a	n/a	3A	33	59	85	1.5
Caspian LST 120	22mm	n/a	n/a	n/a	n/a	3A	33	79	125	2.08
Caspian LST 150	22mm	n/a	n/a	n/a	n/a	3A	50	119	188	2.58
Caspian LST 180	22mm	n/a	n/a	n/a	n/a	3A	66	158	250	3.18

Model	Sound Levels			Casting Colour	Fan Only
	High (dBA)	Medium (dBA)	Low (dBA)		
Caspian LST 60	50	43	35	White	•
Caspian LST 90	53	45	37	White	•
Caspian LST 120	57	48	38	White	•
Caspian LST 150	59	47	36	White	•
Caspian LST 180	59	47	36	White	•

Model	Pressure Drop		
	High (kPa)	Medium (kPa)	Low (kPa)
Caspian LST 60	1.5	1.1	0.9
Caspian LST 90	3.9	2.3	1.6
Caspian LST 120	7.3	5.5	5.3
Caspian LST 150	8.6	6.8	6.2
Caspian LST 180	11.3	8.6	7.9

Measured at 3m in front of floor mounted model.

EAT 20°C, MWT 75°C, 10°C temperature drop

Model	Packed Weight
Caspian LST 60	24KG
Caspian LST 90	37KG
Caspian LST 120	46KG
Caspian LST 150	60KG
Caspian LST 180	78KG



External control harness



Plinth



Wall mounted room thermostat



22mm flexible hoses

Caspian LST

Motor

EC only
EC motors are BMS compliant

Finish

Casing: zinc-coated steel 1.2mm. Polyester powdercoated: white RAL 9010
Available to special order in any colour
Available with anti-microbial or anti-bacterial paint

Filter

Class G3, 100% polyester, non-washable

Installation

- Suitable for two-pipe central heating systems
- Pipework access holes on the rear and underside
- Key operated front access panels
- Bleed valve accessible on removal of front casing
- Unit must be earthed

Commissioning

Check water is hot enough to activate the low temperature cut-out thermostat

Regulate the flow to achieve maximum performance

Controls

Variable heat output controller (mounted within the product)

Built-in room thermostat

Fan-only

Accessories

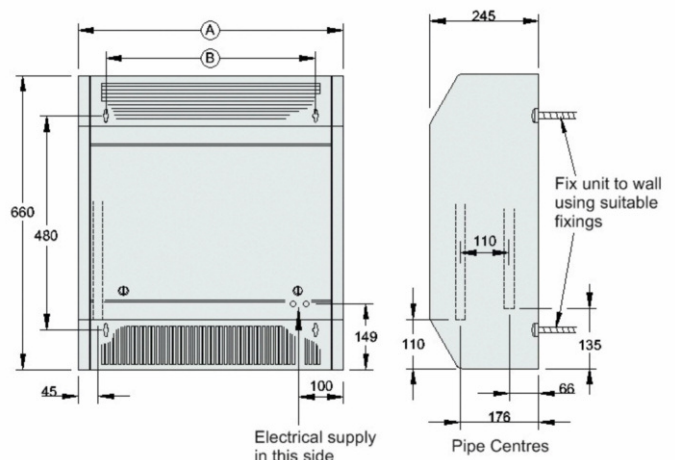
External control harness (for up to 4 products)

Plinth (150mm high) to suit each model, available in black or white

Wall mounted room thermostat

22mm flexible hoses (pair)

Caspian LST



All dimensions in mm

Model	A	B
60	595	470
90	895	770
120	1195	1070
150	1495	1370
180	1795	1670