

IMPORTANT

- The appliance is not to be used by children or persons with reduced physical, sensory or mental capabilities, or lack of experience and knowledge, unless they have been given supervision or instruction
- Children should not be permitted to play with the appliance
- Ensure that the fan is switched off from the supply mains before removing the guard
- Any specifications with regards to dimensions of space required for the appliance to operate effectively.



Products with this symbol (crossed out wheeled bin) cannot be disposed as household waste. Old electrical and electronic equipment must be recycled at a facility capable of handling these products and their waste by-products. If you are purchasing replacement equipment your retailer may offer a 'take back' scheme, or will be able to give details of the nearest approved authorised treatment facility. Proper recycling and waste disposal will help conserve resources whilst preventing detrimental effects on our health and the environment.

WEEE Registered Code: WEE/ED0093VW



Smith's Environmental Products Ltd.
1-2 Blackall Industrial Estate, South Woodham Ferrers,
Chelmsford, Essex CM3 5UW
Tel: 01245 324900, Fax: 01245 324422, After Sales: 01245 324560
E-mail: info@smiths-env.com Web: www.smiths-env.com



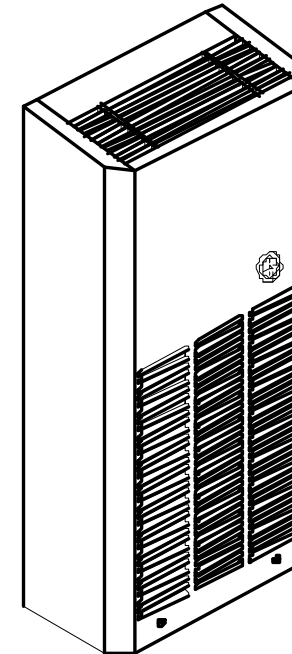
Versatile, energy efficient heating

ECOVECTOR™

Model VE2500

With RF Digital Thermostat

INSTALLATION & USER GUIDE



INTRODUCTION

In the event of items missing or visible damage please contact us on 01245 324560.

This heating appliance is intended for mounting on a wall at low level. No clearance is required on either side of the heater.

This heater must not be used in bathrooms or other high humidity areas.

Ecovector™ is designed for use on standard two-pipe pumped central heating systems where the system hot water is generated from either a boiler or renewable sources. This product is not suitable for one-pipe heating systems. Pipe connections are 15mm.

We recommend the use of full flow isolating valves. These valves should be accessible after completion of the installation.

Ecovector™ is classified as a fixed appliance and electrical connection should be via a double pole 3A fused spur. The fused spur must not be directly above the heater but should be accessible after completion of the installation. If the pre-wired mains cable is damaged, it must be replaced by the manufacturer, its service agent or similarly qualified persons. The appliance must be earthed.

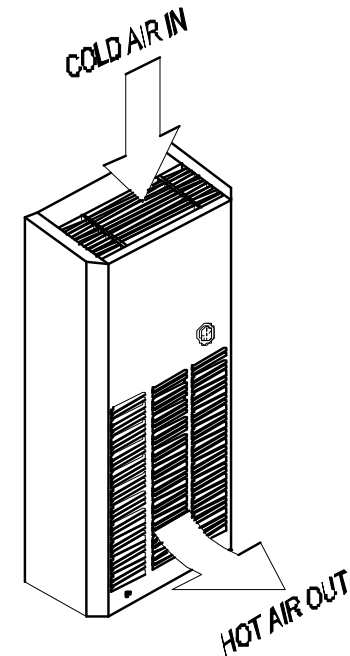
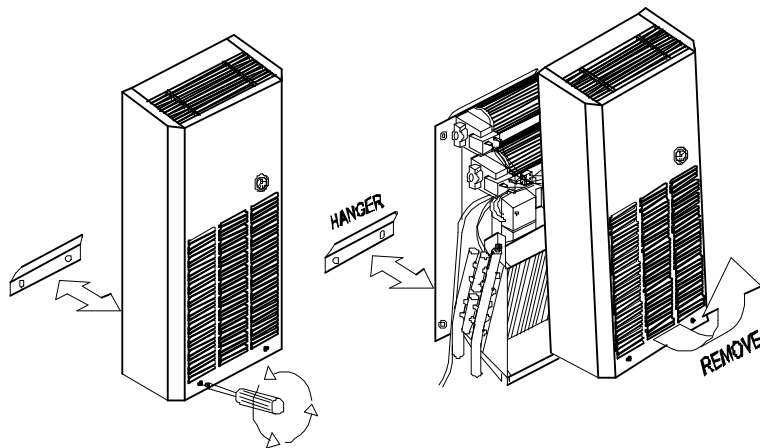
To avoid possibility of vibration, this product must be installed on a flat, even surface.

To comply with Building Regulations Part L (Part J in Scotland) this heater is fitted with a room thermostat.

Please note the guarantee may be invalidated if this product is not installed and used in accordance with this guide.

MOUNTING THE UNIT

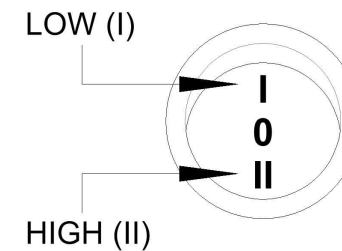
Remove the EZ hanger from the back of the heater. Remove screws from the base of the front panel, carefully lift up and remove.



Ecovector™ includes a low temperature thermostat that prevents the fan(s) operating until the central heating system water passing through the heat exchanger reaches a set temperature.

Heating

Ensure your central heating is ON, the heat output switch set to Low (I). If you require a faster warm up set the heat output switch to High (II)



FAULT FINDING

No heat output on settings I and II / Fan does not run on any switch setting

- Check the power supply is switched ON.
- Check the heating system is ON.
- Check the thermostat receiver inside the heater is switched ON.
- Ensure the room thermostat is calling for heat.
- Increase the heat source water temperature.
- Reset wireless thermostat control.
- Check battery status on wireless thermostat control – change batteries if necessary.
- Balance the central heating system if installed on the same circuit as panel radiators and increase the circulating pump speed if required.
- Check fuse in the fused spur.
- Check wiring connections at the fused spur.

In the event of difficulty please contact us on 01245 324560. It will be more helpful if you do not remove the product from the central heating system.

We would be most grateful if you would leave this installation & operation guide and the guarantee registration card with the owner of the property.

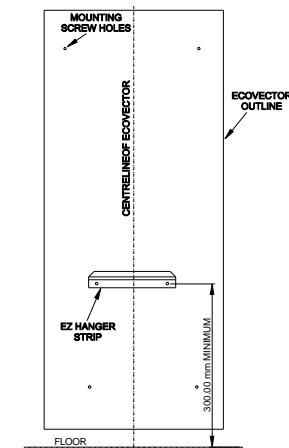
USER GUIDE

Your product is covered by a free 5-year parts and labour guarantee; please complete and return the Guarantee Registration Card to us as soon as possible to ensure that should you require assistance, we can help you quickly and efficiently.

Your Ecovector™ is designed to operate as part of your central heating system in the same way as a panel radiator. Providing you leave the heater switches in their normal operating positions it will switch on and off automatically with your central heating system.

Heat from your central heating system passes through a heat exchanger transferring its heat to the aluminium fins, room air is drawn in the top grille and heated as it passes through the heat exchanger before being gently expelled back into the room at floor level.

Fix the EZ hanger to the wall, position the heater on the EZ hanger and secure to the wall at the four fixing points.

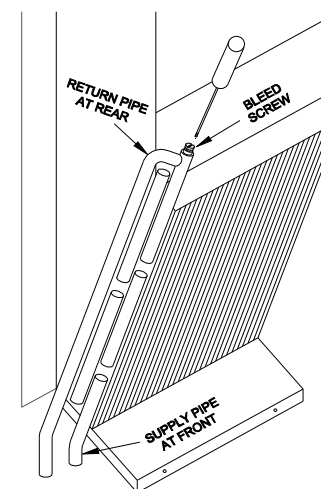


PIPE WORK

We recommend the use of full flow isolating valves. These valves should be accessible after completion of the installation.

Connect the heating system flow and return pipes to the heater pipe work. Do not use soldered fittings to the heater pipe work as the heat generated could damage internal wiring and components. The pipe nearest the front of the heater is the supply flow and the pipe nearest the chassis is the return.

Check for water leaks. Remove any trapped air from the system via the vent valve on the top left hand side of the heat exchanger. Do not over tighten the air vent



ELECTRICAL CONNECTION

ALL ELECTRICAL INSTALLATIONS CONNECTIONS MUST COMPLY WITH BS7671, 1992 AND THE IEE REGULATIONS. CHECK THE VOLTAGE ON THE HEATER IS CORRECT FOR YOUR SUPPLY. IF IN DOUBT, CONSULT A QUALIFIED ELECTRICIAN.

If the pre-wired mains cable is damaged, it must be replaced by the manufacturer, its service agent or similarly qualified persons.

Isolate the supply and connect the heater three core mains lead to the fused spur (3A) in accordance with the instructions provided on the mains lead label. (The supply wire which is coloured green or green and yellow must be connected to the terminal marked **E** on the appliance, the supply wire which is coloured black or blue must be connected to the terminal marked **N** on the appliance and the supply wire which is coloured red or brown must be connected to the terminal marked **L** on the appliance).

The fused spur must not be directly above the heater but should be accessible after completion of the installation.

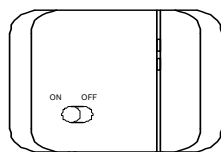
THERMOSTAT INSTALLATION.

The RT330RF wireless thermostat should be fitted at a height of 1.5metres from floor level and within 10 metres from the heater. To ensure trouble free operation ensure the thermostat is mounted away from any possible sources of interference (such as radios, TV sets, computers, etc). Do not mount on or in close proximity to large metal objects. For further information please refer to the manufacturers instruction manual (supplied).

COMMISSIONING

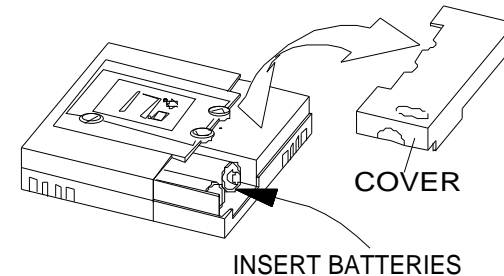
This heater is equipped with a low temperature cut out thermostat (+38°C) which requires the correct system hot water to be sensed before the fan(s) will run.

Ensure the Thermostat receiver on the heater is switched on.



THERMOSTAT RECEIVER

Remove the cover of the wireless thermostat control, fit the batteries (supplied) and press the re-set button. Refit the cover.



Adjust the thermostat control so it is calling for heat. (see manufacturers instruction manual)

Turn on the electrical supply at the fused spur, switch on the central heating system, set the heat output switch to Low (I) or High (II). The fan(s) should run and heat will flow within a few minutes.

If this heater is installed on the same circuit as panel radiators balance the central heating system.

When the installation is working correctly, remember to set the wireless thermostat control to its normal setting (for information please refer to the manufacturers instruction manual)

INSTALLATION COMPLETION

Refit the outer casing to the chassis and refit screws in base of front panel.

