

# Skyline®

The electric Skyline® fits neatly into existing ceiling space - replacing a 600mm x 600mm ceiling tile and because it is ceiling mounted, it saves valuable wall space - particularly important in retail units. It is unobtrusive and effective. Like its hydronic cousin, this high-output fan convector effectively heats large areas. Supplied as standard in white but can be supplied in any colour.



Model	Heat Output (kW)		Power Consumption (kW)		Fused Spur	Mains Cable (m)	Sound Levels (dBA)	Casing Colour	Fan-Only
	Normal	Boost	Normal	Boost					
<b>Electric</b>									
Skyline E 4kW	4.0	4.0	4.1	4.1	20A	1.5	40	White	n/a

## Skyline® E 4kW

### Finish

Outer casing 0.9mm zinc-coated steel. Polyester powder-coated  
Paint specification: textured white, BS 4800 00A01 18% gloss

### Installation

- Maximum installation height 3.2m (10'6") to underside
- Minimum 150mm void space required for recessed installation
- Not suitable for bathrooms and other high humidity areas
- Two air inlet options: room only, room and void
- Maximum flexibility in installation: only 600mm - side clearance required
- Facility for connection to 6mm threaded rod or chains (rods and chains - not supplied)
- 20 amp fused spur required
- Unit must be earthed
- Supplied with remote operating switch

### Controls

Rocker switches for fan and element

Overheat protection: thermal cut-out. Manual reset procedure: switch power off at mains, wait 5 minutes, switch power on

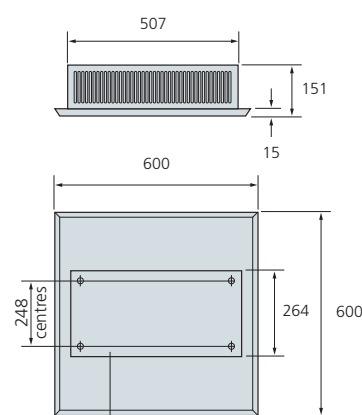
### Accessories

Surface mounting kit - 135mm. Provides a complete four-sided trim when fitted to a solid ceiling

Ceiling tile spacer - 85mm. Provides semi-recessed profile to match Skyline CT18 when used in ceiling tile frame

Room thermostats used in conjunction with Skyline E 4kW must be rated at 20A minimum

## Skyline® E 4kW



Multiple positions (14) for suspension points

## Additional information

Electric fan-assisted heaters cost around 15p per hour for each 1kW of heat. Hydronic model available.