

Available Accessory

Thermostat Control T1 & Automatic Speed Change T2 Thermostat Kit TCAS T12

An adjustable room thermostat (T1) located in the incoming air provides constant room temperature control.

To provide rapid warm up the Automatic speed change thermostat (T2) switches fan(s) between 2 selected speeds at any predetermined temperature setting (generally a difference of between 3-6 degrees lower than that of T1 is used). The constant temperature control is then maintained by the T1 room thermostat.

Products with this symbol (crossed out wheelie bin) cannot be disposed as household waste. Old electrical and electronic equipment must be recycled at a facility capable of handling these products and their waste by-products. If you are purchasing replacement equipment your retailer may offer a 'take back' scheme, or will be able to give details of the nearest approved authorised treatment facility. Proper recycling and waste disposal will help conserve resources whilst preventing detrimental effects on our health and the environment.

WEEE Registered Code : WEE/ED0093VW



ISO 9001
Registered Firm

Smith's Environmental Products Ltd,

Blackall Industrial Estate, South Woodham Ferrers, Chelmsford Essex CM3 5UW

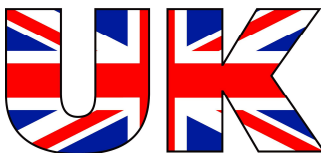
Tel: 01245 324900 After Sales: 01245 324560 Fax: 01245 324422

E-mail: info@smiths-env.com Web: www.smiths-env.com

For Ireland (Republic & Northern), contact MT Agencies on 00 353 1 864 3363

In light of our policy of continuous development Smith's Environmental Products Ltd reserve the right to alter specifications without prior notice.

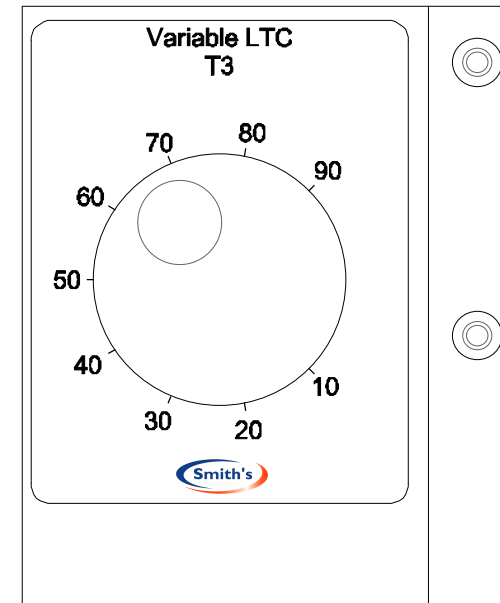
Manufactured in the



ALTC T3 Kit

Adjustable Low Temperature Cut-out

Installation and User Guide



This product is only for use with a Smiths Caspian Low Level (LL) Fan Convecter. The ALTC T3 kit will operate automatically under normal running conditions.

The adjustable room thermostat (T3) enables the end user to precisely select the temperature at which the fans switch on when combined with different heat sources.

Warning:

Isolate the power supply to the Caspian unit. **Do not** reconnect the power supply until the installation has been completed.

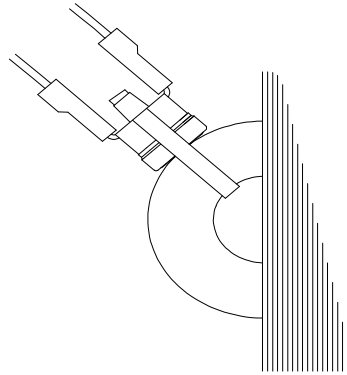
ALL ELECTRICAL INSTALLATIONS CONNECTIONS MUST COMPLY WITH BS7671, 1992 AND THE IEE REGULATIONS. CHECK THE VOLTAGE ON THE HEATER IS CORRECT FOR YOUR SUPPLY. IF IN DOUBT, CONSULT A QUALIFIED ELECTRICIAN.

Please note the guarantee may be invalidated if this product is not installed and used in accordance with these instructions.

Installation

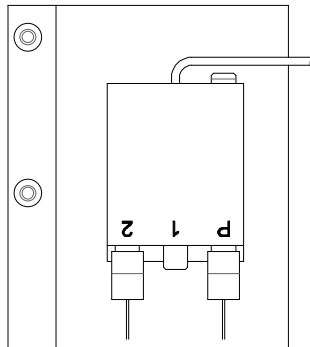
1. Remove the front access cover of the Caspian.
2. Remove existing LTC from heat exchanger (see figure1).

Figure 1



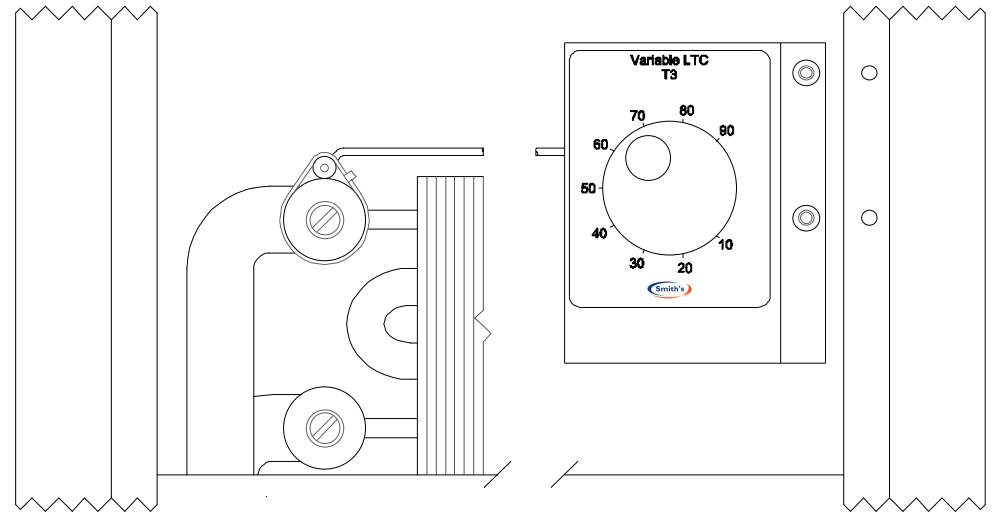
3. Attach either of the two white wires to terminals marked **P** and **2** (see figure 2).

Figure 2



4. Fit the accessory panel and screw through firmly into position (see figure 3).
5. Attach the phial onto the header tube and secure with cable ties (see figure 3).

Figure 3



Modified wiring diagram

