

Ecovector® Low - Smart Control



Ecovector Low Level fan convectors provide warmth from the floor upwards and are more energy efficient and effective than radiators



Features

- The Ecovector can heat up a room more quickly than radiators, thereby reducing the amount of time your boiler or heat pump is running - making it extremely efficient and cost effective
- Compatible with most types of wet central heating systems, functioning equally efficiently with conventional boilers, biomass technology or ground or air source heat pumps
- Ideal for new and existing developments, due to ease of installation, the Ecovector is available in a range of models to suit varying room sizes and heat output requirements

Applications

Education, healthcare, places of worship, leisure and sport, office, hospitality, retail, showroom, industrial and residential.

Motor

AC only

Finish

Front casing: zinc-coated steel.
Polyester powder-coated RAL 9010.
Side panels: polymer eggshell white.

Installation

Mounting bracket supplied.

Unit must be earthed.

Suitable for two-pipe central heating systems.

Minimum height above floor level 150mm.

Maximum height above floor level 500mm.

Commissioning

Check water is hot enough to activate the selectable low temperature cut-out thermostat.

Control

Built-in smart control with fan, time and temperature control.

Low temperature cut-out thermostat set to energise fan at approximately 35°C.

Specification

To specify state:

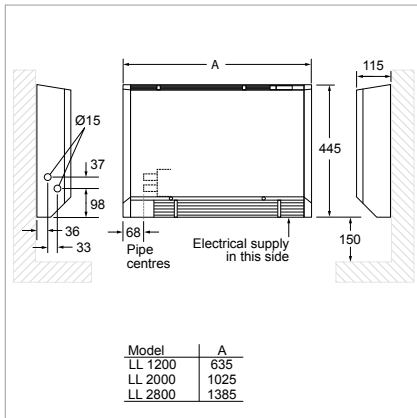
Low level hydronic fan convector in white.

As Smith's Ecovector Low Smart Control LL1200/LL2000/LL2800.

Ecovector® Low - Smart Control



Ecovector Low Level fan convectors provide warmth from the floor upwards and are more energy efficient and effective than radiators



Heat output

Model	Heat Output at 80°			Heat Output at 75°			Heat Output at 70°			Heat Output at 65°			Heat Output at 60°		
	Normal (kW)	Med (kW)	Boost (kW)	Normal (kW)	Med (kW)	Boost (kW)	Normal (kW)	Med (kW)	Boost (kW)	Normal (kW)	Med (kW)	Boost (kW)	Normal (kW)	Med (kW)	Boost (kW)
SMART ECOVECTOR LL 1200	1.2	1.4	1.6	1.1	1.25	1.4	1	1.15	1.3	0.9	1	1.1	0.8	0.9	1
SMART ECOVECTOR LL 2000	2	2.3	2.6	1.9	2.15	2.4	1.6	1.9	2.2	1.5	1.7	1.9	1.3	1.5	1.7
SMART ECOVECTOR LL 2800	2.8	3.15	3.5	2.6	2.9	3.2	2.3	2.6	2.9	2	2.3	2.6	1.9	2.15	2.4

Model	Heat Output at 55°			Heat Output at 50°			Heat Output at 45°			Heat Output at 40°		
	Normal (kW)	Med (kW)	Boost (kW)	Normal (kW)	Med (kW)	Boost (kW)	Normal (kW)	Med (kW)	Boost (kW)	Normal (kW)	Med (kW)	Boost (kW)
SMART ECOVECTOR LL 1200	0.7	0.75	0.8	0.6	0.65	0.7	0.5	0.55	0.6	0.4	0.45	0.5
SMART ECOVECTOR LL 2000	1.2	1.4	1.6	1	1.15	1.3	0.9	1	1.1	0.7	0.75	0.8
SMART ECOVECTOR LL 2800	1.9	2	2.1	1.3	1.55	1.8	1.2	1.35	1.5	1	1.1	1.2

Model	Flow & return connections	Mains cable	Transformer	Fused spur	Total Power Consumption		Water Capacity (Litres)	Sound Levels		Casting colour	Fan-only
					Normal (Watts)	Boost (Watts)		Normal (dBA)	Boost (dBA)		
ECOVECTOR LL 1200	15mm	1.5m	n/a	3A	17	21	0.29	32	38	white	n/a
ECOVECTOR LL 2000	15mm	1.5m	n/a	3A	26	55	0.58	35	40	white	n/a
ECOVECTOR LL 2800	15mm	1.5m	n/a	3A	43	76	0.83	37	42	white	n/a

Heat outputs tested in accordance with BS4856 using entering water temperature and 340 l/h (75gph) flow rate. Fan-only option operational only when central heating system is switched off. Sound levels measured at 1.5m.

Ordering guide

Model	Packed Wt (kg)	Product Codes
SMART ECOVECTOR LL 1200 AC	12	HPEV50022
SMART ECOVECTOR LL 2000 AC	17	HPEV50023
SMART ECOVECTOR LL 2800 AC	24	HPEV50024

As part of our commitment to continuous improvement Smith's Environmental Products may change the specifications of its products without prior notification or public announcement. All descriptions, illustrations, drawings and specifications in this publication present only general particulars and shall not form part of any contract. All dimensions are in mm unless otherwise stated. Please visit our website for the most up to date information.

Issue 003 | November 2021