

## **IMPORTANT**

- The appliance is not to be used by children or persons with reduced physical, sensory or mental capabilities, or lack of experience and knowledge, unless they have been given supervision or instruction
- Children should not be permitted to play with the appliance
- Ensure that the fan is switched off from the supply mains before removing the guard
- Any specifications with regards to dimensions of space required for the appliance to operate effectively.



Products with this symbol (crossed out wheeled bin) cannot be disposed as household waste. Old electrical and electronic equipment must be recycled at a facility capable of handling these products and their waste by-products. If you are purchasing replacement equipment your retailer may offer a 'take back' scheme or will be able to give details of the nearest approved authorised treatment facility. Proper recycling and waste disposal will help conserve resources whilst preventing detrimental effects on our health and the environment.

WEEE Registered Code: WEE/ED0093VW



### **Smith's Environmental Products Ltd**

Blackall Industrial Estate, South Woodham Ferrers, Chelmsford, Essex, CM3 5UW  
Tel: 01245 324900 Fax: 01245 324422

Sales: sales@SmithsEP.co.uk General Information E-mail: info@SmithsEP.co.uk Web: www.SmithsEP.co.uk

**For Ireland, contact MT Agencies (Ireland) Ltd on Tel: 00353 1 844 3212**

As part of the policy of continuous product improvement,  
Smith's Environmental Products Ltd reserves the right to alter specification without prior notice.



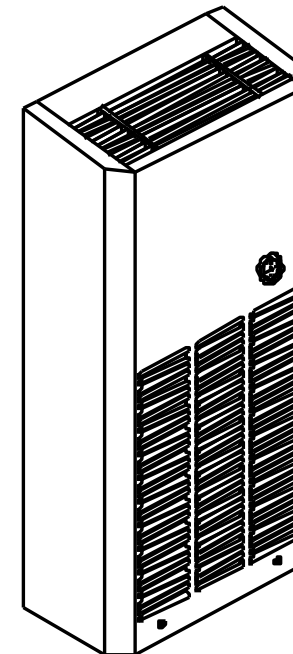
**Versatile, energy efficient heating**

## **ECOVECTOR™**

**Model  
VE2500**

**With SLVT-B Battery Controller**

## **INSTALLATION & USER GUIDE**







## ELECTRICAL CONNECTION

ALL ELECTRICAL INSTALLATIONS CONNECTIONS MUST COMPLY WITH BS7671, 1992 AND THE IEE REGULATIONS. CHECK THE VOLTAGE ON THE HEATER IS CORRECT FOR YOUR SUPPLY. IF IN DOUBT, CONSULT A QUALIFIED ELECTRICIAN.

If the pre-wired mains cable is damaged, it must be replaced by the manufacturer, its service agent or similarly qualified persons.

Isolate the supply and connect the heater three core mains lead to the fused spur (3A) in accordance with the instructions provided on the mains lead label. (The supply wire which is coloured green or green and yellow must be connected to the terminal marked **E** on the appliance, the supply wire which is coloured black or blue must be connected to the terminal marked **N** on the appliance and the supply wire which is coloured red or brown must be connected to the terminal marked **L** on the appliance).

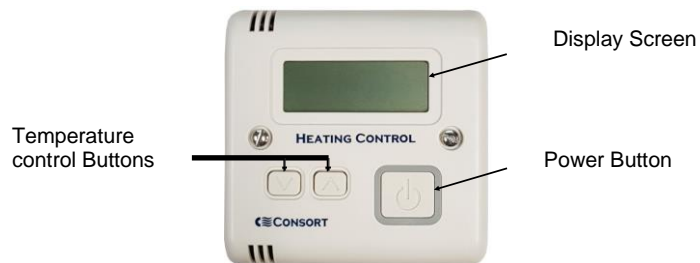
The fused spur must not be directly above the heater but should be accessible after completion of the installation.

## SLVT-B Wireless Controller Installation.

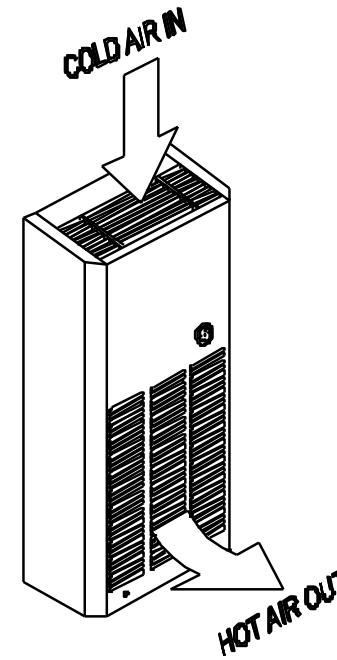
**Important: This heater will not function unless it is paired and used with the SLVT-B wireless controller. See pairing set up guide on page 5.**

The SLVT-B controller is supplied with a white plastic back box but it was designed to fit onto most single gang back boxes. The controller is powered by two AAA batteries that are supplied.

The controller should be fitted at a height of 1.5metres from floor level and within 10 metres from the heater. To ensure trouble free operation ensure the thermostat is mounted away from any possible sources of interference (such as radios, TV sets, computers, etc). Do not mount on or in close proximity to large metal objects. It is recommended that the batteries should be replaced every 12 months.



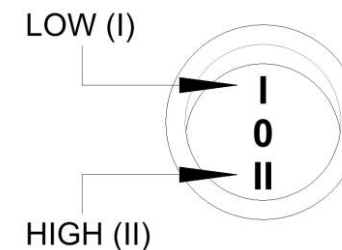
Please refer to the instructions packed with the controller for full setting options and functions.



Ecovector™ includes a low temperature thermostat that prevents the fan(s) operating until the central heating system water passing through the heat exchanger reaches a set temperature.

## Heating

Ensure your central heating is ON, the heat output switch set to Low (I). If you require a faster warm up set the heat output switch to High (II)



## FAULT FINDING

### No heat output on settings I and II / Fan does not run on any switch setting

- Check the power supply is switched ON.
- Check the heating system is ON.
- Check the SLVTB controller is paired with the unit
- Check the SLVTB controller is switched on and calling for heat.
- Check the service valves (if fitted) are open.
- Bleed air from appliance.
- Increase the boiler water temperature.
- Balance the central heating system if installed on the same circuit as panel radiators and increase the circulating pump speed if required.
- Check fuse in the fused spur.
- Check wiring connections at the fused spur.

In the event of difficulty please contact us on 01245 324560. It will be more helpful if you do not remove the product from the central heating system.

We would be most grateful if you would leave this installation & operation guide and the guarantee registration card with the owner of the property.

## USER GUIDE

Your product is covered by a free 5-year parts and labour guarantee; please complete and return the Guarantee Registration Card to us as soon as possible to ensure that should you require assistance we can help you quickly and efficiently.

Your Ecovector™ is designed to operate as part of your central heating system in the same way as a panel radiator. Providing you leave the heater switches in their normal operating positions it will switch on and off automatically with your central heating system.

Heat from your central heating system passes through a heat exchanger transferring its heat to the aluminium fins, room air is drawn in the top grille and heated as it passes through the heat exchanger before being gently expelled back into the room at floor level.

## Quick Setup Guide – SLVT-B Electric Heater Controller Pairing with Heaters

(Battery Powered Wireless Controller)

**Attention: Your Heater will not function unless it is used and paired with this controller.**



**Step 1:** Turn **OFF** the mains power supply to the heater at the fused spur or power connection



**Step 2:** Set the heater switches on the heater to **ON**



**Step 3:** On the back of the controller, you will see the battery compartment. **Pull and remove** the battery tag. Look at the front display. If the batteries are good, the front battery display will show the ambient room temperature.



**Step 4:** Turn **ON** the mains power supply to the heater at the fused spur or power connection and **within 20 seconds** press and hold, the **ON** button on the controller until the display shows “PAIR”

On Button



**Step 5:** After the pairing is finished, the display will show “TEST”. If the pairing was successful and the heater should function (This can take up to 5 seconds after pairing)



- If process fails repeat all the steps again (ensure that the thermostat temperature is set higher than the ambient room temperature)



**Step 6:** Press the power button once to exit pairing and then press again to switch back on

**Step 7:** Using the up and down arrow buttons set the room temperature to the desired temperature



**Note:** The power supply to the heater must be switched off before the pairing process (step 1)  
**ease carefully read the Installation and Control Guide included with the product for full control and operation guide.**

