

Caspian[®] LST

Installation, commissioning
and user manual



60 | 90 | 120 | 150 | 180
EC Series Fan Convectors

Contents

Introduction	2
Declaration of conformity	3
Symbols used in this guide	3
Important safety and installation instructions	4
Product Information	5
Product dimensions	5
Mounting option	5
Product performance	6
Wiring diagrams	7
Installation	8
Commissioning	9
Heating operation	10
Maintenance	10
Fault finding	10
Accessories	11
Registering your product	11
Disposal	11
After sales	11

Introduction

Caspian LST range is patented (UK Patent No. 2,555,566)

Testing undertaken by BSRIA conforms these heaters comply with DHSS Engineering and Data DN4 and NHS Estates Health Guidance Note 'Safe Hot Water and Surface Temperature' (1998).

These heaters are designed as a low level mounted product with air outlet discharge from the top of the unit. LST function ensures the surface and grille temperature does not exceed 43°C by measuring leaving air temperature and modulating the flow through the heat exchanger.

These heaters **must not** be installed in wet rooms or other high humidity areas.

These heaters are designed for use on standard two-pipe pumped central heating systems with a maximum water temperature of 86°C and a maximum pressure of 6 bar (88lbs/in.). Pipe connections are 22mm. **Flow direction must follow that shown on the body of the valve.**

These heaters are classified as a fixed appliance and the electrical connection should be via a 3A fused spur. The fused spur must not be directly below the heater but should be accessible after completion of the installation. All heaters must be earthed.

This heater is fitted with an integral room thermostat.

This heater is fitted with an air outlet thermostat pre-set to 34°C; and should not be adjusted above 35°C.

To avoid the possibility of vibration these units must be fitted to a flat even surface.

These heaters are fitted with low temperature cut out stats and will not operate until a water temperature of approximately 35°C is achieved.

If desired a remote room thermostat can be used in conjunction with this heater. Refer to the manufacturer's instructions supplied with the thermostat.

Please note the guarantee may be invalidated if this product is not installed and used in accordance with these instructions.

Declaration of conformity

EC Declaration of conformity

We, Smith's Environmental Products Limited
1-2 Blackall Industrial Estate
South Woodham Ferrers
Chelmsford
Essex CM3 5UW
Tel: 01245 324900 Fax: 01245 324422

Declare under sole responsibility that the products:

Product name:
Caspian Universal

Product range:
**Caspian UV, Caspian FF, Caspian EXT,
Caspian SL, Caspian TT, Caspian UVC,
Caspian LST sizes 60, 90, 120, 150 & 180**

Conform to the following European Union directives:
**Low Voltage Directive 2014/35/EU
Safety of household electrical appliances: EN 60335-2-30:2009, +A11:12
EN 60335-1:2012/AC:14+A11:14
EN 62233:2008**

**Electromagnetic compatibility (EMC)
EN 55014-1:2006 inc. A1:2009 & A2:2011
EN61000-3-2:2006 inc A1/A2:2009
EN61000-3-2:2014
EN61000-3-3:2013**

This Declaration is made on behalf of Smith's Environmental Products Limited.

Symbols

This manual contains information and prescriptions marked by the following symbols.



Ignoring these safety provisions marked by the symbol "caution: hazard" may endanger the safety of people.



Ignoring these safety provisions marked by the symbol "caution: electricity" may endanger the safety of people, as well as the integrity of things.



The removal of the screws can cause the output of hot fluids under high pressure from heating system. Drain the system or close the isolating valves.



High temperature surface. Take utmost care to prevent people from getting in contact with the hot surfaces of the appliance.

Important safety and installation instructions

Prior to installation, read these installation and operating instructions. The installation and operation should also be in accordance with national regulations and accepted codes of good practice.



This appliance is not intended for use by persons (including children) with reduced physical, sensory or mental capabilities, or lack of experience and knowledge, unless they have been given supervision or instruction concerning use of the appliance by a person responsible for their safety. Children should be supervised to ensure that they do not play with the appliance.

To guard against injury, basic safety precautions should be observed, including the following:

1. Read and follow all safety instructions and all the important notices on the appliance before installing, using and maintaining the appliance. Failure to do so may cause personal injury or damage to the appliance or installation.
2. Always disconnect electrical supply before putting on or taking off parts and whilst the equipment is being installed, maintained or handled. Never work with bare feet and/or with wet hands.
3. To avoid possible electric shock, special care should be taken since water is used with electrical equipment. Carefully examine the appliance before and after installation. Do not operate the appliance if it has a damaged supply cord or enclosure, or if it is malfunctioning or it is dropped or damaged in any manner. Inspect the appliance periodically.

The appliance should not be electrically supplied if there is water on parts not intended to be wet.

4. Risk of scalding. To avoid injury before any servicing operation wait until the water has cooled inside the appliance. Do not touch the fluid or the appliance when temperature is higher than 60°C.

5. Improper use.
This is an appliance to be used in heating systems with clean water without abrasive particles.

Do not use this appliance:

- With liquids other than water (e.g. flammable liquids, etc.) (EN60335-2-51);
- In locations where special conditions prevail, such as the presence of a corrosive or explosive atmosphere (dust, vapour or gas) (EN60335-2-51);
- For other than intended use.

6. Installation.

The appliance must be mounted in a stable/fixed position in a dry, well ventilated, frost-free, waterproof and protected place, with sufficient ventilation around it. Make sure that the appliance is securely and correctly installed before operating it and that there is enough room around it for maintenance operations, dismantling, checking for free inspection.

The maximum ambient temperature at which the appliance is to be used is 40°C (EN60335-2-51).



7. Electric connection

IMPORTANT: Connection to the power supply must be effected by means of a fixed power cable which is fitted with a plug-type connection or a two pole isolating switch with a minimum contact opening of 3 mm.

Electrical connection must be carried out by a qualified electrician and in accordance with local regulations and both data on the name-plate and the appropriate diagram inside the terminal box cover.

Follow all safety standards.

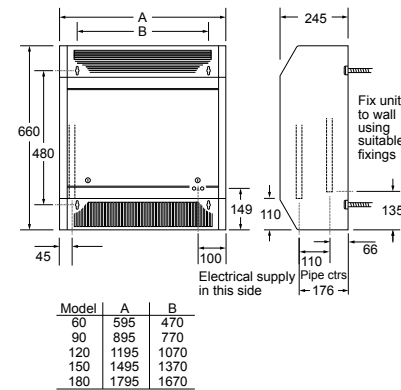
8. All electrical work should be carried out in accordance with current IEEE regulations; we recommend the appliance is protected by a Residual Current Device (RCD or Ground-Fault Circuit-Interrupter) with a rated residual operating current not exceeding 30mA.
9. Prior to any modification being made to the equipment, it must be agreed with and authorised by the manufacturer. Original spare parts and accessories authorised by the manufacturer are integral part contributing to the safety of the equipment and of the machines. The use of non original components or accessories may endanger the safety and causes the termination of the warranty. Safe operation is only assured for the applications and conditions described in Application of this manual.

Non-observance of the safety instructions results in the loss of any claims to damages.

The indicated limit values are binding and cannot be exceeded for any reason whatsoever.

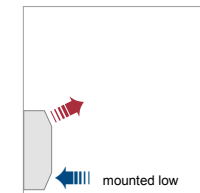
KEEP THESE INSTRUCTIONS FOR FUTURE REFERENCE.

Product dimensions



Mounting option

Suitable for low level installation only.



Product performance

Model	Heat Output at 80°			Heat Output at 75°			Heat Output at 70°			Heat Output at 65°		
	Low (kW)	Med (kW)	High (kW)	Low (kW)	Med (kW)	High (kW)	Low (kW)	Med (kW)	High (kW)	Low (kW)	Med (kW)	High (kW)
CASPIAN LST 60	1.0	1.6	2.2	0.9	1.4	1.9	0.8	1.3	1.7	0.8	1.1	1.5
CASPIAN LST 90	3.0	3.5	3.9	2.8	3.2	3.7	2.6	3.0	3.5	2.4	2.8	3.2
CASPIAN LST 120	5.0	5.3	5.7	4.7	5.1	5.5	4.4	4.8	5.2	4.0	4.4	4.8
CASPIAN LST 150	6.2	6.7	7.2	6.0	6.5	7.0	5.7	6.2	6.7	5.3	5.8	6.3
CASPIAN LST 180	7.7	8.2	8.7	7.5	8.0	8.5	7.2	7.7	8.2	6.8	7.3	7.8

Model	Heat Output at 60°			Heat Output at 55°			Heat Output at 50°		
	Low (kW)	Med (kW)	High (kW)	Low (kW)	Med (kW)	High (kW)	Low (kW)	Med (kW)	High (kW)
CASPIAN LST 60	0.7	1.0	1.3	0.6	0.8	1.1	0.6	0.7	0.8
CASPIAN LST 90	2.1	2.5	2.9	1.9	2.2	2.6	1.6	2.0	2.3
CASPIAN LST 120	3.6	4.0	4.4	3.2	3.6	4.1	2.8	3.2	3.7
CASPIAN LST 150	4.9	5.4	5.9	4.6	5.1	5.6	4.2	4.7	5.2
CASPIAN LST 180	6.4	6.9	7.4	6.1	6.6	7.1	5.7	6.2	6.7

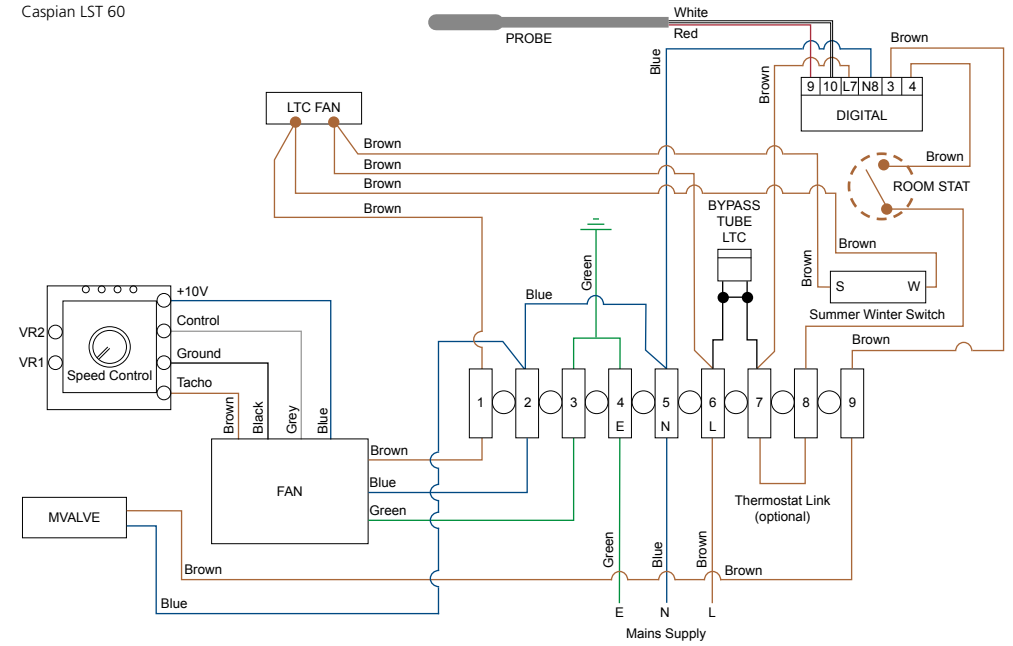
Model	Pressure Drop			Flow & return connections	Fused spur	Total Power Consumption			
	High (kPa)	Medium (kPa)	Low (kPa)			Low (Watts)	Medium (Watts)	High (Watts)	Water Capacity (Litres)
CASPIAN LST 60	1.5	1.1	0.9	22mm	3A	26	41	55	0.92
CASPIAN LST 90	3.9	2.3	1.6	22mm	3A	33	59	85	1.50
CASPIAN LST 120	7.3	5.5	5.3	22mm	3A	33	79	125	2.08
CASPIAN LST 150	8.6	6.8	6.2	22mm	3A	50	119	188	2.58
CASPIAN LST 180	11.3	8.6	7.9	22mm	3A	66	158	250	3.18

Model	Sound Levels			Casting colour	Fan only
	High (dBA)	Medium (dBA)	Low (dBA)		
CASPIAN LST 60	50	43	35	white	•
CASPIAN LST 90	53	45	37	white	•
CASPIAN LST 120	57	48	38	white	•
CASPIAN LST 150	59	47	36	white	•
CASPIAN LST 180	59	47	36	white	•

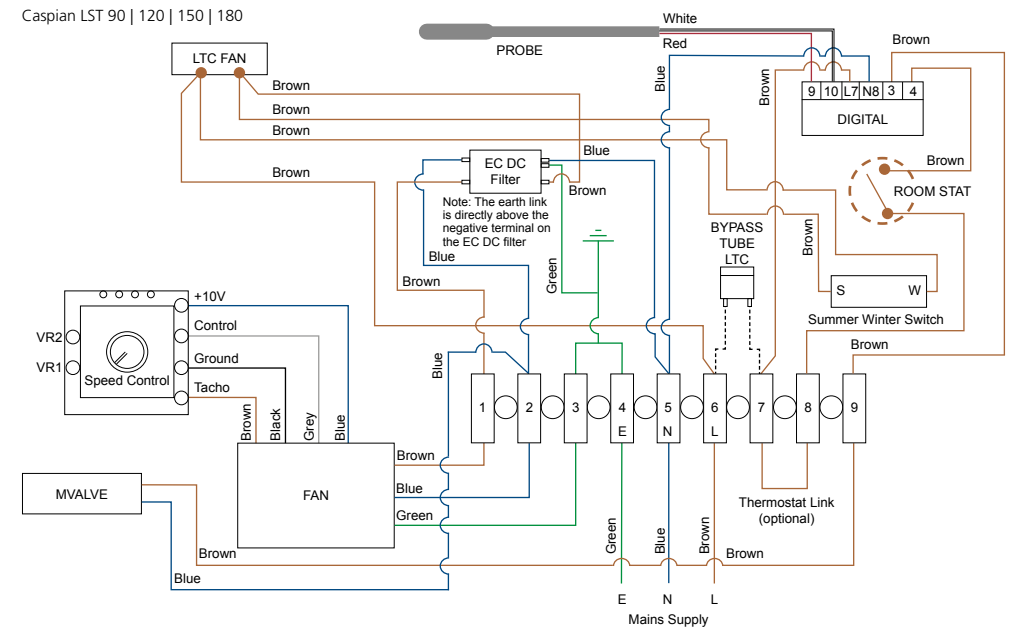
Heat output testing based on BS EN442 using mean water temperature, 20°C entering air temperature, 10° temperature drop.
 Sound levels measured at 3m in front of the floor mounted model.

Wiring diagrams

Caspian LST 60



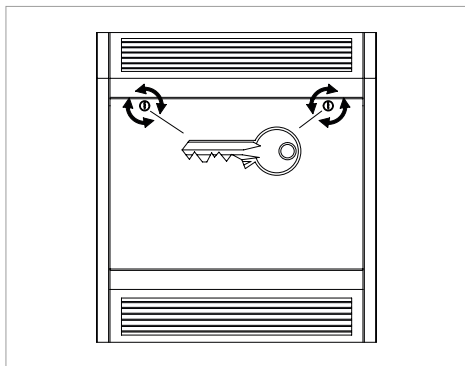
Caspian LST 90 | 120 | 150 | 180



Installation

1. Unlock the front access panel

Unlock and lower the front access panel using the keys supplied.

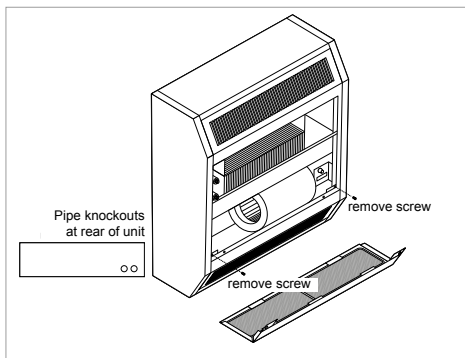


2. Fix unit to wall

Fix the unit to the wall via suitable fixings.

3. Connect the pipes

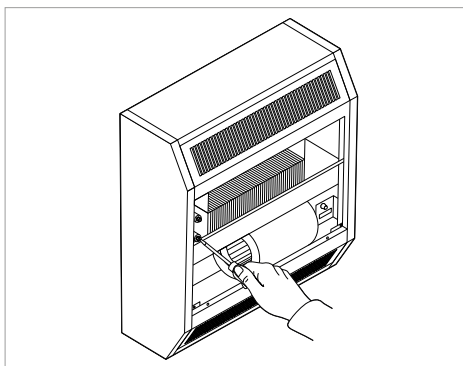
Connect the heating system flow and return pipes to the heater pipe work. Pipe entry/exit can be made through either the back of the unit or by using the pipe knockouts on the bottom of the unit. Do not use soldered fittings to the heater pipe work as the heat generated may cause damage to internal wiring and components. Compression fittings should be used.



Note: We recommend the use of full-flow service valves. The valves should be accessible after completion of the installation. We also advise the fitting of an air vent at the highest point on either the flow or return pipe to remove any air trapped within the system.

4. Open the service valves

Open the full flow service valves and check for water leaks. Remove any trapped air from the unit via the built in bleed screws as shown in the diagram below. Note: Ensure the motorised valve is set to the auto position.

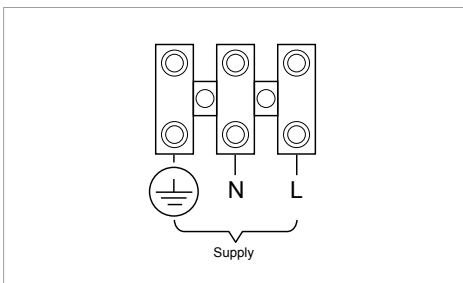


5. Electrical supply

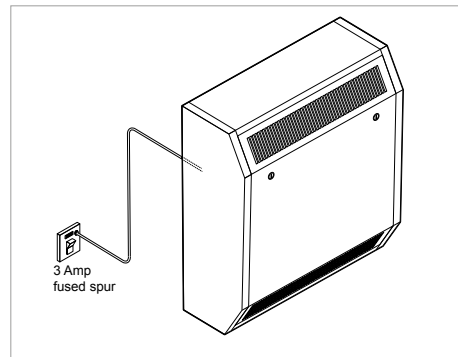
Isolate the electrical supply

6. Connect the power supply

Connect the power supply from the fused spur (3 Amp) to the heater terminal block marked Supply E N L via the cable entry hole in the top chassis of the heater.



The fused spur must not be directly below the heater and must be accessible after the installation is complete. All electrical work should be carried out in accordance with current IEEE regulations.

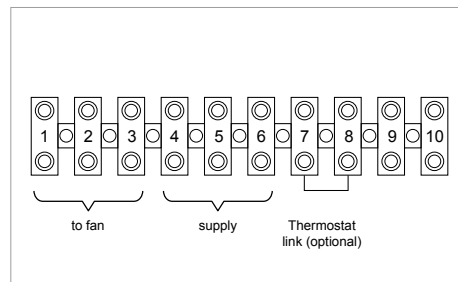


7. Connect a room thermostat

To connect a room thermostat (not supplied)

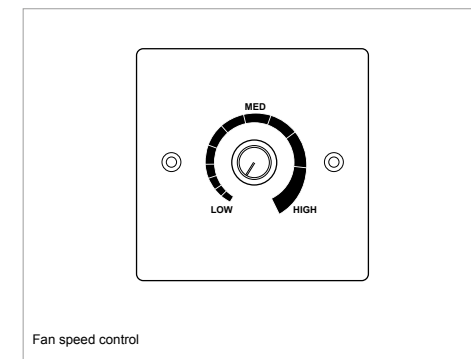
1. Unscrew and remove electric panel
2. Remove link wire between terminals 7 & 8 and fit thermostat wires
3. Refit electric panel

For further information refer to the room thermostat manufacturers instructions.



Commissioning

1. Turn on the electrical supply at the fused spur.
2. Turn the thermostat control (if fitted) to maximum.
3. Turn on the central heating system.
4. If these heaters are installed on the same circuit as panel radiators balance the central heating system.
5. If the installation is working correctly remember to reset the thermostat control to its required setting.
6. Set the fan speed control to the desired position. Note: To decrease motorised valve cycles it is recommended that the flow is reduced. (Please ensure adequate flow through heater).



7. Lift up and close front access panel, ensure this is secure and locked in place with keys provided.
8. Please leave this Installation & User Guide with the user for future reference.

Heating operation

Ensure the central heating system is ON. Switch on the power supply to the unit. Set the thermostat control (if fitted) to the desired temperature. Providing the water temperature in the central heating system is more than 35°C and the thermostat (if fitted) is calling for heat the product will switch on.

Note: Achieving higher output than shown in the above table will not be possible by increasing flow rate, this is because due to LST function of the heater. To achieve higher than shown outputs increase fan speed.

It is recommended that the model chosen is capable of maintaining the calculated heat loss at medium heat output enabling the high speed setting to be used for faster heat up and the low speed for maintaining temperature.

Fault finding

Providing the power supply is switched on the room thermostat (if fitted) is calling for heat the heater will switch on and off automatically with the central heating system.

In the event of any difficulty, please contact us on +44 (0) 1245 324560.

It will be helpful if you do not disconnect the heater from the central heating system.

Fault	Checking/Solution
The fan does not run on any speed setting	<p>Check the power supply is switched ON</p> <p>Check the fuse in the fused spur</p> <p>Check the wiring at the fused spur</p> <p>If thermostat is fitted ensure it is calling for heat</p> <p>Check the central heating is switched ON and hot water flowing through system</p> <p>Vent any trapped air from the system (with the heating system turned OFF)</p>
No heat output	<p>Check flow and return pipes are hot</p> <p>Vent any trapped air from the system (with the heating system turned OFF)</p> <p>Check the central heating is switched ON and hot water flowing through system</p> <p>If a thermostat is fitted ensure it is calling for heat</p> <p>Balance the central heating system if installed on the same circuit as panel radiators and increase the circulating pump speed if required</p> <p>Increase the boiler water temperature</p>

Maintenance

Warning! Isolate from the electrical supply before performing any work on the unit.

The internal air filter is removable for servicing. To gain access to the filter unlock and lower the front enclosure panel and lift out. Carefully lift out and remove filter (see page 8). The filter should be gently tapped to remove any accumulated dust and vacuumed if necessary (approx. every 6 months). We recommend replacing the filters approx. every 2 years depending on environmental conditions.

The coil fins are delicate so take care and only use a soft brush or vacuum cleaner to remove any dust that may have accumulated.

The fan(s) and motors should not require servicing. Please contact your supplier if damaged.

To replace filter use reverse the removal instructions and ensure the lower front access panel is securely locked.

Please note in the event of an engineer's visit, Smith's Environmental Products Ltd reserve the rights to apply a call-out charge should the fault prove to be with the system or installation and not the heater appliance.

Accessories

By fitting optional equipment this product can operate automatically under normal running conditions. The optional controls fit within the casing of the unit and are supplied with easy to fit instructions.

Wall mounted controller

Plinth

For further information on accessories or spares please contact either your supplier or Smith's Environmental Products Ltd or visit www.SmithsEP.co.uk

Registering your product

Thank you for purchasing a Smith's product. It has been designed and manufactured to the highest quality standards to ensure it gives you efficient and trouble-free service for many years. We are committed to achieving the highest standards and our faith is supported by a free parts and labour guarantee with every product.

For more information on the warranty period for this product please visit our website smithsep.co.uk/product-registration/

This gives you the peace of mind that in the unlikely event of product failure, we will repair or replace the product completely free of charge providing the product has been installed, used and maintained in accordance with the instructions. Your statutory rights are not affected by this warranty.

It is important to register as soon as possible online at: smithsep.co.uk/product-registration/. This will ensure you will receive prompt and efficient service if your product requires attention within the warranty period. If you do not register your product, you will be required to produce proof of purchase prior to receiving service.

For more details please visit our website: SmithsEP.co.uk

Disposal

As part of the policy of continuous product improvement, Smith's Environmental Products LTD reserves the right to alter specification without prior notice.

Products with this symbol (crossed out wheele bin) cannot be disposed as household waste. Old electrical and electronic equipment must be recycled at a facility capable of handling these products and their waste by-products. If you are purchasing replacement equipment your retailer may offer a 'take back' scheme, or will be able to give details of the nearest approved authorised treatment facility. Proper recycling and waste disposal will help conserve resources whilst preventing detrimental effects on our health and the environment.

WEEE Registered Code: WEE/ED0093VW



After sales

If you experience any problems with the use of your product, please contact our after-sales office +44 (0) 1245 324560.

For product information, customer services or sales support call us on +44 (0) 1245 324900

For the Republic of Ireland, contact MT Agencies on 01 864 3363

Sales: sales@SmithsEP.co.uk
General information: info@SmithsEP.co.uk

Smith's Environmental Products Ltd
Blackall Industrial Estate, South Woodham Ferrers,
Chelmsford, Essex CM3 5UW

SmithsEP.co.uk

@SmithsEP_UK

#ThinkSmiths



Happy to help

Smith's Environmental Products Ltd is one of the leading manufacturers of heating and cooling products in the UK. We are committed to achieving the highest standards and our faith is supported by a free parts and labour guarantee with every product (see our website for more information). Our customer service is second to none and we are happy to offer any help and guidance that you might need.

Stockists

All products are available nationally from Builders' Merchants, Plumbers' Merchants, Heating Equipment Distributors and Kitchen Equipment Distributors. In the event of difficulty, please contact us or visit our website SmithsEP.co.uk for details of your nearest stockist.

Information and advice

Full technical specifications and list prices is available to download from our website or in hard copy from our office. Also available on our website are price lists, individual product data sheets, installation & user guides, where to buy, who to contact and a media centre.

Alternatively contact our office 9.00am to 5.00pm Monday to Friday.

As part our commitment to continuous improvement Smith's Environmental Products may change the specifications of its products without prior notification or public announcement. All descriptions, illustrations, drawings and specifications in this publication present only general particulars and shall not form part of any contract. All dimensions are in mm unless otherwise stated. Please visit the website for the most up to date information.

**To view the full product information
download the datasheet at:
www.SmithsEP.co.uk**

For product information, customer services or sales support call us on **+44 (0) 1245 324900**

For the Republic of Ireland, contact MT Agencies on 01 864 3363

Sales: sales@SmithsEP.co.uk

General information: info@SmithsEP.co.uk

Smith's Environmental Products Ltd
Blackall Industrial Estate, South Woodham Ferrers,
Chelmsford, Essex CM3 5UW

SmithsEP.co.uk

[@SmithsEP_UK](https://twitter.com/SmithsEP_UK)

[#ThinkSmiths](https://www.facebook.com/ThinkSmiths)

Issue 004 | March 2023