

# Multivector®

Education | Healthcare | Places of worship | Leisure and sport | Office | Hospitality | Retail | Showroom | Residential

## Low level wall mounted fan convector with Smart Controls developed for use with heat pumps

---

Energy efficient EC motor

---

Ideal for use with heat pumps

---

Low water content enabling fast response

---

Two pipe heating

---

Low surface temperature compared to a radiator

---

Smart Control – time, temperature and speed control

---

App – when paired with Smith's Smart Hub

---

3 selectable speed

---

Designed and manufactured in the UK



As part of our commitment to continuous improvement Smith's Environmental Products may change the specifications of its products without prior notification or public announcement. All descriptions, illustrations, drawings and specifications in this publication present only general particulars and shall not form part of any contract. All dimensions are in mm unless otherwise stated. Please visit our website for the most up to date information.

Issue 005 | January 2024

+44 (0) 1245 324 900 | sales@smithsep.co.uk | SmithsEP.co.uk

 **Smith's**  
A Swan Group Company

## Product information

### Motor

EC only.

### Finish

Outer casing zinc coated steel.  
Polyester, powder coated RAL 9010.

### Installation

Suitable for two-pipe central heating systems.  
Minimum height above floor level 150mm.  
Maximum height above floor level 500mm.  
Pipework access holes on the rear and underside.  
Bleed valve accessible on removal of front casing.  
Unit must be earthed.

### Control

Flush mounted Smart Control: fan speed, time programming, temperature control and valve/actuator.  
App control - when used with Smith's Smart Hub.

### Attachment

To utilise "Salus Smart Home" app a Smith's Smart Hub must be installed and connected to the local network.

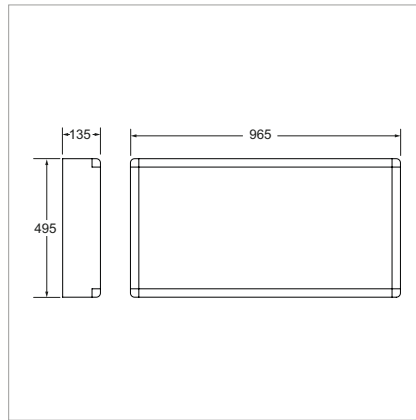
### Customised requirements

For bespoke specification, please contact us to discuss your requirements.

### Specification

To specify state: Low level wall mounted fan convector 970mm, 1170mm or 1370mm wide with EC motor with Time and Temperature control built in.  
As Smith's Multivector 970, 1170 or 1370

## Dimensions



## Ordering Guide

Listed below are the basic models. For all other variants please visit our website for the most up to date information.

Model	Packed Wt (kg)	Product Codes
MULTIVECTOR 970	22.5	HPMV50501
MULTIVECTOR 1170		COMING SOON
MULTIVECTOR 1370		COMING SOON

For bespoke specifications, including electric heating capability please contact us to discuss

## Technical Data

### Heat output

Model	Fan Speed	Heating Capacity - EWT °C / kW									Heating Flow Rate (l/h)	Sound level NR
		40°C	45°C	50°C	55°C	60°C	65°C	70°C	75°C	80°C		
MULTIVECTOR 970	Low	0.51	0.62	0.74	0.85	0.97	1.10	1.24	1.37	1.50	340	26
	Medium	0.70	0.82	0.94	1.06	1.18	1.38	1.59	1.79	1.99	340	32
	High	0.91	1.11	1.30	1.50	1.69	1.89	2.09	2.29	2.48	340	37

BS4856; Methods for testing and rating fan coil units, unit heaters and unit coolers.  
Tested with shown EWT & 18°C EAT.  
Sound Level measured at SRL (Sound Research Laboratory Testing) in accordance with BS 4856-4:1997.