

# Space Saver - Electric

Kitchen | Utility



**A highly energy efficient fan convactor that fits neatly into the plinth of a kitchen unit and eliminates the need for conventional radiators**

Makes room for extra kitchen storage, work space, or additional appliances

More affordable than underfloor heating and get the flooring you want

Easy to use discreet heating

Suitable for plinth heights from 80mm upwards

Contemporary design with a wide choice of grille colours to suit interior decoration

Two heat outputs and fan only option for instant heat and cool air circulation

Free five years parts and labour warranty

To see which Space Saver plinth heater is most suitable to heat your kitchen, use the Heat Loss Calculator on our website: <https://smithsep.co.uk/heat-loss-calculator/>



## Alternative Grille Finishes

Most Space Saver models are supplied with a detachable Stainless Steel fascia grille.

Alternative colours are shown below.



Black

Brown

Chrome

White

Grilles shown are for colour reference only and switch configuration varies by product.

The grille accessory is specifically tailored to fit the latest version MK5 plinth heater. We advise customers to verify the compatibility of the grille with their product before making a purchase.

## Product Information

### Motor

AC.

### Finish

Fascia grille: Stainless Steel or White RAL 9010 (SS2E, SS3E).  
See under attachments for other fascia grille colours.

### Installation

Correct fascia grille opening must be cut to allow sufficient air intake.  
SS2E and SS3E - 20mm clearance above unit required.  
SS80E - 10mm clearance above unit required.  
Model secured to plinth by two screws through fascia grille.  
Unit must be earthed.

### Controls

Wireless temperature control featuring comfort, set back and run back timer (battery operated) supplied.  
Overheat protection: thermal cut-out.  
Manual reset procedure: switch power off at unit or mains, wait 5 minutes, switch power on.

SS2E: three rocker switches on/off, 1kW, 2kW.

SS3E: two rockers switches 1kW, 2kW, 3kW.

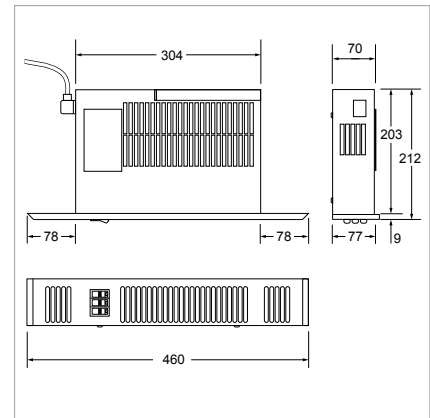
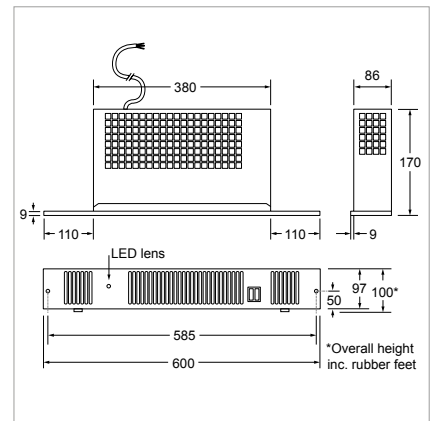
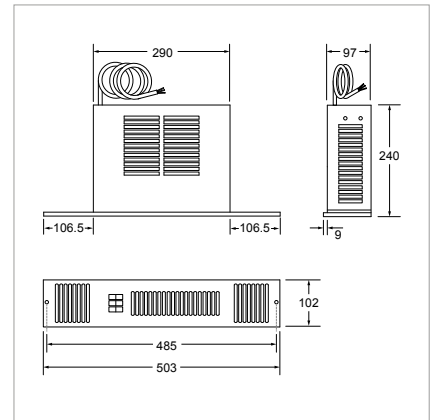
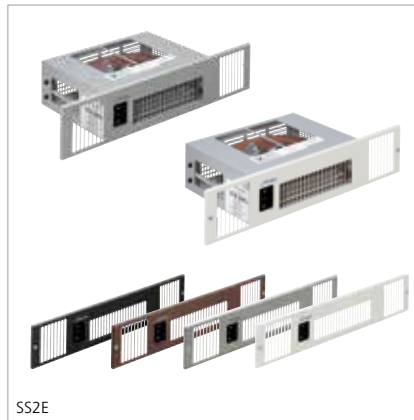
SS80E: three rocker switches on/off, 0.6kW, 1.2kW.

### Accessories

Grilles SS2E: brown (RAL 8016), black (RAL 9005) white (RAL 9010), chrome.  
Alternative grilles for SS2E fit over the supplied grille.

Grilles SS80E: brown (RAL 8016), black (RAL 9005), white (RAL 9010).

## Dimensions



## Controls



## Technical data

### Outputs

Model	Heat Output (kW)	Mains cable	Fused spur	Sound levels (dBA)	Fascia grille finish	Fan-only	Minimum plinth height (mm)
<b>Electric</b>							
SS3E	1kW/2kW/3kW	2m	10A	42	Stainless Steel	•	100
SS2E	1kW/2kW	2m	13A	42	Stainless Steel	•	100
SS80E	0.6kW/1.2kW	2m	10A	42	Stainless Steel	•	80

Sound levels measured at 1.5m.

## Ordering Guide

Model	Packed Wt (kg)	Product Codes
<b>Electric</b>		
SPACE SAVER SS2E (STAINLESS STEEL GRILLE)	4	HPSS10070
SPACE SAVER SS2E (WHITE GRILLE)	4	HPSS10079
SPACE SAVER SS3E (STAINLESS STEEL GRILLE)	5	HPSS10075
SPACE SAVER SS3E (WHITE GRILLE)	5	HPSS10084
SPACE SAVER SS80E (STAINLESS STEEL GRILLE)	4	HPSS10073

Accessories	Colour	Product Codes
SPACE SAVER SS2E GRILLE	BROWN	HASS10131
SPACE SAVER SS2E GRILLE	BLACK	HASS10132
SPACE SAVER SS2E GRILLE	WHITE	HASS10133
SPACE SAVER SS2E GRILLE	CHROME	HASS10134
SPACE SAVER SS80E GRILLE	BROWN	HASS10151
SPACE SAVER SS80E GRILLE	BLACK	HASS10152
SPACE SAVER SS80E GRILLE	WHITE	HASS10153
SPACE SAVER SS80E GRILLE	CHROME	HASS10164
FLEXIBLE HOSES 15MM PAIR		HAGA95002

The grille accessory is specifically tailored to fit the latest version MK5 plinth heater. We advise customers to verify the compatibility of the grille with their product before making a purchase.

**Attachments**

**SS2E**



**Attachments** (to be ordered separately)



**SS3E**



**SS80E**



**Attachments** (to be ordered separately)

