



A range of fan convectors suitable for all kinds of commercial applications

Caspian[®] Range



CASPIAN® RANGE

Fan convectors provide a versatile, energy efficient alternative to radiators and underfloor heating; and are just as easy to install

They are compatible with every type of heat generator; they can be paired with everything from condensing gas and oil powered boilers to renewable technology like ground or air source heat pumps. In fact, fan convectors are especially compatible with ground source and air source heat pumps because they can work with flow temperatures as low as 40°C.

Using forced convection, fan convectors ensure that rooms heat up more quickly, delivering a more even temperature spread, than heat emitters using natural convection. They can be installed and positioned to suit each room's size and shape, rather than having to obey the installation rules that govern radiators.

This ability to deliver heat effectively and efficiently makes them attractive when renovating buildings or specifying heating for new build projects. Unlike radiators, which can be bulky and hot to touch, fan convectors are compact, lightweight, and have very low surface temperatures. They are completely safe; ideal for rooms or buildings regularly used by children, the elderly or other vulnerable groups.

Finally, fan convectors only use 5% of the water content of an equivalent output radiator, ensuring they are far more responsive to people's personal temperature preferences, as well as ever-changing daily weather patterns. In short, as part of a commercial heating system, fan convectors play an important role in providing versatility, more-instant heat, better use of space and greater control for end-users in the commercial market.

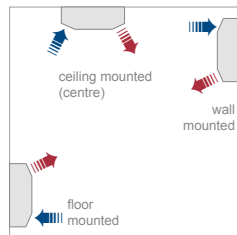
NEW! The Smith's Smart Control has been developed to integrate several of the most commonly sought-after control features into one control unit and more (see page 4).

A quick overview of the Caspian range and mounting options available for all of your application needs

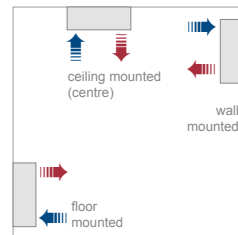
CASPIAN COMMERCIAL RANGE



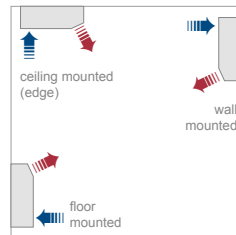
CASPIAN UV p10



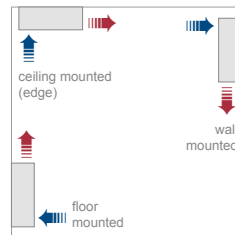
CASPIAN FF p11



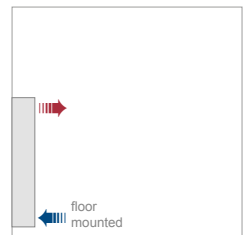
CASPIAN SL p12



CASPIAN TT p13



CASPIAN EXT p14



CASPIAN SMART CONTROL

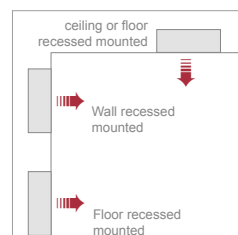


CASPIAN SMART CONTROL p4

CASPIAN CONCEALED



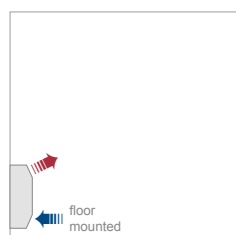
CASPIAN UVC p16



CASPIAN LOW SURFACE TEMPERATURE



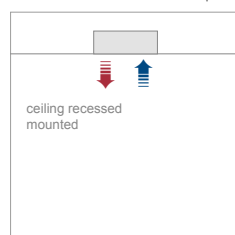
CASPIAN LST p20



CASPIAN SKYLINE CEILING RECESSED



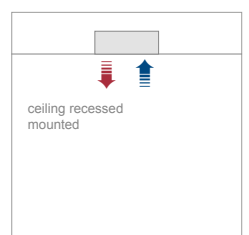
CASPIAN SKYLINE CASPIAN CTFF p22 p24



CASPIAN SKYLINE E CEILING RECESSED



CASPIAN SKYLINE E p26



CASPIAN® - SMART CONTROLS

The Smith's Smart Control has been developed to integrate several of the most commonly sought-after control features into one control unit and more.

At the basic level it offers room temperature control and additionally offers a range of time controlling features too, making it perfect for buildings that serve a varied community demand.

The Smart Control can automatically control the fan speed of the Caspian fan convector, adjusting it in relation to the air temperature in the room providing a fast heat up period when required, and the quietest possible operation during occupied periods. There is a manual override facility too.

Suitable for schools, churches, village halls, community centres, offices, medical practices, retail outlets, restaurants, hotels and sports centres.

Smart Control features a summer mode where air circulation can be achieved without heat in summer months.



Heat mode



Cool mode

The control interface unit can be:



wall mounted (remote) for convenience, for example, where the heater is at high level



flush mounted in the product fascia



internally mounted (tamper-proof)





Thermostat Features

- Control of 2/4 pipe fan coils
- Multiple configurations
- Large LCD
- Maintain room temperature via built in temperature sensor, or external room temperature/return air temperature sensor
- Programming options: 5+2 (5 days same +2days same); individual day every week; all 7 days same
- ECO mode
- Fan speed Hi/Mi/Lo control (automatic or manual)
- Advanced fan control functions (fan start/stop, delay, fan continuously running in manual mode, or depending on heating cooling demand)
- Auto Frost protection
- Configurable inputs (occupancy sensor or temperature)
- Installer settings
- Span or TPI temperature control algorithm
- Local or remote control by Smart Home App
- Wireless software update by Smith's Smart hub
- Dirty filter notification
- User settings are saved and restored after power break
- Button lock function

More advanced capabilities

It is possible to have master and slave Caspian fan convectors that integrate the entire range of EC Caspian products.

The thermostats can be used as standalone localised controls, or with the integration of our hub control multiple thermostats using our ZigBee platform and controlled via app over the internet. This level of control is cost effective and is far more economical than using a full BMS system. The control system with the app is very configurable to the needs of the building users and can integrate with many other smart features, like boiler receivers, door, and window sensors. A key advantage to many community buildings is the ability to control the buildings' services remotely and the app makes this all possible.

Smith's Smart Control can become a part of a much wider control system in a building. It is possible to integrate wireless relays to control other appliances like boilers, along with proximity sensors to control lighting.

The system can be expanded in many ways and the app can interact with other apps using IFTTT.

The only limit is your creativity and willingness to embrace new technologies.

Technical Support

It can be difficult to assess the requirements for a buildings control strategy, so Smith's Technical Support Team will help guide you through, with proposals for your project.

Where drawings can be provided, a desktop exercise can be undertaken to specify the required components, but we are happy to attend site too.

We have taken great care to ensure we have partnered with the best possible providers and have undertaken various site tests in public buildings.

Smith's can bring experience to your project and assist in conveying the many benefits to your customers.

CASPIAN® - SMART CONTROLS

The Smith's Smart Control has been developed to integrate several of the most commonly sought-after control features into one control unit and more.

Ordering Guide

| Description | Product Codes |
|--|---------------|
| SL60 EC C/W FASCIA MOUNTED SMART CONTROL | HPCA32008 |
| SL90 EC C/W FASCIA MOUNTED SMART CONTROL | HPCA32009 |
| SL120 EC C/W FASCIA MOUNTED SMART CONTROL | HPCA32010 |
| SL150 EC C/W FASCIA MOUNTED SMART CONTROL | HPCA32011 |
| SL180 EC C/W FASCIA MOUNTED SMART CONTROL | HPCA32012 |
| FF60 EC C/W FASCIA MOUNTED SMART CONTROL | HPCA32013 |
| FF90 EC C/W FASCIA MOUNTED SMART CONTROL | HPCA32014 |
| FF120 EC C/W FASCIA MOUNTED SMART CONTROL | HPCA32015 |
| FF150 EC C/W FASCIA MOUNTED SMART CONTROL | HPCA32016 |
| FF180 EC C/W FASCIA MOUNTED SMART CONTROL | HPCA32017 |
| UV60 EC C/W INTERNAL TAMPERPROOF SMART CONTROL | HPCA32018 |
| UV90 EC C/W INTERNAL TAMPERPROOF SMART CONTROL | HPCA32019 |
| UV120 EC C/W INTERNAL TAMPERPROOF SMART CONTROL | HPCA32020 |
| UV150 EC C/W INTERNAL TAMPERPROOF SMART CONTROL | HPCA32021 |
| UV180 EC C/W INTERNAL TAMPERPROOF SMART CONTROL | HPCA32022 |
| SL60 EC C/W INTERNAL TAMPERPROOF SMART CONTROL | HPCA32023 |
| SL90 EC C/W INTERNAL TAMPERPROOF SMART CONTROL | HPCA32024 |
| SL120 EC C/W INTERNAL TAMPERPROOF SMART CONTROL | HPCA32025 |
| SL150 EC C/W INTERNAL TAMPERPROOF SMART CONTROL | HPCA32026 |
| SL180 EC C/W INTERNAL TAMPERPROOF SMART CONTROL | HPCA32027 |
| FF60 EC C/W INTERNAL TAMPERPROOF SMART CONTROL | HPCA32028 |
| FF90 EC C/W INTERNAL TAMPERPROOF SMART CONTROL | HPCA32029 |
| FF120 EC C/W INTERNAL TAMPERPROOF SMART CONTROL | HPCA32030 |
| FF150 EC C/W INTERNAL TAMPERPROOF SMART CONTROL | HPCA32031 |
| FF180 EC C/W INTERNAL TAMPERPROOF SMART CONTROL | HPCA32032 |
| EXT60 EC C/W INTERNAL TAMPERPROOF SMART CONTROL | HPCA32033 |
| EXT90 EC C/W INTERNAL TAMPERPROOF SMART CONTROL | HPCA32034 |
| EXT120 EC C/W INTERNAL TAMPERPROOF SMART CONTROL | HPCA32035 |
| EXT150 EC C/W INTERNAL TAMPERPROOF SMART CONTROL | HPCA32036 |
| EXT180 EC C/W INTERNAL TAMPERPROOF SMART CONTROL | HPCA32037 |
| TT60 EC C/W INTERNAL TAMPERPROOF SMART CONTROL | HPCA32059 |
| TT90 EC C/W INTERNAL TAMPERPROOF SMART CONTROL | HPCA32060 |
| TT120 EC C/W INTERNAL TAMPERPROOF SMART CONTROL | HPCA32061 |
| TT150 EC C/W INTERNAL TAMPERPROOF SMART CONTROL | HPCA32062 |
| TT180 EC C/W INTERNAL TAMPERPROOF SMART CONTROL | HPCA32063 |

| Description | Product Codes |
|---|---------------|
| UV60 EC C/W REMOTE SMART CONTROL | HPCA32038 |
| UV90 EC C/W REMOTE SMART CONTROL | HPCA32039 |
| UV120 EC C/W REMOTE SMART CONTROL | HPCA32040 |
| UV150 EC C/W REMOTE SMART CONTROL | HPCA32041 |
| UV180 EC C/W REMOTE SMART CONTROL | HPCA32042 |
| SL60 EC C/W REMOTE SMART CONTROL | HPCA32043 |
| SL90 EC C/W REMOTE SMART CONTROL | HPCA32044 |
| SL120 EC C/W REMOTE SMART CONTROL | HPCA32045 |
| SL150 EC C/W REMOTE SMART CONTROL | HPCA32046 |
| SL180 EC C/W REMOTE SMART CONTROL | HPCA32047 |
| FF60 EC C/W REMOTE SMART CONTROL | HPCA32048 |
| FF90 EC C/W REMOTE SMART CONTROL | HPCA32049 |
| FF120 EC C/W REMOTE SMART CONTROL | HPCA32050 |
| FF150 EC C/W REMOTE SMART CONTROL | HPCA32051 |
| FF180 EC C/W REMOTE SMART CONTROL | HPCA32052 |
| EXT60 EC C/W REMOTE SMART CONTROL | HPCA32053 |
| EXT90 EC C/W REMOTE SMART CONTROL | HPCA32054 |
| EXT120 EC C/W REMOTE SMART CONTROL | HPCA32055 |
| EXT150 EC C/W REMOTE SMART CONTROL | HPCA32056 |
| EXT180 EC C/W REMOTE SMART CONTROL | HPCA32057 |
| TT60 EC C/W REMOTE SMART CONTROL | HPCA32064 |
| TT90 EC C/W REMOTE SMART CONTROL | HPCA32065 |
| TT120 EC C/W REMOTE SMART CONTROL | HPCA32066 |
| TT150 EC C/W REMOTE SMART CONTROL | HPCA32067 |
| TT180 EC C/W REMOTE SMART CONTROL | HPCA32068 |
| CT60 EC C/W REMOTE SMART CONTROL | HPCA32058 |
| CASPIAN SKYLINE CTF 60 C/W REMOTE SMART CONTROL | HPCA30005 |
| CASPIAN SKYLINE CTF 120 C/W REMOTE SMART CONTROL | HPCA30004 |
| SMITHS HUB FOR CASPIAN SMART CONTROL | HACA33130 |
| SMITHS COMBINED SMART PLUG & REPEATER SP600 | HACA33133 |
| SMITHS REPEATER FOR CASPIAN SMART CONTROLS RE600 | HACA33134 |
| SMITHS SMART BUTTON FOR CASPIAN SMART CONTROLS B600 | HACA33135 |
| SMITHS SMART WINDOW DOOR SENSOR SLIM OS600 | HACA33136 |
| SMITHS SMART WINDOW DOOR SENSOR SLIM SW600 | HACA33137 |
| SMITHS SMART BOILER RECEIVER RX10RF | HACA33138 |
| SMITHS SMART RELAY SR600 | HACA33139 |





CASPIAN® COMMERCIAL RANGE

Fan convectors suitable for all kinds of commercial applications, from schools and churches to office developments, with the ability to rapidly heat large areas quicker than other heat emitters

Caspian fan convectors are both a practical and high quality heating solution for any commercial project

Incorporating the latest EC motor technology, which can result in running-cost savings as high as 70%, and with variable speed control as standard, the Caspian delivers heat quickly and quietly

It is possible to have master and slave Caspian fan convectors that integrate the entire range of EC Caspian products. Please contact either our sales team or technical team to ensure that this is correctly specified

Caspian are compatible with most types of wet central heating systems, functioning equally efficiently with conventional boilers, biomass technology or ground or air source heat pumps

The airflow can be reversed so that the warm air is discharged from the lower vent. Please contact either our sales team or technical team to ensure that the correct inlet/discharge positioning is specified

Available with antibacterial paint (see page 15)

Now available with Smart Control (see page 4)

Applications

Education, healthcare, places of worship, leisure and sport office, hospitality, retail, showroom and industrial.

Motor

EC (BMS compliant).

Finish

Casing: zinc-coated steel 1.2mm.

Polyester powder-coated: white RAL 9010.

Available to special order in any colour and with anti-microbial or anti-bacterial paint (see page 15).

Filter

Class G2, 100% polyester, non-washable.

Installation

Suitable for two-pipe central heating systems.

Maximum installation height for high or ceiling mounting, - 4m to underside.

Pipework access holes on the rear and underside.

Key operated front access panels.

Bleed valve accessible on removal of front casing.

Unit must be earthed.

Commissioning

Check water is hot enough to activate the low temperature cut-out thermostat.

Controls

See accessories tables. Smart Control available (see page 4)

Heat output - EC

| Model Reference | Fan Speed | Control Voltage VDC | 40°C MWT | 45°C MWT | 50°C MWT | 55°C MWT | 60°C MWT | 65°C MWT | 70°C MWT | 75°C MWT | 80°C MWT |
|-----------------|-----------|---------------------|----------|----------|----------|----------|----------|----------|----------|----------|----------|
| EC 60 | Low | 3.8 | 0.85 | 1.20 | 1.55 | 1.96 | 2.37 | 2.78 | 3.19 | 3.61 | 4.02 |
| | Mid | 4.9 | 1.13 | 1.62 | 2.10 | 2.58 | 3.06 | 3.55 | 4.03 | 4.51 | 5.00 |
| | High | 6.4 | 1.47 | 2.05 | 2.63 | 3.21 | 3.79 | 4.36 | 4.94 | 5.52 | 6.10 |
| EC 90 | Low | 3.2 | 1.98 | 2.55 | 3.11 | 3.67 | 4.24 | 4.80 | 5.37 | 5.93 | 6.50 |
| | Mid | 4.6 | 2.80 | 3.58 | 4.36 | 5.14 | 5.91 | 6.69 | 7.47 | 8.25 | 9.03 |
| | High | 6.1 | 3.68 | 4.65 | 5.62 | 6.59 | 7.55 | 8.52 | 9.49 | 10.46 | 11.42 |
| EC 120 | Low | 3.1 | 3.03 | 3.61 | 4.19 | 4.78 | 5.36 | 5.94 | 6.53 | 7.11 | 7.69 |
| | Mid | 4.3 | 3.91 | 4.87 | 5.82 | 6.78 | 7.74 | 8.70 | 9.65 | 10.61 | 11.57 |
| | High | 5.5 | 4.84 | 6.00 | 7.17 | 8.33 | 9.49 | 10.66 | 11.82 | 12.99 | 14.15 |
| EC 150 | Low | 2.9 | 3.59 | 4.57 | 5.55 | 6.53 | 7.51 | 8.49 | 9.47 | 10.45 | 11.44 |
| | Mid | 4.0 | 4.77 | 6.10 | 7.43 | 8.76 | 10.08 | 11.41 | 12.74 | 14.07 | 15.39 |
| | High | 5.1 | 6.47 | 7.71 | 8.96 | 10.21 | 11.45 | 12.70 | 13.94 | 15.19 | 16.43 |
| EC 180 | Low | 2.8 | 4.69 | 5.92 | 7.15 | 8.39 | 9.62 | 10.85 | 12.08 | 13.31 | 14.55 |
| | Mid | 3.9 | 4.93 | 7.15 | 9.38 | 11.60 | 13.82 | 16.05 | 18.27 | 20.49 | 22.72 |
| | High | 4.9 | 7.90 | 9.74 | 11.58 | 13.42 | 15.27 | 17.11 | 18.95 | 20.79 | 22.63 |

| Model Reference | Fan Speed | Air Volume (m³/h) | Air Volume (l/s) | Specific Fan Power w/l/s | Power Consumption (W) | NR in typical room* | Hydraulic Resistance (KPA) | Nominal Weight (KG) | Water Capacity (L) |
|-----------------|-----------|-------------------|------------------|--------------------------|-----------------------|---------------------|----------------------------|---------------------|--------------------|
| EC 60 | Low | 201.00 | 55.90 | 0.14 | 8.00 | 34.00 | 1.38 | 23.00 | 0.92 |
| | Mid | 290.50 | 80.75 | 0.26 | 21.00 | 41.50 | 1.69 | | |
| | High | 380.00 | 105.60 | 0.32 | 34.00 | 49.50 | 2.00 | | |
| EC 90 | Low | 297.00 | 80.75 | 0.20 | 16.00 | 34.00 | 4.70 | 36.00 | 1.50 |
| | Mid | 450.50 | 124.38 | 0.34 | 42.00 | 41.50 | 5.85 | | |
| | High | 604.00 | 168.00 | 0.40 | 68.00 | 49.97 | 7.00 | | |
| EC 120 | Low | 419.30 | 116.50 | 0.14 | 16.00 | 34.00 | 17.78 | 45.00 | 2.08 |
| | Mid | 549.65 | 152.68 | 0.26 | 40.00 | 42.00 | 20.59 | | |
| | High | 680.00 | 188.89 | 0.34 | 64.00 | 49.96 | 23.40 | | |
| EC 150 | Low | 459.80 | 127.72 | 0.17 | 22.00 | 34.70 | 22.23 | 60.00 | 2.58 |
| | Mid | 598.10 | 166.14 | 0.35 | 59.00 | 41.50 | 29.46 | | |
| | High | 736.40 | 205.56 | 0.47 | 96.00 | 49.38 | 36.69 | | |
| EC 180 | Low | 542.00 | 150.56 | 0.19 | 29.00 | 34.90 | 47.83 | 78.00 | 3.18 |
| | Mid | 690.00 | 191.67 | 0.40 | 78.50 | 41.50 | 60.76 | | |
| | High | 838.00 | 232.78 | 0.55 | 128.00 | 49.00 | 73.70 | | |

*a typical room is taken as a room with a volume of 173m³ and a reverberation time of 0.8 seconds at 500 Hz with one unit installed, situated against a wall or ceiling (radiating noise in a quartersphere). No allowance is made for attenuation provided by ceilings, enclosures or ductwork. Outputs based upon testing at EN442: 2014 using mean water temperature and an entering air temperature of 20°C with a 10°C temperature drop between flow and return.

Correction factors

| Mean Water Temp °C | | 45 - 80 | | | |
|-----------------------------|----|---------|------|------|------|
| Water Temperature drop °C | | 5 | 10 | 15 | 20 |
| Entering Air Temperature °C | 15 | 1.13 | 1.10 | 1.07 | 1.05 |
| | 18 | 1.08 | 1.05 | 1.02 | 0.99 |
| | 20 | 1.04 | 1.00 | 0.95 | 0.89 |
| | 25 | 0.93 | 0.91 | 0.89 | 0.86 |

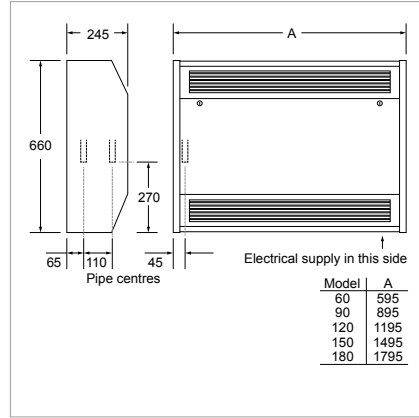
How to calculate Mean Water Temperature

$$\text{Mean water temperature } (\Delta T) = \frac{\text{Flow temperature} + \text{Return temperature}}{2}$$

Factors are approximate data based upon a standard coil.

CASPIAN® UV

One heating solution, suitable for high, low or ceiling mounted applications



Ordering guide

| Model | Packed Wt (kg) | Product Codes |
|-------------------|----------------|---------------|
| CASPIAN UV 60 EC | 23 | HPCA20001 |
| CASPIAN UV 90 EC | 36 | HPCA20002 |
| CASPIAN UV 120 EC | 45 | HPCA20003 |
| CASPIAN UV 150 EC | 60 | HPCA20004 |
| CASPIAN UV 180 EC | 78 | HPCA20005 |

Specification

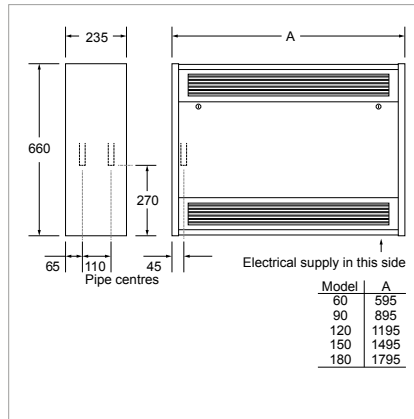
To specify state:

Fan Convecter with EC motor, in 1.2mm zinc coated steel, 660mm high and 595mm, 895mm, 1195mm, 1495mm or 1795mm wide. With variable heat output controller. As Smith's Caspian UV 60, 90, 120, 150, 180.

| Plinths | Product Codes | |
|--|---------------|-----------|
| | 100mm | 150mm |
| CASPIAN UV/LST 60 PLINTH BLACK | HACA33106 | HACA33097 |
| CASPIAN UV/LST 90 PLINTH BLACK | HACA33107 | HACA33098 |
| CASPIAN UV/LST 120 PLINTH BLACK | HACA33108 | HACA33099 |
| CASPIAN UV/LST 150 PLINTH BLACK | HACA33109 | HACA33100 |
| CASPIAN UV/LST 180 PLINTH BLACK | HACA33110 | HACA33101 |
| CASPIAN UV/LST 60 PLINTH WHITE | HACA33111 | HACA33006 |
| CASPIAN UV/LST 90 PLINTH WHITE | HACA33112 | HACA33007 |
| CASPIAN UV/LST 120 PLINTH WHITE | HACA33113 | HACA33008 |
| CASPIAN UV/LST 150 PLINTH WHITE | HACA33114 | HACA33009 |
| CASPIAN UV/LST 180 PLINTH WHITE | HACA33115 | HACA33010 |
| Accessories | Product Codes | |
| PENCIL PROOF GRILLE INSERT (PAIR TO SUIT FF, SL & UV 60) | HACA33069 | |
| PENCIL PROOF GRILLE INSERT (PAIR TO SUIT FF, SL & UV 90) | HACA33070 | |
| PENCIL PROOF GRILLE INSERT (PAIR TO SUIT FF, SL & UV 120) | HACA33071 | |
| PENCIL PROOF GRILLE INSERT (PAIR TO SUIT FF, SL & UV 150) | HACA33072 | |
| PENCIL PROOF GRILLE INSERT (PAIR TO SUIT FF, SL & UV 180) | HACA33073 | |
| FLEXIBLE HOSES 22MM PAIR | HAGA95003 | |
| ROOM THERMOSTAT HARD WIRED | HAGA95001 | |
| ROOM THERMOSTAT TAMPER PROOF | HAGA95004 | |
| CASPIAN PROPORTIONAL HEAT OUTPUT CONTROLLER 15°-25° INTEGRAL (EC) | HACA33005 | |
| CASPIAN PROPORTIONAL HEAT OUTPUT CONTROLLER 15°-25° REMOTE SENSOR (EC) | HACA33037 | |
| CASPIAN PROPORTIONAL HEAT OUTPUT CONTROLLER 11°-21° INTEGRAL (EC) | HACA33117 | |
| CASPIAN PROPORTIONAL HEAT OUTPUT CONTROLLER 11°-21° REMOTE SENSOR (EC) | HACA33118 | |
| BLANK CONFIGURABLE PROPORTIONAL HEAT OUTPUT CONTROLLER (PROGRAMMED AT FACTORY) | HACA33126 | |
| CASPIAN ADJUSTABLE LOW TEMPERATURE CUT-OUT | HACA33001 | |
| CASPIAN EXTERNAL CONTROL HARNESS (EC) | HACA33004 | |
| CASPIAN EC LINKING KIT (MASTER/SLAVE) | HACA33068 | |
| CASPIAN REMOTE SWITCHING ON/OFF RELAY (24V AC COIL) | HACA33127 | |
| CASPIAN EC THERMOSTAT (T1) & AUTO-SPEED CONTROL (T2) C/W CIRCUIT BOARD | HACA33039 | |
| CASPIAN THERMOSTAT (T1) (EC LOW LEVEL) | HACA33002 | |
| CASPIAN EC AUTO-SPEED CONTROL (T2) C/W CIRCUIT BOARD | HACA33038 | |

CASPIAN® FF

Can be installed in an adjacent room, or storage cupboard, with the warm air outlets positioned at the rear of the appliance and ducted into the adjacent room such as a sports hall or even a narrow corridor, permitting an obstruction free wall space



Ordering guide

| Model | Packed Wt (kg) | Product Codes |
|--------------------|----------------|---------------|
| CASPIAN FF 60 | 24 | HPCA22001 |
| CASPIAN FF 90 | 39 | HPCA22002 |
| CASPIAN FF 120 | 46 | HPCA22003 |
| CASPIAN FF 150 | 61 | HPCA22004 |
| CASPIAN FF 180 | 76 | HPCA22005 |
| Rear Outlet | | |
| CASPIAN FF 60 | 24 | HPCA22006 |
| CASPIAN FF 90 | 39 | HPCA22007 |
| CASPIAN FF 120 | 46 | HPCA22008 |
| CASPIAN FF 150 | 61 | HPCA22009 |
| CASPIAN FF 180 | 76 | HPCA22010 |

Specification

To specify state:

Fan Convector with EC motor, in 1.2mm zinc coated steel, 660mm high and 595mm, 895mm, 1195mm, 1495mm or 1795mm wide. With variable heat output controller. As Smith's Caspian FF 60, 90, 120, 150, 180.

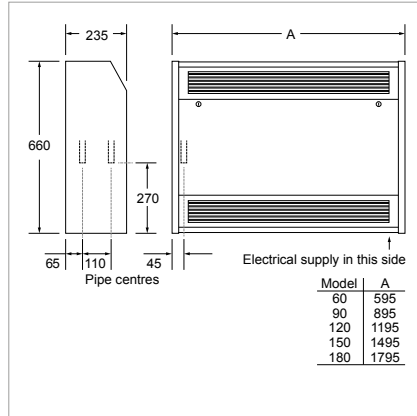
Rear outlet



| Plinths | Product Codes | | | |
|--|---------------|--------------------|----------------------|-------------|
| | 100mm Black | 100mm White | 150mm Black | 150mm White |
| CASPIAN FF/EXT/SL/TT 60 PLINTH | HACA33077 | HACA33087 | HACA33082 | HACA33092 |
| CASPIAN FF/EXT/SL/TT 90 PLINTH | HACA33078 | HACA33088 | HACA33083 | HACA33093 |
| CASPIAN FF/EXT/SL/TT 120 PLINTH | HACA33079 | HACA33089 | HACA33084 | HACA33094 |
| CASPIAN FF/EXT/SL/TT 150 PLINTH | HACA33080 | HACA33090 | HACA33085 | HACA33095 |
| CASPIAN FF/EXT/SL/TT 180 PLINTH | HACA33081 | HACA33091 | HACA33086 | HACA33096 |
| Accessories | | White Steel | Black steel | |
| POWDER-COATED STEEL INLET/OUTLET GRILLE (TO SUIT FF & EXT RO 60) | | HACA33048 | HACA33053 | |
| POWDER-COATED STEEL INLET/OUTLET GRILLE (TO SUIT FF & EXT RO 90) | | HACA33049 | HACA33054 | |
| POWDER-COATED STEEL INLET/OUTLET GRILLE (TO SUIT FF & EXT RO 120) | | HACA33050 | HACA33055 | |
| POWDER-COATED STEEL INLET/OUTLET GRILLE (TO SUIT FF & EXT RO 150) | | HACA33051 | HACA33056 | |
| POWDER-COATED STEEL INLET/OUTLET GRILLE (TO SUIT FF & EXT RO 180) | | HACA33052 | HACA33057 | |
| Accessories | | | Product Codes | |
| ADJUSTABLE STRAIGHT AIR INLET/OUTLET EXTENSION DUCT (TO SUIT EXT & FF RO 60) | | | HACA33043 | |
| ADJUSTABLE STRAIGHT AIR INLET/OUTLET EXTENSION DUCT (TO SUIT EXT & FF RO 90) | | | HACA33044 | |
| ADJUSTABLE STRAIGHT AIR INLET/OUTLET EXTENSION DUCT (TO SUIT EXT & FF RO 120) | | | HACA33045 | |
| ADJUSTABLE STRAIGHT AIR INLET/OUTLET EXTENSION DUCT (TO SUIT EXT & FF RO 150) | | | HACA33046 | |
| ADJUSTABLE STRAIGHT AIR INLET/OUTLET EXTENSION DUCT (TO SUIT EXT & FF RO 180) | | | HACA33047 | |
| ANODISED ALUMINIUM INLET/OUTLET GRILLE (TO SUIT FF & EXT RO 60) | | | HACA33058 | |
| ANODISED ALUMINIUM INLET/OUTLET GRILLE (TO SUIT FF & EXT RO 90) | | | HACA33059 | |
| ANODISED ALUMINIUM INLET/OUTLET GRILLE (TO SUIT FF & EXT RO 120) | | | HACA33060 | |
| ANODISED ALUMINIUM INLET/OUTLET GRILLE (TO SUIT FF & EXT RO 150) | | | HACA33061 | |
| ANODISED ALUMINIUM INLET/OUTLET GRILLE (TO SUIT FF & EXT RO 180) | | | HACA33062 | |
| PENCIL PROOF GRILLE INSERT (PAIR TO SUIT FF, SL & UV 60) | | | HACA33069 | |
| PENCIL PROOF GRILLE INSERT (PAIR TO SUIT FF, SL & UV 90) | | | HACA33070 | |
| PENCIL PROOF GRILLE INSERT (PAIR TO SUIT FF, SL & UV 120) | | | HACA33071 | |
| PENCIL PROOF GRILLE INSERT (PAIR TO SUIT FF, SL & UV 150) | | | HACA33072 | |
| PENCIL PROOF GRILLE INSERT (PAIR TO SUIT FF, SL & UV 180) | | | HACA33073 | |
| FLEXIBLE HOSES 22MM PAIR | | | HAGA95003 | |
| ROOM THERMOSTAT HARD WIRED | | | HAGA95001 | |
| ROOM THERMOSTAT TAMPER PROOF | | | HAGA95004 | |
| CASPIAN PROPORTIONAL HEAT OUTPUT CONTROLLER 15°-25° INTEGRAL (EC) | | | HACA33005 | |
| CASPIAN PROPORTIONAL HEAT OUTPUT CONTROLLER 15°-25° REMOTE SENSOR (EC) | | | HACA33037 | |
| CASPIAN PROPORTIONAL HEAT OUTPUT CONTROLLER 11°-21° INTEGRAL (EC) | | | HACA33117 | |
| CASPIAN PROPORTIONAL HEAT OUTPUT CONTROLLER 11°-21° REMOTE SENSOR (EC) | | | HACA33118 | |
| BLANK CONFIGURABLE PROPORTIONAL HEAT OUTPUT CONTROLLER (PROGRAMMED AT FACTORY) | | | HACA33126 | |
| CASPIAN ADJUSTABLE LOW TEMPERATURE CUT-OUT | | | HACA33001 | |
| CASPIAN EXTERNAL CONTROL HARNESS (EC) | | | HACA33004 | |
| CASPIAN EC LINKING KIT (MASTER/SLAVE) | | | HACA33068 | |
| CASPIAN REMOTE SWITCHING ON/OFF RELAY (24V AC COIL) | | | HACA33127 | |
| CASPIAN EC THERMOSTAT (T1) & AUTO-SPEED CONTROL (T2) C/W CIRCUIT BOARD | | | HACA33039 | |
| CASPIAN THERMOSTAT (T1) (EC LOW LEVEL) | | | HACA33002 | |
| CASPIAN EC AUTO-SPEED CONTROL (T2) C/W CIRCUIT BOARD | | | HACA33038 | |

CASPIAN® SL

Warm air is discharged at an upward 45° angle to avoid causing discomfort to people sitting adjacent to appliance and with chamfered profile to avoid sharp corners



Ordering guide

| Model | Packed Wt (kg) | Product Codes |
|----------------|----------------|---------------|
| CASPIAN SL 60 | 23 | HPCA31501 |
| CASPIAN SL 90 | 36 | HPCA31502 |
| CASPIAN SL 120 | 45 | HPCA31503 |
| CASPIAN SL 150 | 60 | HPCA31504 |
| CASPIAN SL 180 | 78 | HPCA31505 |

Specification

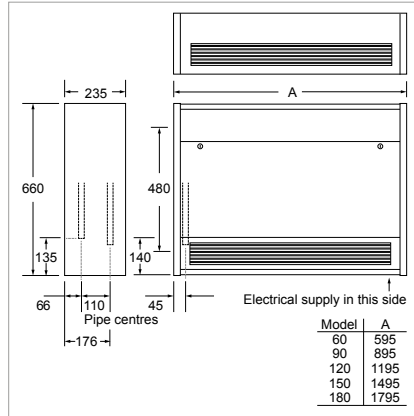
To specify state:

Fan Convecter with EC motor, in 1.2mm zinc coated steel, 660mm high and 595mm, 895mm, 1195mm, 1495mm or 1795mm wide. With variable heat output controller. As Smith's Caspian SL 60, 90, 120, 150, 180.

| Plinths | Product Codes | |
|--|---------------|-----------|
| | 100mm | 150mm |
| CASPIAN FF/EXT/SL/TT 60 PLINTH BLACK | HACA33077 | HACA33082 |
| CASPIAN FF/EXT/SL/TT 90 PLINTH BLACK | HACA33078 | HACA33083 |
| CASPIAN FF/EXT/SL/TT 120 PLINTH BLACK | HACA33079 | HACA33084 |
| CASPIAN FF/EXT/SL/TT 150 PLINTH BLACK | HACA33080 | HACA33085 |
| CASPIAN FF/EXT/SL/TT 180 PLINTH BLACK | HACA33081 | HACA33086 |
| CASPIAN FF/EXT/SL/TT 60 PLINTH WHITE | HACA33087 | HACA33092 |
| CASPIAN FF/EXT/SL/TT 90 PLINTH WHITE | HACA33088 | HACA33093 |
| CASPIAN FF/EXT/SL/TT 120 PLINTH WHITE | HACA33089 | HACA33094 |
| CASPIAN FF/EXT/SL/TT 150 PLINTH WHITE | HACA33090 | HACA33095 |
| CASPIAN FF/EXT/SL/TT 180 PLINTH WHITE | HACA33091 | HACA33096 |
| Accessories | Product Codes | |
| PENCIL PROOF GRILLE INSERT (PAIR TO SUIT FF, SL & UV 60) | HACA33069 | |
| PENCIL PROOF GRILLE INSERT (PAIR TO SUIT FF, SL & UV 90) | HACA33070 | |
| PENCIL PROOF GRILLE INSERT (PAIR TO SUIT FF, SL & UV 120) | HACA33071 | |
| PENCIL PROOF GRILLE INSERT (PAIR TO SUIT FF, SL & UV 150) | HACA33072 | |
| PENCIL PROOF GRILLE INSERT (PAIR TO SUIT FF, SL & UV 180) | HACA33073 | |
| FLEXIBLE HOSES 22MM PAIR | HAGA95003 | |
| ROOM THERMOSTAT HARD WIRED | HAGA95001 | |
| ROOM THERMOSTAT TAMPER PROOF | HAGA95004 | |
| CASPIAN PROPORTIONAL HEAT OUTPUT CONTROLLER 15°-25° INTEGRAL (EC) | HACA33005 | |
| CASPIAN PROPORTIONAL HEAT OUTPUT CONTROLLER 15°-25° REMOTE SENSOR (EC) | HACA33037 | |
| CASPIAN PROPORTIONAL HEAT OUTPUT CONTROLLER 11°-21° INTEGRAL (EC) | HACA33117 | |
| CASPIAN PROPORTIONAL HEAT OUTPUT CONTROLLER 11°-21° REMOTE SENSOR (EC) | HACA33118 | |
| BLANK CONFIGURABLE PROPORTIONAL HEAT OUTPUT CONTROLLER (PROGRAMMED AT FACTORY) | HACA33126 | |
| CASPIAN ADJUSTABLE LOW TEMPERATURE CUT-OUT | HACA33001 | |
| CASPIAN EXTERNAL CONTROL HARNESS (EC) | HACA33004 | |
| CASPIAN EC LINKING KIT (MASTER/SLAVE) | HACA33068 | |
| CASPIAN REMOTE SWITCHING ON/OFF RELAY (24V AC COIL) | HACA33127 | |
| CASPIAN EC THERMOSTAT (T1) & AUTO-SPEED CONTROL (T2) C/W CIRCUIT BOARD | HACA33039 | |
| CASPIAN THERMOSTAT (T1) (EC LOW LEVEL) | HACA33002 | |
| CASPIAN EC AUTO-SPEED CONTROL (T2) C/W CIRCUIT BOARD | HACA33038 | |

CASPIAN® TT

Warm air is discharged from the upper surface to avoid causing discomfort to people sitting adjacent to the appliance



Ordering guide

| Model | Packed Wt (kg) | Product Codes |
|-------------------|----------------|---------------|
| CASPIAN TT 60 EC | 24 | HPCA15000 |
| CASPIAN TT 90 EC | 39 | HPCA15001 |
| CASPIAN TT 120 EC | 46 | HPCA15002 |
| CASPIAN TT 150 EC | 61 | HPCA15003 |
| CASPIAN TT 180 EC | 76 | HPCA15004 |

Specification

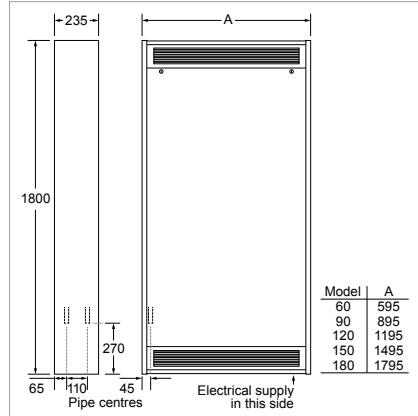
To specify state:

Fan Convector with EC motor, in 1.2mm zinc coated steel, 660mm high and 595mm, 895mm, 1195mm, 1495mm or 1795mm wide. With variable heat output controller. As Smith's Caspian TT 60, 90, 120, 150, 180.

| Plinths | Product Codes | |
|--|---------------|-----------|
| | 100mm | 150mm |
| CASPIAN FF/EXT/SL/TT 60 PLINTH BLACK | HACA33077 | HACA33082 |
| CASPIAN FF/EXT/SL/TT 90 PLINTH BLACK | HACA33078 | HACA33083 |
| CASPIAN FF/EXT/SL/TT 120 PLINTH BLACK | HACA33079 | HACA33084 |
| CASPIAN FF/EXT/SL/TT 150 PLINTH BLACK | HACA33080 | HACA33085 |
| CASPIAN FF/EXT/SL/TT 180 PLINTH BLACK | HACA33081 | HACA33086 |
| CASPIAN FF/EXT/SL/TT 60 PLINTH WHITE | HACA33087 | HACA33092 |
| CASPIAN FF/EXT/SL/TT 90 PLINTH WHITE | HACA33088 | HACA33093 |
| CASPIAN FF/EXT/SL/TT 120 PLINTH WHITE | HACA33089 | HACA33094 |
| CASPIAN FF/EXT/SL/TT 150 PLINTH WHITE | HACA33090 | HACA33095 |
| CASPIAN FF/EXT/SL/TT 180 PLINTH WHITE | HACA33091 | HACA33096 |
| Accessories | Product Codes | |
| FLEXIBLE HOSES 22MM PAIR | HAGA95003 | |
| ROOM THERMOSTAT HARD WIRED | HAGA95001 | |
| ROOM THERMOSTAT TAMPER PROOF | HAGA95004 | |
| CASPIAN PROPORTIONAL HEAT OUTPUT CONTROLLER 15°-25° INTEGRAL (EC) | HACA33005 | |
| CASPIAN PROPORTIONAL HEAT OUTPUT CONTROLLER 15°-25° REMOTE SENSOR (EC) | HACA33037 | |
| CASPIAN PROPORTIONAL HEAT OUTPUT CONTROLLER 11°-21° INTEGRAL (EC) | HACA33117 | |
| CASPIAN PROPORTIONAL HEAT OUTPUT CONTROLLER 11°-21° REMOTE SENSOR (EC) | HACA33118 | |
| BLANK CONFIGURABLE PROPORTIONAL HEAT OUTPUT CONTROLLER (PROGRAMMED AT FACTORY) | HACA33126 | |
| CASPIAN ADJUSTABLE LOW TEMPERATURE CUT-OUT | HACA33001 | |
| CASPIAN EXTERNAL CONTROL HARNESS (EC) | HACA33004 | |
| CASPIAN EC LINKING KIT (MASTER/SLAVE) | HACA33068 | |
| CASPIAN REMOTE SWITCHING ON/OFF RELAY (24V AC COIL) | HACA33127 | |
| CASPIAN EC THERMOSTAT (T1) & AUTO-SPEED CONTROL (T2) C/W CIRCUIT BOARD | HACA33039 | |
| CASPIAN THERMOSTAT (T1) (EC LOW LEVEL) | HACA33002 | |
| CASPIAN EC AUTO-SPEED CONTROL (T2) C/W CIRCUIT BOARD | HACA33038 | |

CASPIAN® EXT

Warm air is delivered at 1.7m from the base/floor level and the heater can be installed as a freestanding appliance



Ordering guide

| Model | Packed Wt (kg) | Product Codes |
|--------------------|----------------|---------------|
| CASPIAN EXT 60 EC | 30 | HPCA24001 |
| CASPIAN EXT 90 EC | 49 | HPCA24002 |
| CASPIAN EXT 120 EC | 58 | HPCA24003 |
| CASPIAN EXT 150 EC | 76 | HPCA24004 |
| CASPIAN EXT 180 EC | 95 | HPCA24005 |

Specification

To specify state:

Fan Convector with EC motor, in 1.2mm zinc coated steel, 1800mm high and 595mm, 895mm, 1195mm, 1495mm or 1795mm wide. With variable heat output controller. As Smith's Caspian EXT 60, 90, 120, 150, 180.

| Plinths | Product Codes | | | |
|--|---------------|-------------|---------------|-------------|
| | 100mm Black | 100mm White | 150mm Black | 150mm White |
| CASPIAN FF/EXT/SL/TT 60 PLINTH | HACA33077 | HACA33087 | HACA33082 | HACA33092 |
| CASPIAN FF/EXT/SL/TT 90 PLINTH | HACA33078 | HACA33088 | HACA33083 | HACA33093 |
| CASPIAN FF/EXT/SL/TT 120 PLINTH | HACA33079 | HACA33089 | HACA33084 | HACA33094 |
| CASPIAN FF/EXT/SL/TT 150 PLINTH | HACA33080 | HACA33090 | HACA33085 | HACA33095 |
| CASPIAN FF/EXT/SL/TT 180 PLINTH | HACA33081 | HACA33091 | HACA33086 | HACA33096 |
| Accessories | | | White Steel | Black steel |
| POWDER-COATED STEEL INLET/OUTLET GRILLE (TO SUIT FF & EXT RO 60) | | | HACA33048 | HACA33053 |
| POWDER-COATED STEEL INLET/OUTLET GRILLE (TO SUIT FF & EXT RO 90) | | | HACA33049 | HACA33054 |
| POWDER-COATED STEEL INLET/OUTLET GRILLE (TO SUIT FF & EXT RO 120) | | | HACA33050 | HACA33055 |
| POWDER-COATED STEEL INLET/OUTLET GRILLE (TO SUIT FF & EXT RO 150) | | | HACA33051 | HACA33056 |
| POWDER-COATED STEEL INLET/OUTLET GRILLE (TO SUIT FF & EXT RO 180) | | | HACA33052 | HACA33057 |
| Accessories | | | Product Codes | |
| ADJUSTABLE STRAIGHT AIR INLET/OUTLET EXTENSION DUCT (TO SUIT EXT & FF RO 60) | | | HACA33043 | |
| ADJUSTABLE STRAIGHT AIR INLET/OUTLET EXTENSION DUCT (TO SUIT EXT & FF RO 90) | | | HACA33044 | |
| ADJUSTABLE STRAIGHT AIR INLET/OUTLET EXTENSION DUCT (TO SUIT EXT & FF RO 120) | | | HACA33045 | |
| ADJUSTABLE STRAIGHT AIR INLET/OUTLET EXTENSION DUCT (TO SUIT EXT & FF RO 150) | | | HACA33046 | |
| ADJUSTABLE STRAIGHT AIR INLET/OUTLET EXTENSION DUCT (TO SUIT EXT & FF RO 180) | | | HACA33047 | |
| ANODISED ALUMINIUM INLET/OUTLET GRILLE (TO SUIT FF & EXT RO 60) | | | HACA33058 | |
| ANODISED ALUMINIUM INLET/OUTLET GRILLE (TO SUIT FF & EXT RO 90) | | | HACA33059 | |
| ANODISED ALUMINIUM INLET/OUTLET GRILLE (TO SUIT FF & EXT RO 120) | | | HACA33060 | |
| ANODISED ALUMINIUM INLET/OUTLET GRILLE (TO SUIT FF & EXT RO 150) | | | HACA33061 | |
| ANODISED ALUMINIUM INLET/OUTLET GRILLE (TO SUIT FF & EXT RO 180) | | | HACA33062 | |
| PENCIL PROOF GRILLE INSERT (PAIR TO SUIT FF, SL & UV 60) | | | HACA33069 | |
| PENCIL PROOF GRILLE INSERT (PAIR TO SUIT FF, SL & UV 90) | | | HACA33070 | |
| PENCIL PROOF GRILLE INSERT (PAIR TO SUIT FF, SL & UV 120) | | | HACA33071 | |
| PENCIL PROOF GRILLE INSERT (PAIR TO SUIT FF, SL & UV 150) | | | HACA33072 | |
| PENCIL PROOF GRILLE INSERT (PAIR TO SUIT FF, SL & UV 180) | | | HACA33073 | |
| FLEXIBLE HOSES 22MM PAIR | | | HAGA95003 | |
| ROOM THERMOSTAT HARD WIRED | | | HAGA95001 | |
| ROOM THERMOSTAT TAMPER PROOF | | | HAGA95004 | |
| CASPIAN PROPORTIONAL HEAT OUTPUT CONTROLLER 15°-25° INTEGRAL (EC) | | | HACA33005 | |
| CASPIAN PROPORTIONAL HEAT OUTPUT CONTROLLER 15°-25° REMOTE SENSOR (EC) | | | HACA33037 | |
| CASPIAN PROPORTIONAL HEAT OUTPUT CONTROLLER 11°-21° INTEGRAL (EC) | | | HACA33117 | |
| CASPIAN PROPORTIONAL HEAT OUTPUT CONTROLLER 11°-21° REMOTE SENSOR (EC) | | | HACA33118 | |
| BLANK CONFIGURABLE PROPORTIONAL HEAT OUTPUT CONTROLLER (PROGRAMMED AT FACTORY) | | | HACA33126 | |
| CASPIAN ADJUSTABLE LOW TEMPERATURE CUT-OUT | | | HACA33001 | |
| CASPIAN EXTERNAL CONTROL HARNESS (EC) | | | HACA33004 | |
| CASPIAN EC LINKING KIT (MASTER/SLAVE) | | | HACA33068 | |
| CASPIAN REMOTE SWITCHING ON/OFF RELAY (24V AC COIL) | | | HACA33127 | |
| CASPIAN EC THERMOSTAT (T1) & AUTO-SPEED CONTROL (T2) C/W CIRCUIT BOARD | | | HACA33039 | |
| CASPIAN THERMOSTAT (T1) (EC LOW LEVEL) | | | HACA33002 | |
| CASPIAN EC AUTO-SPEED CONTROL (T2) C/W CIRCUIT BOARD | | | HACA33038 | |

Rear outlet





SMITH'S ANTIBACTERIAL PAINT

We have developed a paint finish that has antibacterial properties for use on Caspian Fan Convectors (except UVC and Skyline)

Containing the proven Biocote® Antimicrobial Technology, which repeatedly demonstrates broad spectrum antibacterial performance, Smith's antibacterial paint provides additional protection in environments where minimising the risk and transmission of infection is crucial.

It can be applied to products that are located in areas where there is a need to maintain a low level of microbes such as hospitals, health centres and care homes, and where there is high level of human traffic such as schools.

The powder used to make the antibacterial paint, Interpon 610 AM, has been tested for antimicrobial efficacy in accordance with ISO 22196:2011 and exhibited a minimum of 95% and up to 99.99% reduction in the population of E. Coli and MRSA. Using Silver ion technology Biocote® has been proven to be effective against a wide range of the most common bacteria.

- Provides an additional level of antimicrobial growth on the surface of the fan convectors
- Help prevent odours, stains and material deterioration
- Provides 24-hour protection, 7-days a week
- Be easier to keep hygienically clean

Efficacy of Biocote®

A study conducted soon after the H1N1 viral pandemic of 2009 investigated the conversion rate of an H1N1 virus from an infectious to non-infectious form because of its exposure to Biocote® protected products. A variety of surfaces had the virus added to them and were left to grow over night. Half contained the Biocote® Antimicrobial

Additives, and the other half did not. Having been left for a sufficient amount of time for the virus to grow all of the surfaces were assessed for the presence of the virus. On all the materials, the Biocote® protected surfaces were less contaminated with the virus with up to a 99.99% reduction in the virus.

Where should Caspian fan convectors with antibacterial paint be used?

- Schools
- Hospitals
- Care homes
- Health centres
- Dentists surgeries and waiting rooms
- Public buildings including Libraries, Museums and Village Halls

Support

If you require advice on the antibacterial paint please contact our Technical Team: 01245 324560 | technical.sales@smithsep.co.uk



CASPIAN® UVC

The Caspian UVC fan convector was developed for recessed or concealed heating projects and is suitable for high, low or ceiling concealed installations, can even be turned upside down

Compatible with all types of wet central heating systems and any commercial or domestic air source heat pump project, the Caspian UVC has four different main accessories. They function together in any combination to create the recessed or concealed heating solution required, depending on the project specification

Caspian UVC is compatible with most types of wet central heating systems, functioning equally efficiently with conventional boilers, biomass technology or ground or air source heat pumps

Now available with Smart Control (see page 4)

Applications

Education, healthcare, places of worship, leisure and sport, office, hospitality, retail, showroom and industrial.

Motor

EC (BMS compliant).

Finish

Casing: galvanised steel 1.2mm.

Filter

Class G2, 100% polyester, non-washable.

Installation

Suitable for two-pipe central heating systems.
Unit must be earthed. Maximum installation height 4m to underside.

Commissioning

Check water is hot enough to activate the low temperature cut-out thermostat.

Controls

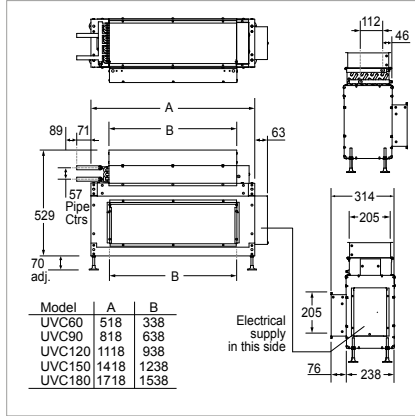
See accessories tables (page 19). Smart Control available (see page 4)

Attachments

90° cranked air inlet/outlet duct.
1m adjustable straight air inlet/outlet extension duct.
Circular spigot air inlet/outlet duct.
White powder-coated steel inlet/outlet grille.
Anodised aluminium air inlet/outlet grille.

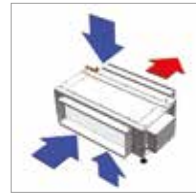
Specification

To specify state: A concealed fan convector for universal mounting with variable heat output controller. As Smith's Caspian UVC 60, 90, 120, 150, 180.

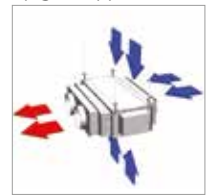
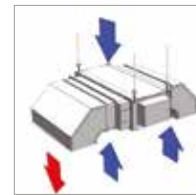
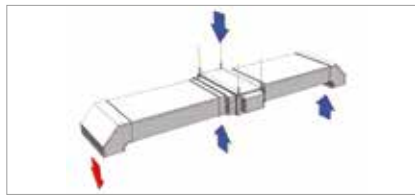
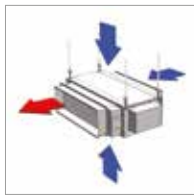
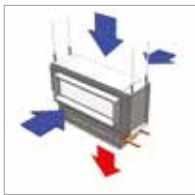


Floor mounted application

The Caspian UVC can be installed either on or behind walls at high and low level, in ceiling voids and on or under floors. Detailed below are a number of application options that can be achieved with the Caspian UVC and Accessories. If in doubt please contact us.



Suspended with ducts application

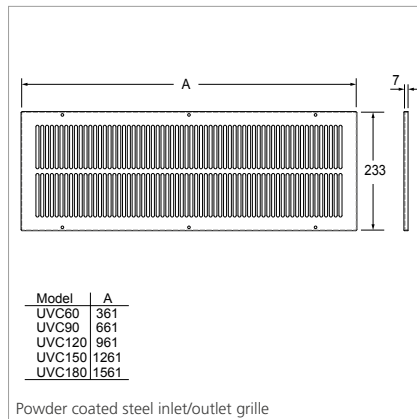
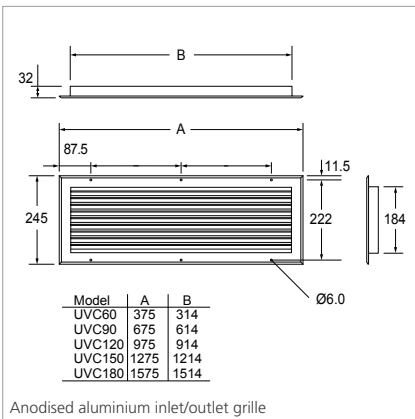
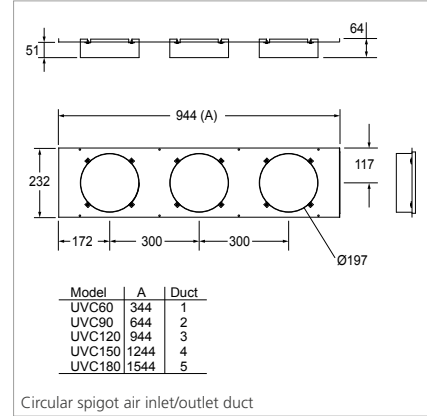
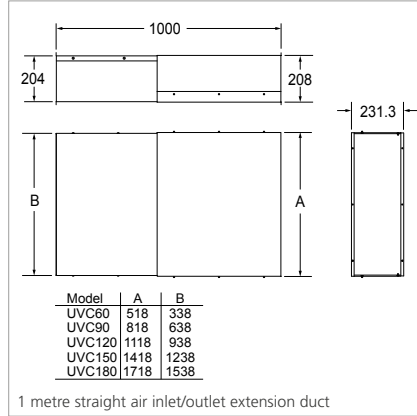
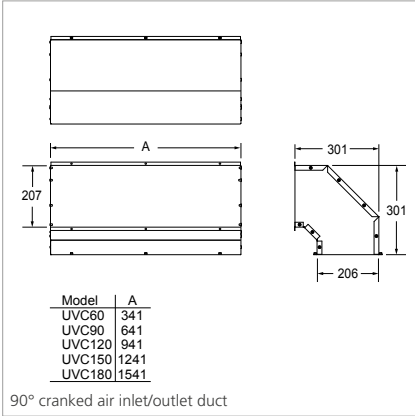


Suspended with spigots application

Heat output See page 9

CASPIAN® UVC

The Caspian UVC fan convector was developed for recessed or concealed heating projects and is suitable for high, low or ceiling concealed installations, can even be turned upside down



Ordering guide

| Model | Packed Wt (kg) | Product Codes |
|--------------------|----------------|---------------|
| CASPIAN UVC 60 EC | 23 | HPCA26001 |
| CASPIAN UVC 90 EC | 36 | HPCA26002 |
| CASPIAN UVC 120 EC | 45 | HPCA26003 |
| CASPIAN UVC 150 EC | 60 | HPCA26004 |
| CASPIAN UVC 180 EC | 78 | HPCA26005 |

| Accessories | Product Codes |
|--|---------------|
| CASPIAN UVC 60 1M ADJUSTABLE STRAIGHT AIR INLET/OUTLET EXTENSION DUCT | HACA33016 |
| CASPIAN UVC 90 1M ADJUSTABLE STRAIGHT AIR INLET/OUTLET EXTENSION DUCT | HACA33017 |
| CASPIAN UVC 120 1M ADJUSTABLE STRAIGHT AIR INLET/OUTLET EXTENSION DUCT | HACA33018 |
| CASPIAN UVC 150 1M ADJUSTABLE STRAIGHT AIR INLET/OUTLET EXTENSION DUCT | HACA33019 |
| CASPIAN UVC 180 1M ADJUSTABLE STRAIGHT AIR INLET/OUTLET EXTENSION DUCT | HACA33020 |
| CASPIAN UVC 60 90° CRANKED AIR INLET/OUTLET DUCT | HACA33011 |
| CASPIAN UVC 90 90° CRANKED AIR INLET/OUTLET DUCT | HACA33012 |
| CASPIAN UVC 120 90° CRANKED AIR INLET/OUTLET DUCT | HACA33013 |
| CASPIAN UVC 150 90° CRANKED AIR INLET/OUTLET DUCT | HACA33014 |
| CASPIAN UVC 180 90° CRANKED AIR INLET/OUTLET DUCT | HACA33015 |
| CASPIAN UVC 60 CIRCULAR SPIGOT (200MM X 2) AIR INLET/OUTLET DUCT | HACA33021 |
| CASPIAN UVC 90 CIRCULAR SPIGOT (200MM X 2) AIR INLET/OUTLET DUCT | HACA33022 |
| CASPIAN UVC 120 CIRCULAR SPIGOT (200MM X 3) AIR INLET/OUTLET DUCT | HACA33023 |
| CASPIAN UVC 150 CIRCULAR SPIGOT (200MM X 4) AIR INLET/OUTLET DUCT | HACA33024 |
| CASPIAN UVC 180 CIRCULAR SPIGOT (200MM X 5) AIR INLET/OUTLET DUCT | HACA33025 |
| CASPIAN UVC 60 INLET/OUTLET GRILLE ANODISED ALUMINIUM | HACA33031 |
| CASPIAN UVC 90 INLET/OUTLET GRILLE ANODISED ALUMINIUM | HACA33032 |
| CASPIAN UVC 120 INLET/OUTLET GRILLE ANODISED ALUMINIUM | HACA33033 |
| CASPIAN UVC 150 INLET/OUTLET GRILLE ANODISED ALUMINIUM | HACA33034 |
| CASPIAN UVC 180 INLET/OUTLET GRILLE ANODISED ALUMINIUM | HACA33035 |
| CASPIAN UVC 60 INLET/OUTLET GRILLE POWDER COATED WHITE | HACA33026 |
| CASPIAN UVC 90 INLET/OUTLET GRILLE POWDER COATED WHITE | HACA33027 |
| CASPIAN UVC 120 INLET/OUTLET GRILLE POWDER COATED WHITE | HACA33028 |
| CASPIAN UVC 150 INLET/OUTLET GRILLE POWDER COATED WHITE | HACA33029 |
| CASPIAN UVC 180 INLET/OUTLET GRILLE POWDER COATED WHITE | HACA33030 |
| FLEXIBLE HOSES 22MM PAIR | HAGA95003 |
| ROOM THERMOSTAT HARD WIRED | HAGA95001 |
| ROOM THERMOSTAT TAMPER PROOF | HAGA95004 |
| CASPIAN PROPORTIONAL HEAT OUTPUT CONTROLLER 15°-25° INTEGRAL (EC) | HACA33005 |
| CASPIAN PROPORTIONAL HEAT OUTPUT CONTROLLER 15°-25° REMOTE SENSOR (EC) | HACA33037 |
| CASPIAN PROPORTIONAL HEAT OUTPUT CONTROLLER 11°-21° INTEGRAL (EC) | HACA33117 |
| CASPIAN PROPORTIONAL HEAT OUTPUT CONTROLLER 11°-21° REMOTE SENSOR (EC) | HACA33118 |
| BLANK CONFIGURABLE PROPORTIONAL HEAT OUTPUT CONTROLLER (PROGRAMMED AT FACTORY) | HACA33126 |
| CASPIAN ADJUSTABLE LOW TEMPERATURE CUT-OUT | HACA33001 |
| CASPIAN EXTERNAL CONTROL HARNESS (EC) | HACA33004 |
| CASPIAN EC LINKING KIT (MASTER/SLAVE) | HACA33068 |
| CASPIAN REMOTE SWITCHING ON/OFF RELAY (24V AC COIL) | HACA33127 |
| CASPIAN EC THERMOSTAT (T1) & AUTO-SPEED CONTROL (T2) C/W CIRCUIT BOARD | HACA33039 |
| CASPIAN THERMOSTAT (T1) (EC LOW LEVEL) | HACA33002 |
| CASPIAN EC AUTO-SPEED CONTROL (T2) C/W CIRCUIT BOARD | HACA33038 |



CASPIAN® LST

Warm air is discharged at an upward 45° angle to avoid causing discomfort to people sitting adjacent to appliance and with chamfered profile to avoid sharp corners

Caspian LST (low surface temperature) fully complies with the NHS Estates Health Guidance Notes, "Safe hot water and surface temperatures" (formally known as DN4) and has been independently verified by BSRIA

Using EC technology and meeting the DN4 legislation 100% of the time, this hydronic fan convector provides complete peace of mind for specifiers choosing the Caspian

Any building registered under the Registered Homes Act 1984, including hospitals, clinics, surgeries and other health care premises, requires heat emitters whose maximum surface temperature must not exceed 43°C. This also extends to social services personal care properties, and may also apply to any property where occupants may be at risk of burns to their skin if they came into prolonged (10 seconds or more) contact with a standard heat emitter

As well as healthcare applications Caspian LST is the ideal choice for schools and nurseries where the risk of children coming into contact with higher surface temperature heat emitters can be avoided

Available with antibacterial paint (see page 15)

Caspian LST range is patented (UK Patent No. 2,555,566)

Applications

Education, healthcare, office and hospitality

Motor

EC (BMS compliant).

Finish

Casing: zinc-coated steel 1.2mm.

Polyester powder-coated: white RAL 9010.

Available to special order in any colour and with anti-microbial or anti-bacterial paint (see page 15).

Filter

Class G2, 100% polyester, non-washable.

Installation

Suitable for two-pipe central heating systems.

Pipework access holes on the rear and underside.

Key operated front access panels.

Bleed valve accessible on removal of front casing.

Unit must be earthed.

Commissioning

Check water is hot enough to activate the low temperature cut-out thermostat.

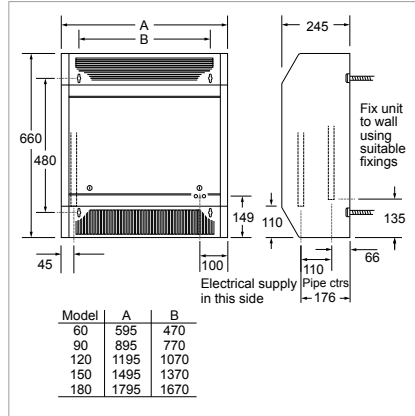
Regulate the flow to achieve maximum performance.

Controls

Variable heat output controller (mounted within the products).

Specification

To specify state: Low Surface Temperature Fan Convector with EC motor, in 1.2mm zinc coated steel, polyester powder coated in white RAL 9010. Dimensions at 660mm high and 595mm, 895mm, 1195mm, 1495mm or 1795mm wide. With variable heat output controller. As Smith's Caspian LST 60, 90, 120, 150, 180.



Heat output For other heat output data please download the data sheet from our website

| Model | Heat Output at 75° | | | Heat Output at 50° | | | Pressure Drop | | |
|-----------------|--------------------|-------------|-----------|--------------------|-------------|-----------|---------------|--------------|-----------|
| | Low (kW) | Medium (kW) | High (kW) | Low (kW) | Medium (kW) | High (kW) | High (kPa) | Medium (kPa) | Low (kPa) |
| CASPIAN LST 60 | 0.9 | 1.4 | 1.9 | 0.6 | 0.7 | 0.8 | 1.5 | 1.1 | 0.9 |
| CASPIAN LST 90 | 2.8 | 3.2 | 3.7 | 1.6 | 2.0 | 2.3 | 3.9 | 2.3 | 1.6 |
| CASPIAN LST 120 | 4.7 | 5.1 | 5.5 | 2.8 | 3.2 | 3.7 | 7.3 | 5.5 | 5.3 |
| CASPIAN LST 150 | 6.0 | 6.5 | 7.0 | 4.2 | 4.7 | 5.2 | 8.6 | 6.8 | 6.2 |
| CASPIAN LST 180 | 7.5 | 8.0 | 8.5 | 5.7 | 6.2 | 6.7 | 11.3 | 8.6 | 7.9 |

| Model | Flow & return connections | Fused spur | Total Power Consumption | | | | Sound Levels | | | Casting colour | Fan only |
|-----------------|---------------------------|------------|-------------------------|----------------|--------------|-------------------------|--------------|--------------|-----------|----------------|----------|
| | | | Low (Watts) | Medium (Watts) | High (Watts) | Water Capacity (Litres) | High (dBA) | Medium (dBA) | Low (dBA) | | |
| CASPIAN LST 60 | 22mm | 3A | 26 | 41 | 55 | 0.92 | 50 | 43 | 35 | white | • |
| CASPIAN LST 90 | 22mm | 3A | 33 | 59 | 85 | 1.50 | 53 | 45 | 37 | white | • |
| CASPIAN LST 120 | 22mm | 3A | 33 | 79 | 125 | 2.08 | 57 | 48 | 38 | white | • |
| CASPIAN LST 150 | 22mm | 3A | 50 | 119 | 188 | 2.58 | 59 | 47 | 36 | white | • |
| CASPIAN LST 180 | 22mm | 3A | 66 | 158 | 250 | 3.18 | 59 | 47 | 36 | white | • |

Heat output testing based on BS EN442 using mean water temperature, 20°C entering air temperature, 10° temperature drop. Sound levels measured at 3m in front of the floor mounted model.

Ordering guide

| Model | Packed Wt (kg) | Product Codes |
|--------------------|----------------|---------------|
| CASPIAN LST 60 EC | 24 | HPCA28001 |
| CASPIAN LST 90 EC | 37 | HPCA28002 |
| CASPIAN LST 120 EC | 46 | HPCA28003 |
| CASPIAN LST 150 EC | 60 | HPCA28004 |
| CASPIAN LST 180 EC | 78 | HPCA28005 |

| Plinths | Product Codes | | | |
|---|---------------|-------------|-------------|---------------|
| | 100mm Black | 100mm White | 150mm Black | 150mm White |
| CASPIAN UV/LST 60 PLINTH | HACA33106 | HACA33111 | HACA33097 | HACA33006 |
| CASPIAN UV/LST 90 PLINTH | HACA33107 | HACA33112 | HACA33098 | HACA33007 |
| CASPIAN UV/LST 120 PLINTH | HACA33108 | HACA33113 | HACA33099 | HACA33008 |
| CASPIAN UV/LST 150 PLINTH | HACA33109 | HACA33114 | HACA33100 | HACA33009 |
| CASPIAN UV/LST 180 PLINTH | HACA33110 | HACA33115 | HACA33101 | HACA33010 |
| Accessories | | | | Product Codes |
| FLEXIBLE HOSES 22MM PAIR | | | | HAGA95003 |
| CASPIAN REMOTE SWITCHING ON/OFF RELAY (24V AC COIL) | | | | HACA33127 |



CASPIAN SKYLINE®

Caspian Skyline CT60 fits into a 600mm x 600mm ceiling tile, providing easy access for both installation and maintenance. It's suitable for projects in schools, retail or food units or where the heating needs to complement the rest of the premise

The Caspian Skyline has been developed to provide a more easily installed ceiling tile fan convactor to complement the Smith's range of Caspian commercial fan convectors and may be used alone or in tandem with other Smith's products

Plumbing easily into any wet central heating system, the Caspian Skyline will also work effectively and efficiently with renewable heat sources, such as air or ground source heat pumps

Now available with Smart Control (see page 4)

Applications

Education, healthcare, leisure and sport, office, hospitality, retail and showroom

Motor

EC (BMS compliant).

Finish

Casing: galvanised steel 1.2mm.

Grille: eggcrate core, white RAL 9010 complete with touch catches.

Filter

Class G2, 100% polyester, non-washable.

Installation

Suitable for two-pipe central heating systems.

Maximum installation height – 4m to underside.

Unit must be earthed.

Commissioning

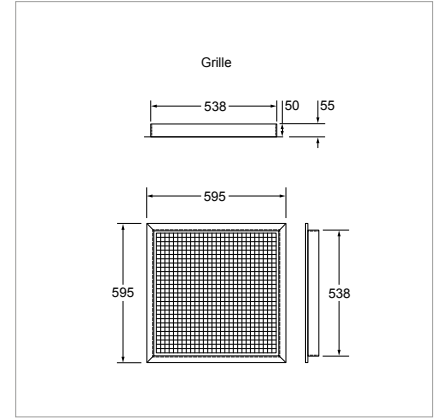
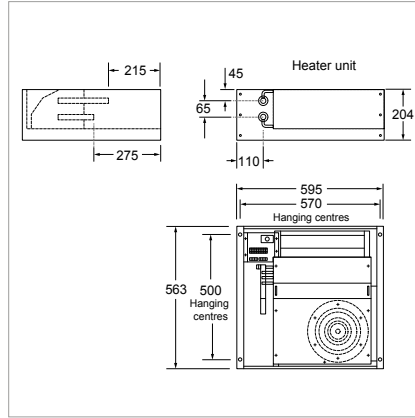
Check water is hot enough to activate the low temperature cut-out thermostat.

Controls

See accessories table.

Specification

To specify state: Ceiling mounted Fan Convactor with EC motor, in 1.2mm galvanised steel, egg crate core grille in white RAL 9010. To fit a standard 600mm x 600mm ceiling grid. With variable heat output controller. As Smith's Caspian Skyline CT60.



Heat output For other heat output data please download the data sheet from our website

| Model | Heat Output at 75° | | | Heat Output at 45° | | |
|----------------------|--------------------|-------------|-----------|--------------------|-------------|-----------|
| | Low (kW) | Medium (kW) | High (kW) | Low (kW) | Medium (kW) | High (kW) |
| CASPIAN SKYLINE CT60 | 2.7 | 3.7 | 4.6 | 0.5 | 0.9 | 1.3 |

| Model | Flow & return connections | Fused spur | Total Power Consumption | | | Water Capacity (Litres) | Sound Levels | | | Grille colour |
|----------------------|---------------------------|------------|-------------------------|----------------|--------------|-------------------------|--------------|--------------|-----------|---------------|
| | | | Low (Watts) | Medium (Watts) | High (Watts) | | High (dBA) | Medium (dBA) | Low (dBA) | |
| CASPIAN SKYLINE CT60 | 22mm | 3A | 8 | 24 | 40 | 0.75 | 48 | 40 | 34 | white |

Heat output testing based on BS EN442 using mean water temperature, 18°C entering air temperature, 10° temperature drop. Sound levels measured at 3m.

Correction factors

| EAT°C | Mean water temperature °C |
|-------|---------------------------|
| | 80 to 40 |
| 15 | 1.10 |
| 21 | 0.93 |

| Factor | Temperature drop °C | | | |
|--------|---------------------|------|------|------|
| | 20 | 15 | 10 | 5 |
| | 0.89 | 0.95 | 1.00 | 1.04 |

Ordering guide

| Model | Packed Wt (kg) | Product Codes |
|-------------------------|----------------|---------------|
| CASPIAN SKYLINE CT60 EC | 20 | HPCA29001 |

| Accessories | Product Codes |
|--|---------------|
| CASPIAN ADJUSTABLE LOW TEMPERATURE CUT-OUT | HACA33001 |
| CASPIAN EXTERNAL CONTROL HARNESS (EC) | HACA33004 |
| CASPIAN SKYLINE CT60 PROPORTIONAL HEAT OUTPUT CONTROLLER 15-25 (REMOTE SENSOR) | HACA33125 |
| CASPIAN SKYLINE CT60 PROPORTIONAL HEAT OUTPUT CONTROLLER 11-21 (REMOTE SENSOR) | HACA33123 |
| ROOM THERMOSTAT HARD WIRED | HAGA95001 |
| ROOM THERMOSTAT TAMPER PROOF | HAGA95004 |
| FLEXIBLE HOSES 22MM PAIR | HAGA95003 |
| CASPIAN REMOTE SWITCHING ON/OFF RELAY (24V AC COIL) | HACA33127 |
| BLANK CONFIGURABLE PROPORTIONAL HEAT OUTPUT CONTROLLER (PROGRAMMED AT FACTORY) | HACA33126 |
| CASPIAN EC LINKING KIT (MASTER/SLAVE) | HACA33068 |



CASPIAN® CTFF

Caspian CTFF fits into 600mm x 600mm or 600mm x 1200mm ceiling tile, providing easy access for both installation and maintenance

Caspian fan convectors are both a practical and high quality heating solution for any commercial project

Incorporating the latest EC motor technology, which can result in running-cost savings as high as 70%, and with variable speed control as standard, the Caspian delivers heat quickly and quietly.

It is possible to have master and slave Caspian fan convectors that integrate the entire range of EC Caspian products. Please contact either our sales team or technical team to ensure that this is correctly specified

Caspian are compatible with most types of wet central heating systems, functioning equally efficiently with conventional boilers, biomass technology or ground or air source heat pumps

Now available with Smart Control (see page 4)

Applications

Education, healthcare, places of worship, leisure and sport office, hospitality, retail, showroom and industrial.

Motor

EC (BMS compliant)

Finish

Casing: zinc-coated steel 1.2mm.

Polyester powdercoated: white RAL 9010.

Available to special order in any colour.

Filter

Class G2, 100% polyester, non-washable.

Installation

Suitable for two-pipe central heating systems.

Maximum installation height for high or ceiling mounting, - 4m to underside.

Pipework access holes on the rear and underside.

Key operated front access panels.

Bleed valve accessible on removal of front casing.

Unit must be earthed.

Commissioning

Check water is hot enough to activate the low temperature cut-out thermostat.

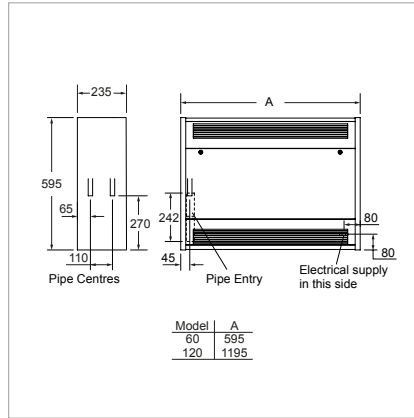
Controls

See accessories table.

Specification

To specify state:

Fan Convector with EC motor, in 1.2mm zinc coated steel, 595mm x 595mm or 595mm x 1195mm. With variable heat output controller. As Smith's Caspian CTFF60/120



Heat output

| Model Reference | Fan Speed | Control Voltage VDC | 40°C MWT | 45°C MWT | 50°C MWT | 55°C MWT | 60°C MWT | 65°C MWT | 70°C MWT | 75°C MWT | 80°C MWT |
|-----------------|-----------|---------------------|----------|----------|----------|----------|----------|----------|----------|----------|----------|
| EC 60 | Low | 3.4 | 0.85 | 1.20 | 1.45 | 1.80 | 2.16 | 2.35 | 2.73 | 3.08 | 3.40 |
| | Mid | 4.9 | 1.02 | 1.53 | 1.92 | 2.37 | 2.76 | 3.18 | 3.58 | 4.05 | 4.38 |
| | High | 6.4 | 1.18 | 1.85 | 2.38 | 2.93 | 3.36 | 4.00 | 4.43 | 5.02 | 5.36 |
| EC 120 | Low | 3.1 | 1.62 | 2.34 | 3.32 | 3.98 | 4.71 | 5.62 | 6.32 | 6.99 | 7.61 |
| | Mid | 4.3 | 2.31 | 3.25 | 4.27 | 5.15 | 6.07 | 7.02 | 7.91 | 8.74 | 9.60 |
| | High | 5.5 | 2.99 | 4.15 | 5.21 | 6.31 | 7.42 | 8.41 | 9.50 | 10.48 | 11.59 |

| Model Reference | Fan Speed | Air Volume (m³/h) | Air Volume (l/s) | Specific Fan Power w/l/s | Power Consumption (W) | NR in typical room* | Hydraulic Resistance (KPA) | Nominal Weight (KG) | Water Capacity (L) |
|-----------------|-----------|-------------------|------------------|--------------------------|-----------------------|---------------------|----------------------------|---------------------|--------------------|
| EC 60 | Low | 201.00 | 55.90 | 0.14 | 8.00 | 34.00 | 1.38 | 23.00 | 0.92 |
| | Mid | 290.50 | 80.75 | 0.26 | 21.00 | 41.50 | 1.69 | | |
| | High | 380.00 | 105.60 | 0.32 | 34.00 | 49.50 | 2.00 | | |
| EC 120 | Low | 419.30 | 116.50 | 0.14 | 16.00 | 34.00 | 17.78 | 45.00 | 2.08 |
| | Mid | 549.65 | 152.68 | 0.26 | 40.00 | 42.00 | 20.59 | | |
| | High | 680.00 | 188.89 | 0.34 | 64.00 | 49.96 | 23.40 | | |

*a typical room is taken as a room with a volume of 173m³ and a reverberation time of 0.8 seconds at 500 Hz with one unit installed, situated against a wall or ceiling (radiating noise in a quartersphere). No allowance is made for attenuation provided by ceilings, enclosures or ductwork. Outputs based upon testing at EN442: 2014 using mean water temperature and an entering air temperature of 20°C with a 10°C temperature drop between flow and return.

Correction factors

| Mean Water Temp °C | 45 - 80 | | | | |
|-----------------------------|---------|------|------|------|------|
| Water Temperature drop °C | 5 | 10 | 15 | 20 | |
| Entering Air Temperature °C | 15 | 1.13 | 1.10 | 1.07 | 1.05 |
| | 18 | 1.08 | 1.05 | 1.02 | 0.99 |
| | 20 | 1.04 | 1.00 | 0.95 | 0.89 |
| | 25 | 0.93 | 0.91 | 0.89 | 0.86 |

Factors are approximate data based upon a standard coil.

How to calculate Mean Water Temperature

$$\text{Mean water temperature } (\Delta T) = \frac{\text{Flow temperature} + \text{Return temperature}}{2}$$

Ordering guide

| Model | Packed Wt (kg) | Product Code |
|--|----------------|--------------|
| CASPIAN CTFF60EC | 23 | HPCA29004 |
| CASPIAN CTFF60 C/W REMOTE SMART CONTROL | 23 | HPCA30005 |
| CASPIAN CTFF120EC | 45 | HPCA29003 |
| CASPIAN CTFF120 C/W REMOTE SMART CONTROL | 45 | HPCA30004 |
| Accessories | | |
| FLEXIBLE HOSES 22MM PAIR | | HAGA95003 |
| ROOM THERMOSTAT HARD WIRED | | HAGA95001 |
| ROOM THERMOSTAT TAMPER PROOF | | HAGA95004 |
| CASPIAN PROPORTIONAL HEAT OUTPUT CONTROLLER 15°-25° REMOTE SENSOR (EC) | | HACA33037 |
| CASPIAN PROPORTIONAL HEAT OUTPUT CONTROLLER 11°-21° REMOTE SENSOR (EC) | | HACA33118 |
| BLANK CONFIGURABLE PROPORTIONAL HEAT OUTPUT CONTROLLER (PROGRAMMED AT FACTORY) | | HACA33126 |
| CASPIAN ADJUSTABLE LOW TEMPERATURE CUT-OUT (EC AND AC) | | HACA33001 |
| CASPIAN EXTERNAL CONTROL HARNESS (EC) | | HACA33004 |
| CASPIAN EC LINKING KIT (MASTER/SLAVE) | | HACA33068 |
| CASPIAN REMOTE SWITCHING ON/OFF RELAY (24V AC COIL) | | HACA33127 |



CASPIAN SKYLINE® E

The electric Skyline fits neatly into existing ceiling space - replacing a 600mm x 600mm ceiling tile and because it is ceiling mounted, it saves valuable wall space - particularly important in retail units

It is unobtrusive and effective

This high output fan convactor effectively heats large areas

Choice of punched steel or egg-crate grille options

Supplied as standard in white but can be supplied in any colour

Complete with programmable controller

Applications

Education, healthcare, leisure and sport, office, hospitality, retail and showroom.

Finish

Outer casing 0.9mm zinc-coated steel.
Polyester powder-coated.
Polyester powder-coated RAL 9010.

Installation

Maximum installation height 3.2m (10'6") to underside.
Minimum 150mm void space required for recessed installation.
Not suitable for bathrooms and other high humidity areas.
Two air inlet options: room only, room and void.
Maximum flexibility in installation: only 600mm - side clearance required.
Facility for connection to 6mm threaded rod or chains (rods and chains - not supplied).
20 amp fused spur required.
Unit must be earthed.
Supplied with remote operating switch.

Control

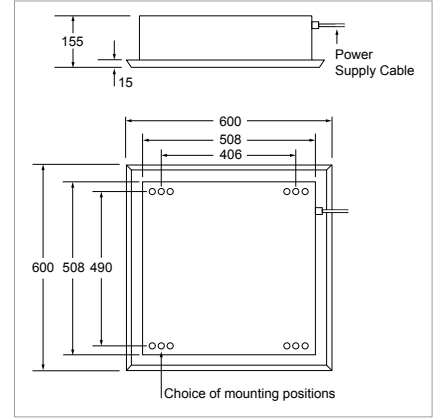
Overheat protection: thermal cut-out.
Manual reset procedure: switch power off at mains, wait 5 minutes, switch power on.
Wireless temperature control with on/off function featuring a programmable timer and frost protection (battery operated) supplied.

Accessories

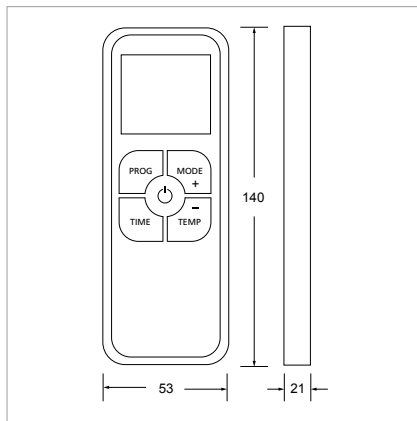
Egg-crate grille accessory (remove standard grille).
Surface mounting kit - 135mm. Provides a complete four-sided trim when fitted to a solid ceiling.
Ceiling tile spacer (85mm).

Specification

To specify state:
Ceiling mounted heat emitter at 4kW in white 600x600mm.
As Smith's Skyline.



Wall Controller



Heat output

| Model | Heat Output (kW) | Mains cable | Fused spur | Total Power Consumption (kW) | Sound Levels (dBA) | Casting colour | Fan-only |
|---------------|------------------|-------------|------------|------------------------------|--------------------|----------------|----------|
| SKYLINE E 4KW | 4.0 | 1.5m | 20A | 4.1 | 40 | white | n/a |

Ordering guide

| Model | Packed Wt (kg) | Product Codes |
|--|----------------|---------------|
| SKYLINE E 4KW | 9 | HPSK40003 |
| Accessories | | |
| SKYLINE E 4KW EGG CRATE GRILLE ACCESSORY | | HASK40104 |
| SKYLINE SURFACE MOUNTING KIT (135MM) | | HASK40102 |
| SKYLINE CEILING TILE SPACER (85MM) | | HASK40103 |



THE BENEFITS OF WORKING WITH SMITH'S

Over 30 years of experience

Formed in 1991 Smith's Environmental Products has grown to become the leading supplier of domestic and light commercial fan-assisted hydronic heat emitters. The company is the UK's market leader and has significant shares of both the North American and European markets. Smith's Environmental Products is a member of The Swan Group.

We have a dedicated R&D team who work closely with customers and suppliers alike to develop innovative heating and cooling solutions.

We continue to develop our product range to improve the performance and environmental credentials of our products.

UK manufacturer

Operating from 40,000 square feet of factory and office space near Chelmsford in Essex we manufacture our product range from raw materials through to finished product utilising computerised design and automated production techniques.

Shorter lead times

Manufacturing most of our products from raw materials means we are able to provide our customers with lead times as short as 5 working days on the most commonly used products.

5-year warranty

We provide a 5 year warranty as standard on most products including our Caspian range of products.

Extensive Testing and Certification

Smith's products undergo demanding tests for compliance, safety and performance. Our manufacturing facilities are regularly appraised and meet the exacting standards of national approval boards such as UL, CSA and Kema.

Our range of heating/cooling product meet all relevant standards and regulations, and come with a guarantee of quality and safety.

Our products are independently tested and verified by BSRIA and SRL Technical services.

Quality and the environment

At Smith's we recognise that quality is about more than just the product, it's an approach that runs throughout the business and is centred on meeting and exceeding customers' expectations.

As part of our commitment to both quality and the environment we hold both ISO 9001(2015) and ISO 14001 certification.

Smith's is a member of the Achilles Building Confidence Scheme.

Technical and free quotation service

If you have a project please contact us, as our customer service is second to none and we are happy to offer any help and guidance that you might need.

technical.sales@smithsep.co.uk | +44 (0) 1245 324560





Happy to help

Smith's Environmental Products Ltd is one of the leading manufacturers of heating and cooling products in the UK. We are committed to achieving the highest standards and our faith is supported by a free parts and labour guarantee with every product (see our website for more information). Our customer service is second to none and we are happy to offer any help and guidance that you might need.

Stockists

All products are available nationally from Builders' Merchants, Plumbers' Merchants, Heating Equipment Distributors and Kitchen Equipment Distributors. In the event of difficulty, please contact us or visit our website SmithsEP.co.uk for details of your nearest stockist.

Information and advice

Full technical specifications and list prices are available to download from our website or in hard copy from our office. Also available on our website are price lists, individual product data sheets, installation & user guides, where to buy, who to contact and a media centre.

Alternatively contact our office 9.00am to 5.00pm Monday to Friday.

As part our commitment to continuous improvement Smith's Environmental Products may change the specifications of its products without prior notification or public announcement. All descriptions, illustrations, drawings and specifications in this publication present only general particulars and shall not form part of any contract. All dimensions are in mm unless otherwise stated. Please visit the website for the most up to date information.

To view the full product information
download the datasheet at:
www.SmithsEP.co.uk

For product information, customer services or
sales support call us on **+44 (0) 1245 324900**

For the Republic of Ireland, contact
MT Agencies on 01 864 3363

Sales: sales@smithsep.co.uk
General information: info@smithsep.co.uk

Smith's Environmental Products Ltd
Blackall Industrial Estate, South Woodham
Ferrers, Chelmsford, Essex CM3 5UW

SmithsEP.co.uk

[@SmithsEP_UK](https://twitter.com/SmithsEP_UK)

[#ThinkSmiths](https://twitter.com/ThinkSmiths)

January 2025 | Version 10



Smith's, providing comfort
for the **built environment**

sales@smithsep.co.uk
+44 (0) 1245 324900
smithsep.co.uk