

Space Saver - Hydronic

Kitchen | Utility | Bathroom



A highly energy efficient fan convector that fits neatly into the plinth of a kitchen unit and eliminates the need for conventional radiators

Makes room for extra kitchen storage, work space, or additional appliances

More affordable than underfloor heating and get the flooring you want

Easy to use discreet heating

Suitable for plinth heights from 80mm upwards

Contemporary design with a wide choice of grille colours to suit interior decoration

Two heat outputs and fan only option for instant heat and cool air circulation

Low voltage bathroom model available for high humidity areas (hydronic version)

Free five years parts and labour warranty

To see which Space Saver plinth heater is most suitable to heat your kitchen, use the Heat Loss Calculator on our website: <https://smithsep.co.uk/heat-loss-calculator/>

Alternative Grille Finishes

Most Space Saver models are supplied with a detachable Stainless Steel fascia grille.

Alternative colours are shown below.



Black

Brown

Chrome

White

Grilles shown are for colour reference only and switch configuration varies by product.

The grille accessory is specifically tailored to fit the latest version MK5 plinth heater. We advise customers to verify the compatibility of the grille with their product before making a purchase.

Product Information

Finish

Fascia grille: Stainless Steel.
See under attachments for other fascia grille colours.

Installation

Correct fascia grille opening must be cut to allow sufficient air intake.
20mm clearance above unit required.
Model secured to plinth by two screws through fascia grille.
Unit must be earthed (not 12 volt SELV).
Suitable for two-pipe central heating systems only.
SS80 supplied with detachable cable.
SS80 models have easy fit thermostat facility.

Commissioning

Check water temperature is hot enough to activate low temperature cut-out thermostat. (LTC). Vent screw accessible through fascia grille.

Controls

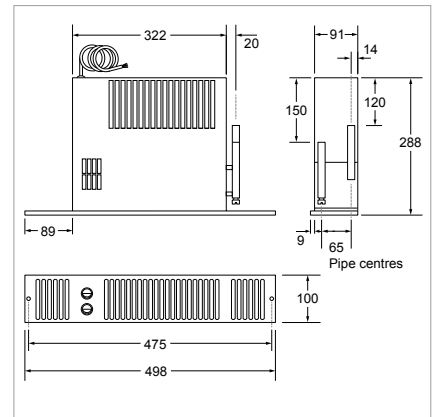
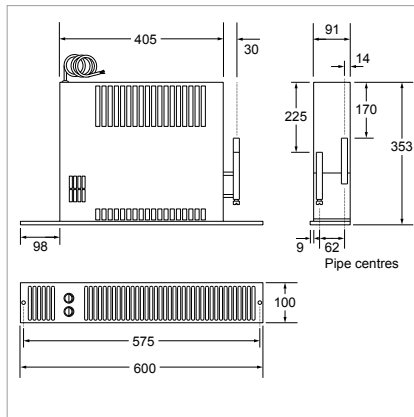
Single rocker switch - low/off/normal.
SS80: Low temperature cut-out thermostat set to energise fan at approximately 35°C
SS5/Dual: Wireless temperature control featuring comfort, setback and run back timer (battery operated) supplied, three rocker switches, heating/off/fan-only, hydronic/electric, low/high.
Low temperature cut-out thermostat set to energise fan at approximately 35°C.

All other models: two rocker switches - low/off/high, heating/fan-only.
Low temperature cut-out thermostat set to energise fan at approximately 35°C.

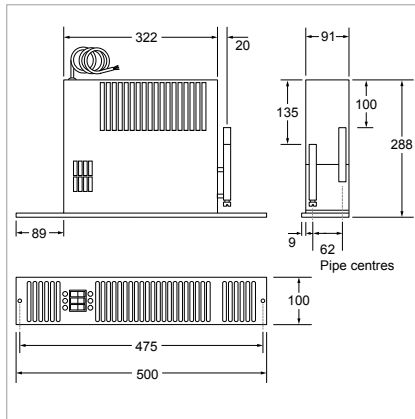
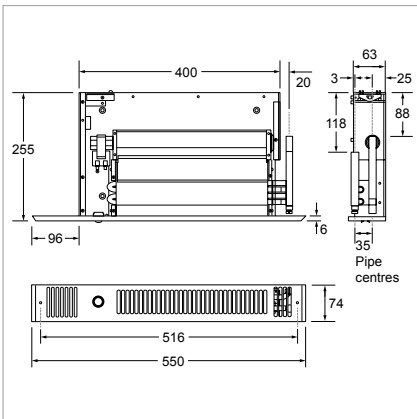
Accessories

Wall-mounted room thermostat.
Wall mounted control switch (white) to suit SS3, SS5, SS5/12V, SS7, SS9.
Grilles: brown (RAL 8016), black (RAL 9005), white (RAL 9010) and chrome.

Dimensions



Dimensions



Before



After



As part of our commitment to continuous improvement Smith's Environmental Products may change the specifications of its products without prior notification or public announcement. All descriptions, illustrations, drawings and specifications in this publication present only general particulars and shall not form part of any contract. All dimensions are in mm unless otherwise stated. Please visit our website for the most up to date information.

Technical data

Model	Sound levels		Fascia grille finish	Fan-only	Minimum plinth height (mm)
	Low (dBA)	High (dBA)			
Hydronic					
SS80	32	40	Stainless Steel		80
SS3	26	39	Stainless Steel	•	120
SS5	27	43	Stainless Steel	•	120
SS7	30	44	Stainless Steel	•	120
SS9	41	46	Stainless Steel	•	120
Hydronic Low Voltage					
SS5 12V	31	39	Stainless Steel	•	120
Hydronic/Electric (Dual)					
SS5 Dual (in hydronic mode)	27	43	Stainless Steel	•	120
SS5 Dual (in electric mode)	27	43	Stainless Steel		120

Sound levels measured at 1.5m.

Model	Flow & return connections	Mains cable	Transformer	Flexible hoses	Fused spur	Fan Power Consumption		Water Capacity (Litres)
						Low (W)	High (W)	
SS3	15mm	2m	n/a	n/a	3A	18	25	0.36
SS5	15mm	2m	n/a	•	3A	18	25	0.36
SS7	15mm	2m	n/a	•	3A	21	30	0.38
SS9	15mm	2m	n/a	•	3A	24	35	0.53
SS80	15mm	2m	n/a	•	3A	5	10	0.35
SS5 12V	15mm	0.45m	•	•	3A	21	30	0.36
SS5 Dual	15mm	2m	n/a	•	5A	18 (electric mode)	25 (electric mode)	0.36

Technical data

Heat Output

Model	Heat Output at 80°		Heat Output at 75°		Heat Output at 70°		Heat Output at 65°		Heat Output at 60°	
	Normal (kW)	Boost (kW)	Normal (kW)	Boost (kW)	Normal (kW)	Boost (kW)	Normal (kW)	Boost (kW)	Normal (kW)	Boost (kW)
Hydronic										
SS80	0.8	1.1	0.8	0.9	0.7	0.8	0.6	0.7	0.6	0.7
SS3	1.1	1.4	1.0	1.3	0.9	1.2	0.8	1.1	0.7	1.0
SS5	1.3	1.7	1.2	1.6	1.1	1.4	1.0	1.3	0.9	1.1
SS7	1.6	1.9	1.4	1.8	1.3	1.6	1.2	1.5	1.1	1.3
SS9	2.2	2.4	2.1	2.2	1.8	2.0	1.7	1.8	1.5	1.7
Hydronic low voltage										
SS5 12V	1.3	1.7	1.2	1.6	1.1	1.4	1.0	1.3	0.9	1.1
Hydronic/electric (dual)										
SS5 Dual	1.3	1.7	1.2	1.6	1.1	1.4	1.0	1.3	0.9	1.1
SS5 Dual (electric mode)	1.0	-	1.0	-	1.0	-	1.0	-	1.0	-

Model	Heat Output at 55°		Heat Output at 50°		Heat Output at 45°		Heat Output at 40°	
	Normal (kW)	Boost (kW)	Normal (kW)	Boost (kW)	Normal (kW)	Boost (kW)	Normal (kW)	Boost (kW)
Hydronic								
SS80	0.5	0.6	0.4	0.5	0.4	0.4	0.3	0.3
SS3	0.6	0.9	0.5	0.8	0.4	0.7	0.3	0.6
SS5	0.8	1.0	0.7	0.9	0.6	0.8	0.5	0.7
SS7	1.0	1.2	0.9	1.0	0.8	0.9	0.6	0.8
SS9	1.3	1.5	1.1	1.3	0.9	1.1	0.7	0.9
Hydronic low voltage								
SS5 12V	0.8	1.0	0.7	0.9	0.6	0.8	0.5	0.7
Hydronic/electric (dual)								
SS5 Dual	0.8	1.0	0.7	0.9	0.6	0.8	0.5	0.7
SS5 Dual (electric mode)	1.0	-	1.0	-	1.0	-	1.0	-

Heat outputs tested in accordance with BS4856 using entering water temperature and 340 l/h (75gph) flow rate. Fan-only option operational only when central heating system is switched off (not applicable on SS80 models). Dual models include an electric element which in electric heating mode will emit 1kW of heat.

Ordering Guide

Model	Packed Wt (kg)	Product Codes	Accessories	Colour	Product Codes
Hydronic - with stainless steel grilles					
SPACE SAVER SS3	5	HPSS10001	SPACE SAVER SS3 / SS5 / SS5 12V / SS7 GRILLE	BROWN	HASS10101
SPACE SAVER SS5	6	HPSS10002	SPACE SAVER SS3 / SS5 / SS5 12V / SS7 GRILLE	BLACK	HASS10102
SPACE SAVER SS7	6	HPSS10003	SPACE SAVER SS3 / SS5 / SS5 12V / SS7 GRILLE	WHITE	HASS10103
SPACE SAVER SS9	7	HPSS10004	SPACE SAVER SS3 / SS5 / SS5 12V / SS7 GRILLE	CHROME	HASS10104
SPACE SAVER SS80	5	HPSS10009	SPACE SAVER SS9 GRILLE	BROWN	HASS10111
SPACE SAVER SS5/12V	6	HPSS10005	SPACE SAVER SS9 GRILLE	BLACK	HASS10112
Hydronic/Electric - with stainless steel grilles			SPACE SAVER SS9 GRILLE	WHITE	HASS10113
SPACE SAVER SS5/Dual	6	HPSS10076	SPACE SAVER SS9 GRILLE	CHROME	HASS10114
			SPACE SAVER SS5 DUAL GRILLE	BROWN	HASS10121
			SPACE SAVER SS5 DUAL GRILLE	BLACK	HASS10122
			SPACE SAVER SS5 DUAL GRILLE	WHITE	HASS10123
			SPACE SAVER SS5 DUAL GRILLE	CHROME	HASS10124
			SPACE SAVER SS80 GRILLE	BROWN	HASS10141
			SPACE SAVER SS80 GRILLE	BLACK	HASS10142
			SPACE SAVER SS80 GRILLE	WHITE	HASS10143
			SPACE SAVER SS80 GRILLE	CHROME	HASS10165
			ROOM THERMOSTAT HARD WIRED		HAGA95001
			SPACE SAVER WALL MOUNTED CONTROL SWITCH SS3, SS5, SS7, SS9		HASS10162
			FLEXIBLE HOSES 15MM PAIR		HAGA95002

The grille accessory is specifically tailored to fit the latest version MK5 plinth heater. We advise customers to verify the compatibility of the grille with their product before making a purchase.

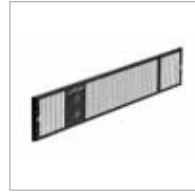
Attachments



Attachments (to be ordered separately)



SS3, 5, 7, 9 - brown grille



SS3, 5, 7, 9 - black grille



SS3, 5, 7, 9 - chrome grille



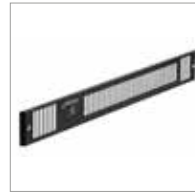
SS3, 5, 7, 9 - white grille



Attachments (to be ordered separately)



SS80 - brown grille



SS80 - black grille



SS80 - chrome grille



SS80 - white grille



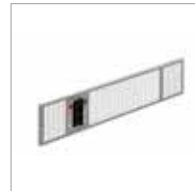
Attachments (to be ordered separately)



SS5 DUAL - brown grille



SS5 DUAL - black grille



SS5 DUAL - chrome grille



SS5 DUAL - white grille