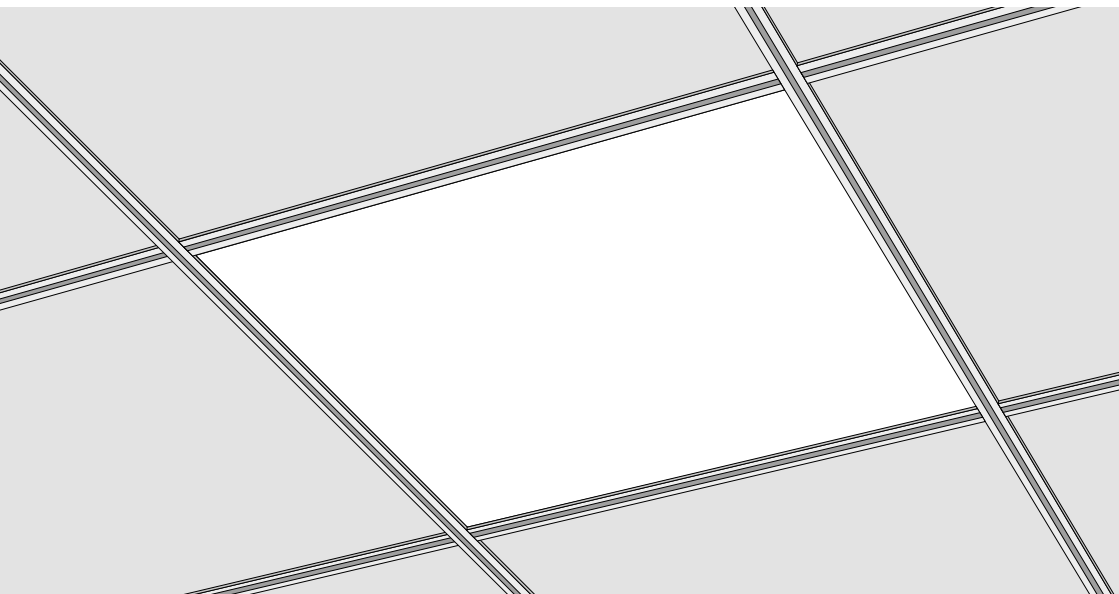


# Sargasso Range

Installation manual



Sargasso S

# Contents

Introduction	2
Symbols used in this guide	2
Declaration of conformity	2
Important safety and installation instructions	3
Application	4
Product Information	5
Installation	6
Registering your product	7
Disposal	7
After sales and spares	7

## Introduction

This product has been assembled and prepared for easy installation.

In the event of any visible damage, please contact us on +44 (0) 1245 324560.

Please leave this Installation Guide with the owner of the property.

## Symbols

This manual contains information and prescriptions marked by the following symbols.



Ignoring these safety provisions marked by the symbol "caution: hazard" may endanger the safety of people.



The removal of the screws can cause the output of hot fluids under high pressure from heating system. Drain the system or close the isolating valves.



High temperature surface. Take utmost care to prevent people from getting in contact with the hot surfaces of the appliance.

# Declaration of conformity

EC Declaration of conformity

SAS International  
31 Suttons Business Park  
London Road,  
Reading RG6 1AZ  
United Kingdom

is submitted to a factory production control for the manufacture and testing of metal ceilings and associated metal products.

This certificate attests that provisions concerning attestation of conformity and the performances outlined in Annex ZA of BS EN 13964: 2004 were applied. The product fulfils the following requirements:

**ISO 9001 & 14001 Quality and Environmental Standards**

**Reaction to Fire: Euroclass A2-s1,d0**

**Asbestos Content: None**

**Release of Formaldehyde: Class E1 (EN13964)**

**Durability: Corrosion protection acc. To EN 13964, class B**

**Acoustic: BS EN 354: 2003 Absorption, BS EN 20140:-9:1994 Attenuation**

This Declaration of Conformity is issued under the sole responsibility of the manufacturer.



Mark McElhinney, Managing Director  
SAS International

# Important safety and installation instructions

Prior to installation, read these installation and operating instructions. The installation and operation should also be in accordance with national regulations and accepted codes of good practice.



This product is not intended for use by persons (including children) with reduced physical, sensory or mental capabilities, or lack of experience and knowledge, unless they have been given supervision or instruction concerning use of the product by a person responsible for their safety. Children should be supervised to ensure that they do not play with the product.

To guard against injury, basic safety precautions should be observed, including the following:

1. Read and follow all safety instructions and all the important notices on the product before installing, using and maintaining the product. Failure to do so may cause personal injury or damage to the product or installation.
2. Risk of scalding. To avoid injury before any servicing operation wait until the water has cooled inside the product. Do not touch the fluid or the product when temperature is higher than 60°C.
3. Improper use.  
This is an product to be used in heating systems with clean water without abrasive particles.
4. Installation.  
The product must be mounted in a stable/fixed position in a dry, frost-free and waterproof place, with sufficient ventilation around it. Make sure that the product is securely and correctly installed before operating it and that there is enough room around it for maintenance operations, dismantling, checking for free inspection.



Non-observance of the safety instructions results in the loss of any claims to damages.

The indicated limit values are binding and cannot be exceeded for any reason whatsoever.

KEEP THESE INSTRUCTIONS FOR FUTURE REFERENCE.

# Application

Sargasso Radiant Panels sit in a ceiling grid, or can be suspended from the soffit, and are supplied with hot water from a heat source. They form part of a 'wet' heating system. The hot water is fed to the Sargasso Radiant Panels and approximately 85% less water is required compared to a traditional radiator heating system. The benefits of this are that the system heats up much quicker than a radiator system. Cost savings in running such a system are realised because of the lower water content and faster heat up of the radiant panels. Further energy savings are possible through zoning so that only occupied areas are heated.

Sargasso is primarily designed to be installed as part of a suspended ceiling, but it can also be installed directly on or suspended from the soffit.

Suitable for use in Micro T system and standard T-Grid ceiling ceilings. Please note that Sargasso is compatible with regular ceiling profiles, but not compatible with Tegular or Microlook ceilings.

Suitable for installation from drop rods (not supplied).

Two bracket sets are required for panel lengths less than 1800mm.

Three bracket sets are required for panel lengths over and above and up to 3000mm.

These products are designed for use on standard two-pipe pumped central heating systems.

Pipe connections are 15mm and may be used as either flow or return.

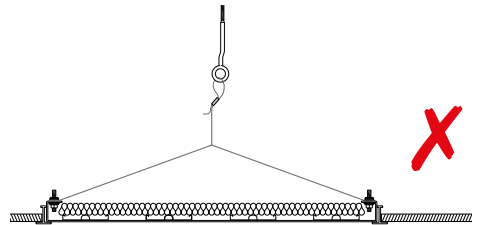
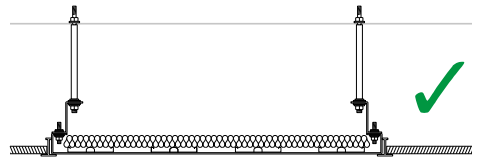
The product must be installed in line with best plumbing practices and with reference to industry standards, such as the CIBSE Domestic Heating Design Guide. Isolating valves (not supplied) should be fitted to system flow and return connections. Failure to fit isolating valves may mean that the product is not serviceable in the event of failure.

BS EN 12828:2012+A1:2014  
Heating systems in buildings. Design for water-based heating systems

BS EN 14336:2004  
Heating systems in buildings. Installation and commissioning of water based heating systems

BS 7593:2006  
Code of practice for treatment of water in domestic hot water central heating systems

## Product mounting options

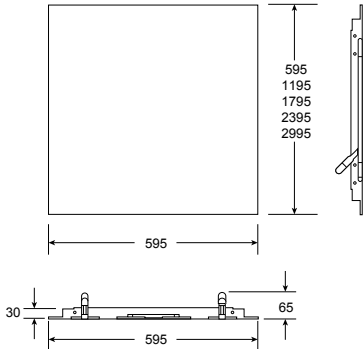


# Product performance

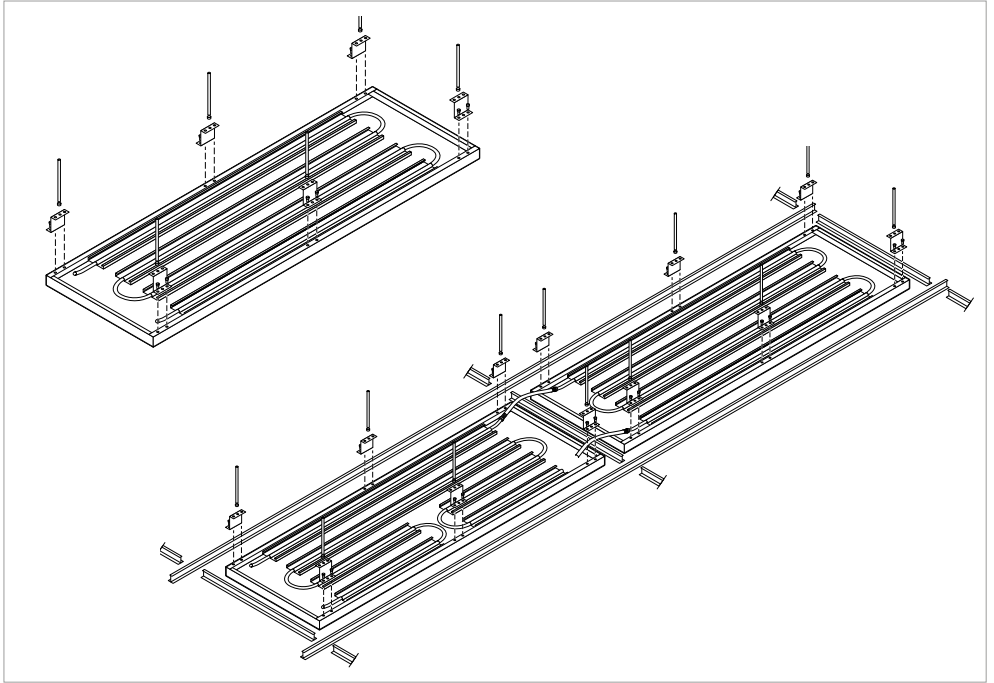
Range	Type	Width	Length	Operating Weight (kg)	Weight kg/m <sup>2</sup>
Sargasso S	Loop	595mm	595mm	6.1	17.0
Sargasso S	Loop	595mm	1195mm	12.2	17.0
Sargasso S	Loop	595mm	1795mm	18.4	17.0
Sargasso S	Loop	595mm	2395mm	24.5	17.0
Sargasso S	Loop	595mm	2995mm	30.6	17.0
Sargasso S	Feed	595mm	2395mm	24.5	17.0

## Heat output (Watts)

Model	Output at ΔT °C							
	30	35	40	45	50	55	60	65
600 x 600	100	120	140	160	181	203	225	230
600 x 1200	199	240	280	320	361	406	450	460
600 x 1800	299	360	419	481	542	608	675	689
600 x 2400	398	480	559	641	722	811	900	919
600 x 3000	498	600	699	801	903	1014	1125	1149



# Installation and mounting



## Standard ceiling

- All Radiant panels must be independently supported from the soffit and not by the ceiling grid
- Venting should be done through the primary pipework system.
- Radiant panels are suitable for installation from drop rods.
- Two bracket sets are required for panel lengths less than 1800mm.
- Three bracket sets are required for panel lengths over and above and up to 3000mm.
- Fit isolating valves (not supplied) to the system flow and return pipes. In order to achieve the highest level of performance we recommend full bore valves.
- Failure to fit isolating valves may mean that the product is not serviceable in the event of failure.
- Open the isolating valves and check for leaks.

N.B. either pipe may be used on flow or return.

# Registering your product

Thank you for purchasing a Smith's product. It has been designed and manufactured to the highest quality standards to ensure it gives you efficient and trouble-free service for many years. To back up our commitment, included with your product is the following warranty:

## Heat Emitter 5 years from date of purchase

This gives you the peace of mind that in the unlikely event of product failure, we will repair or replace the product completely free of charge providing the product has been installed, used and maintained in accordance with the instructions. Your statutory rights are not affected by this warranty.

It is important to register as soon as possible online at: [smithsep.co.uk/product-registration/](http://smithsep.co.uk/product-registration/). This will ensure you will receive prompt and efficient service if your product requires attention within the warranty period. If you do not register your product, you will be required to produce proof of purchase prior to receiving service.

For more details please visit our website: [SmithsEP.co.uk](http://SmithsEP.co.uk)

# Disposal

As part of the policy of continuous product improvement, Smith's Environmental Products LTD reserves the right to alter specification without prior notice.

If you are purchasing replacement equipment your retailer may offer a 'take back' scheme, or will be able to give details of the nearest approved authorised treatment facility. Proper recycling and waste disposal will help conserve resources whilst preventing detrimental effects on our health and the environment.



Approved CQS ISO  
9001:2015



# After sales and spares

If you experience any problems with the use of your product, please contact our after-sales office +44 (0) 1245 324560.

For product information, customer services or sales support call us on +44 (0) 1245 324900

For the Republic of Ireland, contact MT Agencies on 01 864 3363

Sales: [sales@SmithsEP.co.uk](mailto:sales@SmithsEP.co.uk)

General information: [info@SmithsEP.co.uk](mailto:info@SmithsEP.co.uk)

Smith's Environmental Products Ltd  
Blackall Industrial Estate, South Woodham Ferrers,  
Chelmsford, Essex CM3 5UW

[SmithsEP.co.uk](http://SmithsEP.co.uk)

[@SmithsEP\\_UK](https://twitter.com/SmithsEP_UK)

[#ThinkSmiths](https://www.facebook.com/ThinkSmiths)

### **Happy to help**

Smith's Environmental Products Ltd is one of the leading manufacturers of heating and cooling products in the UK. We are committed to achieving the highest standards and our faith is supported by a free five year parts and labour guarantee with every product. Our customer service is second to none and we are happy to offer any help and guidance that you might need.

### **Stockists**

All products are available nationally from Builders' Merchants, Plumbers' Merchants, Heating Equipment Distributors and Kitchen Equipment Distributors. In the event of difficulty, please contact us or visit our website [SmithsEP.co.uk](http://SmithsEP.co.uk) for details of your nearest stockist.

### **Information and advice**

Full technical specifications and list prices is available to download from our website or in hard copy from our office. Also available on our website are price lists, individual product data sheets, installation & user guides, where to buy, who to contact and a media centre.

Alternatively contact our office 9.00am to 5.00pm Monday to Friday.

As part our commitment to continuous improvement Smith's Environmental Products may change the specifications of its products without prior notification or public announcement.

All descriptions, illustrations, drawings and specifications in this publication present only general particulars and shall not form part of any contract. All dimensions are in mm unless otherwise stated.

**To view the full product information download the datasheet at:**  
**[www.SmithsEP.co.uk](http://www.SmithsEP.co.uk)**

For product information, customer services or sales support call us on **+44 (0) 1245 324900**

For the Republic of Ireland, contact MT Agencies on 01 864 3363

**Sales: [sales@SmithsEP.co.uk](mailto:sales@SmithsEP.co.uk)**

**General information: [info@SmithsEP.co.uk](mailto:info@SmithsEP.co.uk)**

Smith's Environmental Products Ltd  
Blackall Industrial Estate, South Woodham Ferrers,  
Chelmsford, Essex CM3 5UW

**[SmithsEP.co.uk](http://SmithsEP.co.uk)**

**[@SmithsEP\\_UK](https://twitter.com/SmithsEP_UK)**

**[#ThinkSmiths](https://www.facebook.com/ThinkSmiths)**

Issue 001 | January 2018