



Solano

A hydronic fan-assisted unit heater designed to heat large indoor areas

Solano - Unit Heater

A modern and lightweight hydronic fan-assisted unit heater designed to heat large areas such as warehouses, showrooms and workshops



Features

- Lightweight for easy installation <15kg
- High performance heat output up to 70kW
- Air volumes up to 4900 m³/h
- 3 speed fan
- Attractive design
- Five year warranty

Applications

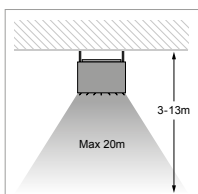
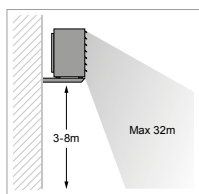
- Industrial
- Retail
- Leisure and sport
- Workshops
- Showrooms

Finish

Expanded Polypropylene (EPP) - Silver grey

Installation

Suitable for wall or ceiling mounting.
Bracket design aids installation at also 30° and 60°.



Specification

To specify state: Lightweight hydronic fan-assisted unit heater at 10-30kW/30-50kW/50-70kW. As Smith's Solano.

Controls



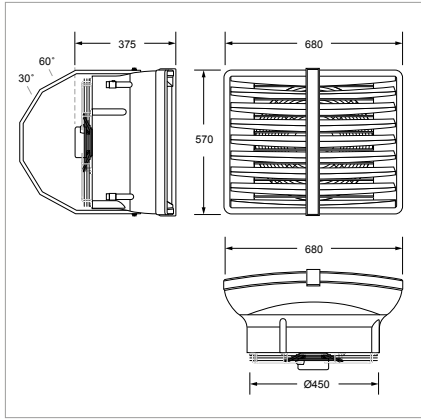
- Panel COMFORT
- Manual temperature regulation
 - Fan speed change
 - Ventilation in summer season
 - Control up to 3 pcs of HEATER



- Panel INTELLIGENT
- Weekly thermostat
 - Automatic change of fan speed depending on room temperature
 - BMS communication
 - Control up to 2 pcs of HEATER



- Splitter MULTI 6
- Control up to 6 pcs of HEATER



Technical data

		HEATER R1	HEATER R2	HEATER R3	HEATER MIX ¹
heat output range	kW	10-30	30-50	50-70	-
max air output	m ³ /h	4 900	4 600	4 400	5 500
no of unit rows	-	1	2	3	0
air temperature increase*	°C	18	33	48	-
max working pressure	Mpa	1.6	1.6	1.6	-
max airflow range	m	27	25	24	15 **
diameter of connection nozzles	inches	3/4"	3/4"	3/4"	-
power supply	V/Hz A	230/50 1.15 A			
motor power	kW	0.25	0.25	0.25	0.25
motor speed	rpm	1350	1350	1350	1350
protection class IP	-	IP54	IP54	IP54	IP54
sound level	dB (A)***	56	56	56	56
weight without water/ with water	kg	10.8 / 11.9	12.7 / 14.8	14.5 / 16.9	9.2

* for temperatures of 90/70 and inlet temperature of 0°C

** max installation height for horizontal installation, working area max 380 m²

*** measured in distance of 5m

¹ HEATER MIX is a HEATER series unit without an exchanger for the destratification (displacement) of the warm air that accumulates at ceiling level in rooms with high ceilings. The HEATER MIX can also be used to increase the reach of warm air generated by the Solano Heaters.

Heater R1

Air flow 4900 m³/h (speed 3)

inlet/outlet water temperature	water 70/50 °C					water 80/60 °C					water 90/70 °C					
	°C	0	5	10	15	20	0	5	10	15	20	0	5	10	15	20
inlet air temperature	°C	0	5	10	15	20	0	5	10	15	20	0	5	10	15	20
heat output	kW	19.5	17.6	15.8	14.1	12.3	23.4	21.5	19.6	17.7	15.8	27.5	25.6	23.5	21.4	19.3
outlet air temperature	°C	12.5	16.5	20.5	24.5	28.5	15.0	19.0	23.0	27.0	31.0	17.5	21.5	25.5	29.5	33.5
water flow	m ³ /h	0.7	0.6	0.6	0.5	0.5	0.9	0.8	0.8	0.7	0.7	1.1	1	1	0.9	0.7
pressure drop	kPa	0.9	0.8	0.8	0.7	0.6	1.4	1.2	1	0.8	0.6	2.0	1.8	1.6	1.4	1.2

Heater R2

Air flow 4600 m³/h (speed 3)

inlet/outlet water temperature	water 70/50 °C					water 80/60 °C					water 90/70 °C					
	°C	0	5	10	15	20	0	5	10	15	20	0	5	10	15	20
inlet air temperature	°C	0	5	10	15	20	0	5	10	15	20	0	5	10	15	20
heat output	kW	34.6	31.2	27.8	24.4	21.0	41.5	38.0	34.5	30.9	27.4	48.4	44.9	41.5	38.0	34.6
outlet air temperature	°C	24.0	26.9	29.9	33.0	36.1	28.5	31.5	34.4	37.5	40.5	32.5	35.4	38.5	41.5	44.6
water flow	m ³ /h	1.4	1.2	1.1	1.0	0.9	1.8	1.6	1.5	1.4	1.2	1.9	1.8	1.8	1.7	1.5
pressure drop	kPa	5.3	4.6	3.7	2.8	1.9	7.6	6.7	5.8	4.9	4.0	10.6	9.7	8.8	7.9	7.0

Heater R3

Air flow 4400 m³/h (speed 3)

inlet/outlet water temperature	water 70/50 °C					water 80/60 °C					water 90/70 °C					
	°C	0	5	10	15	20	0	5	10	15	20	0	5	10	15	20
inlet air temperature	°C	0	5	10	15	20	0	5	10	15	20	0	5	10	15	20
heat output	kW	49.2	45.3	41.6	38.3	34.4	58.4	54.2	50.1	46.1	42.3	67.6	63.4	59.3	55.1	51.1
outlet air temperature	°C	34.5	37	39	41	43	41.5	44	46	48	50	47.5	50	52	54	56
water flow	m ³ /h	1.9	1.9	1.7	1.5	1.3	2.4	2.4	2.2	1.9	1.8	2.8	2.8	2.6	2.4	2.2
pressure drop	kPa	12.3	9.6	7.9	6.4	5	16.7	13.6	11.6	9.7	8.1	21.7	18.1	15.8	13.7	11.8

Ordering guide

Model	Wt (kg)	Product Codes
HEATER R1 (10-30 kW)	10.8 / 11.9	HPUH310001
HEATER R2 (30-50 kW)	12.7 / 14.8	HPUH310002
HEATER R3 (50-70 kW)	14.5 / 16.9	HPUH310003
HEATER MIX	9.2	HPUH310004

Accessories	Product Codes
Panel INTELLIGENT	HPUH310008
Panel COMFORT	HPUH310009
Splitter MULTI 6	HPUH310010

Happy to help

Smith's Environmental Products Ltd is one of the leading manufacturers of heating and cooling products in the UK. We are committed to achieving the highest standards and our faith is supported by a free five year parts and labour guarantee with every product. Our customer service is second to none and we are happy to offer any help and guidance that you might need.

Stockists

All products are available nationally from Builders' Merchants, Plumbers' Merchants, Heating Equipment Distributors and Kitchen Equipment Distributors. In the event of difficulty, please contact us or visit our website SmithsEP.co.uk for details of your nearest stockist.

Information and advice

Full technical specifications and list prices are available to download from our website or in hard copy from our office. Also available on our website are price lists, individual product data sheets, installation & user guides, where to buy, who to contact and a media centre.

Alternatively contact our office 9.00am to 5.00pm Monday to Friday.

As part our commitment to continuous improvement Smith's Environmental Products may change the specifications of its products without prior notification or public announcement. All descriptions, illustrations, drawings and specifications in this publication present only general particulars and shall not form part of any contract. All dimensions are in mm unless otherwise stated.

To view the full product information
download the datasheet at:
www.SmithsEP.co.uk

For product information, customer services or sales support call us on **+44 (0) 1245 324900**

For the Republic of Ireland, contact
MT Agencies on **01 864 3363**

Sales: sales@smithsep.co.uk
General information: info@smithsep.co.uk

Smith's Environmental Products Ltd
Blackall Industrial Estate,
South Woodham Ferrers,
Chelmsford, Essex CM3 5UW

SmithsEP.co.uk

@SmithsEP_UK

#ThinkSmiths

ENGLISH | UK | IRL | July 2018