

# Aegean SFC 235H



A range of fan coil units suitable for all kinds of commercial applications, from restaurants and hotels to office developments, with the ability to rapidly heat and cool large areas with much greater efficiency than other similar heating and cooling systems



## Features

- EC motor for BMS compliance
- Low sound levels
- Fully attenuated discharge plenum
- Positive fall drain tray
- Designed and made in the UK
- For bespoke specifications, including electric heating capability please contact us to discuss your requirements

## Applications

- Education
- Healthcare
- Leisure and sport
- Office
- Hospitality
- Retail
- Showroom
- Industrial

## Finish

Chassis manufactured from 1.2mm hot dipped galvanised steel  
All flanges formed inward facing to prevent exposure to bare metal edges

## Installation

Flow and return connections 15mm  
Designed for system pressures up to 10 bar  
Fan coils are 4-pipe coils (heating and cooling circuit)

## Customised requirements

All leading manufacturers controls factory fitted  
Acoustically lined inlet plenum  
Concealed/hidden applications (underfloor, behind false walls and ceilings)  
Fresh air spigot  
Bespoke options

## Specification

To specify state:  
Horizontal Fan Coil Unit 235mm high with EC motor.  
As Smith's Aegean SFC23510 (or SFC23520, SFC23525, SFC23530, SFC23540, SFC23550, SFC23555, SFC23560)

# Aegean SFC 235H



A range of fan coil units suitable for all kinds of commercial applications, from restaurants and hotels to office developments, with the ability to rapidly heat and cool large areas with much greater efficiency than other similar heating and cooling systems

## Cooling capacities

Unit Model	Fan speed	Chilled water temp. 5.5°C/11°C					
		Entering air temp. °C db/RH					
		22/50%		23/50%		24/50%	
		Total kW	Sens kW	Total kW	Sens kW	Total kW	Sens kW
SFC 23510	1	0.77	0.60	0.86	0.67	0.66	0.95
	2	0.83	0.66	0.92	0.74	0.73	1.02
	3	1.11	0.90	1.24	1.00	0.99	1.36
	4	1.53	1.25	1.70	1.39	1.38	1.87
	5	1.65	1.36	1.83	1.51	1.49	2.01
SFC 23520	1	1.25	0.97	1.39	1.08	1.07	1.53
	2	1.55	1.24	1.72	1.37	1.36	1.89
	3	2.05	1.67	2.28	1.85	1.83	2.50
	4	2.26	1.86	2.51	2.07	2.05	2.76
	5	2.24	1.86	2.48	2.07	2.05	2.73
SFC 23525	1	1.45	1.12	1.61	1.25	1.24	1.77
	2	1.65	1.32	1.84	1.47	1.46	2.02
	3	1.99	1.62	2.21	1.80	1.79	2.43
	4	2.36	1.96	2.62	2.17	2.15	2.89
	5	2.76	2.31	3.07	2.56	2.54	3.37
SFC 23530	1	1.67	1.30	1.85	1.44	1.43	2.04
	2	2.01	1.61	2.23	1.79	1.77	2.46
	3	2.30	1.88	2.55	2.09	2.07	2.81
	4	2.85	2.36	3.16	2.63	2.60	3.48
	5	3.41	2.87	3.79	3.18	3.15	4.17
SFC 23540	1	1.74	1.35	1.93	1.50	1.49	2.12
	2	2.25	1.80	2.49	2.00	1.98	2.74
	3	2.77	2.27	3.08	2.52	2.50	3.39
	4	3.39	2.82	3.77	3.13	3.10	4.14
	5	4.12	3.46	4.58	3.85	3.81	5.03
SFC 23550	1	1.91	1.49	2.12	1.65	1.64	2.33
	2	2.64	2.12	2.93	2.36	2.33	3.23
	3	3.03	2.48	3.36	2.76	2.73	3.70
	4	3.85	3.21	4.28	3.57	3.53	4.71
	5	4.45	3.75	4.94	4.17	4.12	5.43
SFC 23555	1	2.58	2.01	2.87	2.24	2.21	3.15
	2	3.19	2.57	3.55	2.85	2.83	3.90
	3	4.00	3.29	4.44	3.65	3.62	4.89
	4	4.81	4.01	5.34	4.46	4.41	5.87
	5	5.46	4.61	6.07	5.12	5.07	6.68
SFC 23560	1	2.56	1.99	2.84	2.21	2.19	3.12
	2	3.39	2.73	3.76	3.03	3.00	4.14
	3	4.43	3.65	4.92	4.05	4.01	5.42
	4	5.33	4.45	5.92	4.95	4.90	6.51
	5	6.22	5.26	6.91	5.84	5.78	7.60

Unit Model	Fan speed	Chilled water temp. 6°C/12°C					
		Entering air temp. °C db/RH					
		22/50%		23/50%		24/50%	
		Total kW	Sens kW	Total kW	Sens kW	Total kW	Sens kW
SFC 23510	1	0.99	0.78	1.10	0.86	1.21	0.95
	2	1.23	0.98	1.37	1.08	1.50	1.19
	3	1.44	1.15	1.60	1.28	1.76	1.41
	4	1.69	1.34	1.88	1.49	2.07	1.64
	5	1.79	1.45	1.99	1.61	2.19	1.77
SFC 23520	1	1.32	1.06	1.47	1.18	1.62	1.30
	2	1.61	1.29	1.79	1.43	1.97	1.58
	3	1.92	1.53	2.13	1.70	2.34	1.88
	4	2.22	1.78	2.47	1.97	2.72	2.17
	5	2.45	2.02	2.78	2.24	3.00	2.50
SFC 23525	1	1.78	1.42	1.98	1.58	2.17	1.73
	2	2.08	1.66	2.31	1.84	2.54	2.02
	3	2.48	1.99	2.76	2.21	3.04	2.43
	4	2.95	2.18	3.28	2.42	3.61	2.66
	5	3.44	2.79	3.82	3.10	4.20	3.41
SFC 23530	1	1.99	1.58	2.21	1.76	2.44	1.94
	2	2.43	1.92	2.70	2.13	2.97	2.35
	3	2.78	2.19	3.09	2.44	3.40	2.68
	4	3.34	2.64	3.71	2.93	4.08	3.22
	5	3.95	3.14	4.39	3.48	4.83	3.83
SFC 23540	1	2.08	1.66	2.31	1.84	2.54	2.03
	2	2.38	1.88	2.64	2.09	2.90	2.30
	3	3.10	2.43	3.45	2.70	3.79	2.97
	4	3.74	3.01	4.15	3.35	4.57	3.68
	5	4.48	3.57	4.98	3.97	5.47	4.36
SFC 23550	1	2.48	2.06	2.76	2.29	3.03	2.52
	2	3.23	2.65	3.58	2.95	3.94	3.24
	3	3.76	3.13	4.18	3.47	4.60	3.82
	4	4.63	3.79	5.14	4.21	5.66	4.63
	5	5.31	4.37	5.90	4.85	6.49	5.34
SFC 23555	1	3.02	2.50	3.36	2.78	3.69	3.06
	2	3.74	3.06	4.16	3.40	4.57	3.74
	3	4.57	3.72	5.08	4.14	5.59	4.55
	4	5.41	4.44	6.01	4.94	6.61	5.43
	5	6.32	5.23	7.02	5.81	7.72	6.39
SFC 23560	1	2.96	2.38	3.29	2.64	3.62	2.90
	2	4.45	3.07	4.95	3.41	5.44	3.75
	3	5.05	4.03	5.61	4.48	6.18	4.92
	4	6.00	4.88	6.67	5.42	7.34	5.97
	5	6.96	5.69	7.73	6.32	8.51	6.95

- A) Duties are based on 30 Pa ESP.
- B) Refer to air Volume & Cooling Correction Factors chart for alternative ESP conditions.
- C) For alternative chilled water conditions please contact Smith's Environmental Systems Ltd.
- D) For full technical selection schedules including water flow rate and pressure drops, please contact Smith's Environmental Systems Ltd.

# Aegean SFC 235H



A range of fan coil units suitable for all kinds of commercial applications, from restaurants and hotels to office developments, with the ability to rapidly heat and cool large areas with much greater efficiency than other similar heating and cooling systems

## Cooling capacities

Unit Model	Fan speed	Chilled water temp. 11°C/15°C					
		Entering air temp. °C db/RH					
		22/50%		23/50%		24/50%	
		Total kW	Sens kW	Total kW	Sens kW	Total kW	Sens kW
SFC 23510	1	0.82	0.82	0.91	0.91	1.00	1.00
	2	0.95	0.95	1.06	1.06	1.17	1.17
	3	1.23	1.23	1.37	1.37	1.51	1.51
	4	1.60	1.60	1.78	1.78	1.96	1.96
	5	1.78	1.78	1.97	1.97	2.17	2.17
SFC 23520	1	1.07	1.07	1.19	1.19	1.30	1.30
	2	1.35	1.35	1.50	1.50	1.65	1.65
	3	1.77	1.77	1.96	1.96	2.16	2.16
	4	2.00	2.00	2.22	2.22	2.45	2.45
	5	2.09	2.09	2.32	2.32	2.55	2.55
SFC 23525	1	1.15	1.15	1.27	1.27	1.40	1.40
	2	1.38	1.38	1.53	1.53	1.69	1.69
	3	1.69	1.69	1.88	1.88	2.06	2.06
	4	2.02	2.02	2.24	2.24	2.47	2.47
	5	2.36	2.36	2.63	2.63	2.89	2.89
SFC 23530	1	1.24	1.24	1.38	1.38	1.52	1.52
	2	1.56	1.56	1.73	1.73	1.90	1.90
	3	1.84	1.84	2.04	2.04	2.25	2.25
	4	2.27	2.27	2.52	2.52	2.78	2.78
	5	2.72	2.72	3.02	3.02	3.32	3.32
SFC 23540	1	1.26	1.26	1.40	1.40	1.54	1.54
	2	1.67	1.67	1.85	1.85	2.04	2.04
	3	2.08	2.08	2.31	2.31	2.54	2.54
	4	2.55	2.55	2.84	2.84	3.12	3.12
	5	3.09	3.09	3.44	3.44	3.78	3.78
SFC 23550	1	1.34	1.34	1.49	1.49	1.64	1.64
	2	1.86	1.86	2.07	2.07	2.28	2.28
	3	2.20	2.20	2.45	2.45	2.69	2.69
	4	2.79	2.79	3.10	3.10	3.41	3.41
	5	3.25	3.25	3.61	3.61	3.98	3.98
SFC 23555	1	1.68	1.68	1.86	1.86	2.05	2.05
	2	2.15	2.15	2.38	2.38	2.62	2.62
	3	2.72	2.72	3.03	3.03	3.33	3.33
	4	3.31	3.31	3.67	3.67	4.04	4.04
	5	3.81	3.81	4.23	4.23	4.65	4.65
SFC 23560	1	1.78	1.78	1.98	1.98	2.17	2.17
	2	2.24	2.24	2.49	2.49	2.74	2.74
	3	2.94	2.94	3.27	3.27	3.59	3.59
	4	3.56	3.56	3.96	3.96	4.35	4.35
	5	4.16	4.16	4.62	4.62	5.08	5.08

## Heating capacities

Unit Model	Fan speed	Entering air temp 20°C db	
		LPHW 82/71°C	LPHW 60/50°C
SFC 23510	1	0.64	0.34
	2	0.84	0.44
	3	1.13	0.60
	4	1.61	0.89
	5	1.85	1.04
SFC 23520	1	0.91	0.50
	2	1.3	0.74
	3	1.75	1.03
	4	2.1	1.23
	5	2.24	1.31
SFC 23525	1	1.42	0.82
	2	1.99	1.17
	3	2.57	1.50
	4	3.04	1.77
	5	3.43	2.00
SFC 23530	1	1.53	0.91
	2	2.2	1.31
	3	2.79	1.66
	4	3.71	2.20
	5	4.27	2.53
SFC 23540	1	2.14	1.29
	2	3.16	1.89
	3	4.39	2.63
	4	5.25	3.13
	5	5.86	3.49
SFC 23550	1	2.19	1.23
	2	3.26	1.91
	3	4.37	2.57
	4	5.56	3.26
	5	6.28	3.67
SFC 23555	1	2.77	1.59
	2	4.17	2.45
	3	5.72	3.36
	4	6.67	3.90
	5	7.4	4.32
SFC 23560	1	3.38	2.00
	2	5.21	3.08
	3	7.04	4.15
	4	8.08	4.76
	5	8.85	5.20

- A) Duties are based on 30 Pa ESP.
- B) Refer to air Volume & Cooling Correction Factors chart for alternative ESP conditions.
- C) For alternative chilled water conditions please contact Smith's Environmental Systems Ltd.
- D) For full technical selection schedules including water flow rate and pressure drops, please contact Smith's Environmental Systems Ltd.

- A) Duties above are based on 30 Pa ESP.
- B) For alternative ESP conditions, please contact Smith's Environmental Systems Ltd.
- C) For alternative 'air on' temperatures, calculate the factor as below and multiply by mean basic rating to obtain new capacity.  
Factor: Calculate the mean water temperature (i.e. EWT/LWT of 60°/50°C = 55 EWT/LWT of 82°/71°C = 76.5) minus the required 'air on' temperature.  
Example: For an 'air on' temperature of 19°C and EWT/LWT of 60°/50°C then the calculation would be 55 - 19 = 36. Therefore, to attain the capacity of SFC 50 at speed 3, take the mean basic rating (0.0734) and multiply by factor(36); 0.0734 x 36 = 2.64 kW.
- D) For full technical selection schedules including water flow rates & pressure drops please contact Smith's.
- E) Duties are based on a standard 4-tube heating circuit. Larger duties are achievable by increasing heating coil circuitry. Please contact Smith's for further details.

# Aegean SFC 235H



A range of fan coil units suitable for all kinds of commercial applications, from restaurants and hotels to office developments, with the ability to rapidly heat and cool large areas with much greater efficiency than other similar heating and cooling systems

## Acoustic Data

Unit Model	Fan speed	Octave Band Mid Frequency (Hz)										
		63	125	250	500	1k	2k	4k	8k	NR guide		
SFC 23510	1	Inlet & Casing	51	44	43	40	30	20	18	20	34	
		Discharge	42	34	33	28	26	19	18	14	34	
	2	Inlet & Casing	51	46	47	43	35	25	14	21	34	
		Discharge	42	38	37	34	34	24	19	18	14	
	3	Inlet & Casing	54	48	49	47	37	31	26	23	37	
		Discharge	45	39	42	41	39	29	21	19	37	
	4	Inlet & Casing	52	50	52	53	43	36	30	23	42	
		Discharge	45	43	44	42	42	32	28	21	42	
	5	Inlet & Casing	54	52	53	55	46	43	35	25	45	
		Discharge	47	48	48	40	46	36	30	23	44	
	SFC 23520	1	Inlet & Casing	53	45	44	40	31	22	20	22	35
			Discharge	44	38	33	31	23	23	22	20	35
		2	Inlet & Casing	54	48	46	46	35	28	20	23	37
			Discharge	45	41	37	37	31	20	22	25	37
		3	Inlet & Casing	60	50	49	51	40	33	28	24	37
Discharge			50	41	39	41	40	28	22	25	37	
4		Inlet & Casing	60	52	51	49	45	40	31	24	41	
		Discharge	51	43	42	46	43	33	28	25	41	
5		Inlet & Casing	59	53	53	54	49	44	35	27	44	
		Discharge	52	45	44	46	47	36	35	29	44	
SFC 23525		1	Inlet & Casing	48	48	51	47	42	33	27	31	36
			Discharge	45	42	41	42	35	30	25	29	36
		2	Inlet & Casing	52	49	52	50	44	38	30	28	41
			Discharge	45	43	42	42	42	34	26	28	40
		3	Inlet & Casing	53	51	53	53	48	41	37	26	44
	Discharge		48	45	46	46	45	39	33	32	43	
	4	Inlet & Casing	52	54	55	53	50	45	40	30	45	
		Discharge	45	49	48	49	48	39	38	34	45	
	5	Inlet & Casing	52	56	59	58	55	49	45	36	50	
		Discharge	50	50	52	50	52	45	43	39	49	
	SFC 23530	1	Inlet & Casing	50	49	52	50	45	36	28	30	39
			Discharge	50	47	45	44	39	31	26	31	38
		2	Inlet & Casing	53	55	54	51	46	41	30	32	43
			Discharge	48	46	44	45	42	32	24	31	42
		3	Inlet & Casing	54	55	56	55	48	43	38	30	45
Discharge			50	50	48	47	43	37	30	30	45	
4		Inlet & Casing	54	58	56	56	52	49	41	30	46	
		Discharge	50	50	51	51	48	42	35	33	46	
5		Inlet & Casing	53	56	56	59	54	49	47	38	47	
		Discharge	50	52	52	51	51	45	41	38	47	
SFC 23540		1	Inlet & Casing	55	54	57	52	45	39	28	33	41
			Discharge	53	51	46	48	43	32	27	32	40
		2	Inlet & Casing	58	55	56	55	47	41	34	33	41
			Discharge	53	50	48	47	44	38	31	31	40
		3	Inlet & Casing	56	55	57	55	48	44	38	30	46
	Discharge		52	51	50	51	50	43	34	36	45	
	4	Inlet & Casing	56	56	58	55	51	46	44	36	48	
		Discharge	52	54	52	51	51	48	41	42	47	
	5	Inlet & Casing	57	58	61	59	55	52	50	42	52	
		Discharge	54	55	55	54	55	51	47	45	51	
	SFC 23550	1	Inlet & Casing	59	56	56	55	48	44	29	34	41
			Discharge	52	53	47	44	38	30	27	32	40
		2	Inlet & Casing	59	58	58	55	52	48	36	36	44
			Discharge	55	52	48	47	44	34	25	31	43
		3	Inlet & Casing	59	61	59	59	54	50	42	34	48
Discharge			56	55	54	50	47	38	34	33	47	
4		Inlet & Casing	59	59	58	60	57	54	48	51	48	
		Discharge	57	57	54	53	52	41	39	37	48	
5		Inlet & Casing	59	61	63	61	67	58	52	43	52	
		Discharge	57	57	57	54	52	49	45	45	51	
SFC 23555		1	Inlet & Casing	56	58	62	58	53	50	34	35	44
			Discharge	55	54	51	46	44	35	28	35	43
		2	Inlet & Casing	59	59	61	60	56	53	44	35	46
			Discharge	55	56	52	50	48	43	32	36	46
		3	Inlet & Casing	56	58	58	61	58	57	49	36	49
	Discharge		56	56	56	52	51	48	43	41	49	
	4	Inlet & Casing	57	59	61	61	59	59	51	46	51	
		Discharge	57	60	57	55	54	51	48	46	50	
	5	Inlet & Casing	59	63	65	63	62	60	58	50	54	
		Discharge	58	60	59	57	60	54	49	49	53	
	SFC 23560	1	Inlet & Casing	59	59	61	60	53	47	40	35	45
			Discharge	56	55	54	51	47	38	28	34	44
		2	Inlet & Casing	62	60	63	60	57	55	46	36	48
			Discharge	58	56	54	54	51	45	39	36	47
		3	Inlet & Casing	62	61	63	63	59	56	51	38	52
Discharge			61	58	56	55	55	52	43	45	51	
4		Inlet & Casing	62	61	64	63	63	61	54	48	52	
		Discharge	62	60	59	58	57	55	49	51	51	
5		Inlet & Casing	59	61	63	65	63	62	58	52	55	
		Discharge	64	62	61	57	62	57	58	57	54	

A) The acoustic data provides is based on an ESP of 30 Pa.  
 B) Inlet & casing figures are sound power levels (SWL DB ref 10<sup>-12</sup> W).  
 The following factors have been applied to the discharge sound spectrum state to allow for ductwork, plenum and grille:

63	125	250	500	1k	2k	4k	8k	(Hz)
-5	-5	-5	-9	-10	-10	-9	-3	(dB)

- (Add factors back into discharge spectrum to return to sound power levels)
- C) NR figures are given for guide purposes only and cannot relate to every given application. We recommend that the advice of an acoustic engineer is sought on individual projects in order to obtain accurate NR levels for a given space.
  - D) Consideration must be given to spigot connection number and dimensions in order to achieve acceptable air velocities (2.5m/s or below). This includes connected ductwork as increased velocity will in turn increase sound levels.

# Aegean SFC 235H



A range of fan coil units suitable for all kinds of commercial applications, from restaurants and hotels to office developments, with the ability to rapidly heat and cool large areas with much greater efficiency than other similar heating and cooling systems

## Cooling correction factors

Unit Model	Fan speed	Cooling duty correction factors									
		10 Pa		20 Pa		30Pa		40 Pa		50 pa	
		Tot Clg	Sens Clg	Tot Clg	Sens Clg	Tot Clg	Sens Clg	Tot Clg	Sens Clg	Tot Clg	Sens Clg
SFC 23510	1	N/A	N/A	N/A	N/A	N/A	N/A	N/A	N/A	N/A	N/A
	2	1.13	1.16	1.07	1.09	1.00	1.00	0.94	0.93	0.90	0.88
	3	1.09	1.11	1.05	1.05	1.00	1.00	0.96	0.95	0.91	0.90
	4	1.05	1.05	1.02	1.02	1.00	1.00	0.97	0.96	0.94	0.93
	5	1.05	1.05	1.02	1.02	1.00	1.00	0.99	0.98	0.97	0.96
SFC 23520	1	1.14	1.18	1.09	1.11	1.00	1.00	0.94	0.93	0.89	0.87
	2	1.09	1.11	1.04	1.04	1.00	1.00	0.97	0.96	0.93	0.92
	3	1.07	1.09	1.05	1.05	1.00	1.00	0.97	0.97	0.95	0.94
	4	1.05	1.06	1.03	1.03	1.00	1.00	0.98	0.98	0.96	0.95
	5	1.02	1.03	1.01	1.01	1.00	1.00	0.98	0.98	0.96	0.95
SFC 23525	1	1.13	1.16	1.04	1.04	1.00	1.00	0.92	0.91	0.88	0.85
	2	1.05	1.06	1.02	1.03	1.00	1.00	0.94	0.93	0.90	0.88
	3	1.07	1.09	1.03	1.03	1.00	1.00	0.98	0.98	0.93	0.92
	4	1.03	1.03	1.02	1.02	1.00	1.00	0.95	0.94	0.93	0.92
	5	1.05	1.05	1.03	1.03	1.00	1.00	0.99	0.98	0.97	0.96
SFC 23530	1	1.13	1.16	1.05	1.06	1.00	1.00	0.92	0.91	0.88	0.85
	2	1.05	1.06	1.02	1.03	1.00	1.00	0.96	0.95	0.91	0.90
	3	1.07	1.09	1.03	1.03	1.00	1.00	0.97	0.97	0.94	0.93
	4	1.05	1.06	1.02	1.02	1.00	1.00	0.98	0.98	0.94	0.93
	5	1.02	1.03	1.02	1.02	1.00	1.00	0.97	0.97	0.95	0.94
SFC 23540	1	1.13	1.16	1.07	1.09	1.00	1.00	0.93	0.92	0.88	0.85
	2	1.09	1.11	1.03	1.03	1.00	1.00	0.95	0.94	0.90	0.88
	3	1.05	1.06	1.03	1.03	1.00	1.00	0.97	0.96	0.93	0.92
	4	1.05	1.06	1.02	1.02	1.00	1.00	0.98	0.98	0.96	0.95
	5	1.03	1.03	1.02	1.02	1.00	1.00	0.98	0.98	0.96	0.95
SFC 23550	1	1.13	1.17	1.09	1.11	1.00	1.00	0.90	0.88	0.88	0.85
	2	1.08	1.10	1.05	1.06	1.00	1.00	0.95	0.94	0.90	0.88
	3	1.07	1.09	1.05	1.05	1.00	1.00	0.97	0.96	0.94	0.92
	4	1.04	1.04	1.02	1.02	1.00	1.00	0.97	0.97	0.95	0.94
	5	1.03	1.03	1.01	1.01	1.00	1.00	0.98	0.98	0.96	0.96
SFC 23555	1	1.13	1.16	1.07	1.09	1.00	1.00	0.93	0.92	0.88	0.85
	2	1.07	1.09	1.02	1.03	1.00	1.00	0.94	0.93	0.89	0.87
	3	1.05	1.06	1.02	1.03	1.00	1.00	0.96	0.95	0.93	0.92
	4	1.03	1.03	1.01	1.01	1.00	1.00	0.99	0.98	0.96	0.95
	5	1.02	1.03	1.01	1.01	1.00	1.00	0.99	0.98	0.97	0.97
SFC 23560	1	1.14	1.18	1.08	1.10	1.00	1.00	0.95	0.94	0.87	0.85
	2	1.08	1.10	1.03	1.03	1.00	1.00	0.96	0.95	0.90	0.88
	3	1.07	1.09	1.03	1.04	1.00	1.00	0.97	0.96	0.92	0.91
	4	1.04	1.04	1.01	1.01	1.00	1.00	0.98	0.98	0.96	0.95
	5	1.04	1.04	1.02	1.02	1.00	1.00	0.99	0.98	0.97	0.96

- A) Cooling correction factors to be applied to cooling capacities to provide duty for the required ESP condition.  
 B) For alternative ESP conditions please contact Smith's Environmental Systems Ltd.

# Aegean SFC 235H

A range of fan coil units suitable for all kinds of commercial applications, from restaurants and hotels to office developments, with the ability to rapidly heat and cool large areas with much greater efficiency than other similar heating and cooling systems

## Air volumes

Unit Model	Fan speed	Air Volume l/s V's ESP				
		10 Pa	20 Pa	30 Pa	40 Pa	50 Pa
SFC 23510	1	40	N/A	N/A	N/A	N/A
	2	63	57	52	48	44
	3	82	75	70	66	61
	4	108	104	101	96	92
	5	129	125	121	119	115
SFC 23520	1	68	62	54	49	45
	2	89	83	78	74	70
	3	117	112	105	101	92
	4	137	132	126	116	108
	5	153	145	135	128	119
SFC 23525	1	101	90	85	76	67
	2	130	125	120	110	101
	3	170	162	155	150	140
	4	212	200	195	182	175
	5	252	246	235	230	223
SFC 23530	1	113	98	90	80	71
	2	153	138	130	122	114
	3	192	181	165	158	150
	4	238	229	220	214	202
	5	282	277	270	260	251
SFC 23540	1	151	137	125	113	99
	2	212	195	185	172	157
	3	282	270	258	245	232
	4	345	330	320	309	300
	5	400	391	380	368	358
SFC 23550	1	169	148	130	112	103
	2	231	210	195	182	165
	3	290	280	262	252	242
	4	355	345	335	322	310
	5	415	404	395	385	375
SFC 23555	1	202	182	165	148	130
	2	280	261	250	228	208
	3	372	358	345	325	310
	4	455	445	435	425	408
	5	530	520	510	500	488
SFC 23560	1	252	225	200	186	162
	2	368	334	310	290	265
	3	470	450	425	402	380
	4	560	542	530	515	500
	5	645	625	608	596	580



## Power input and starting/running currents

Model (kW)	Number of fans	Watts	Max. starting current (Amps)	Max. running current (Amps)
SFC 23510	1	65	0.5	0.5
SFC 23520	1	65	0.5	0.5
SFC 23525	2	130	1	1
SFC 23530	2	130	1	1
SFC 23540	3	195	1.5	1.5
SFC 23550	3	195	1.5	1.5
SFC 23555	4	260	2	2
SFC 23560	5	325	2.5	2.5

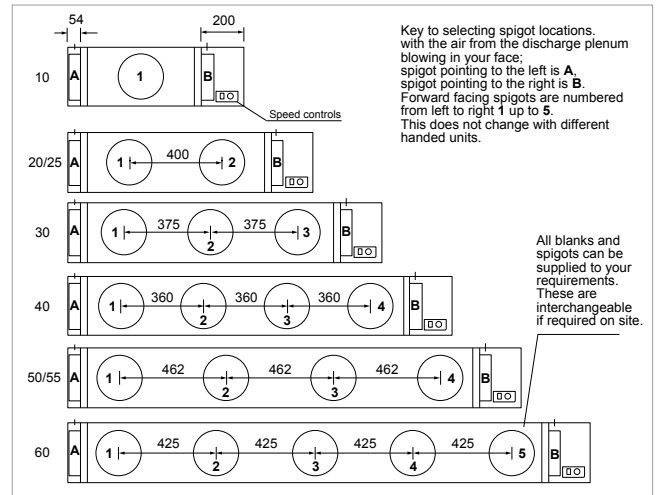
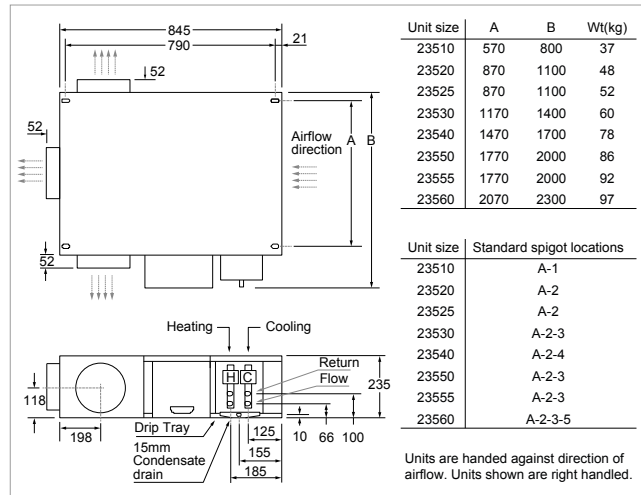
Based on 230/1/50 supply and 30Pa ESP at maximum speed

- A) Refer to air volumes at 30 Pa ESP for cooling capacity charts  
 B) Refer to appropriate ESP condition when applying correction factors to cooling capacity.

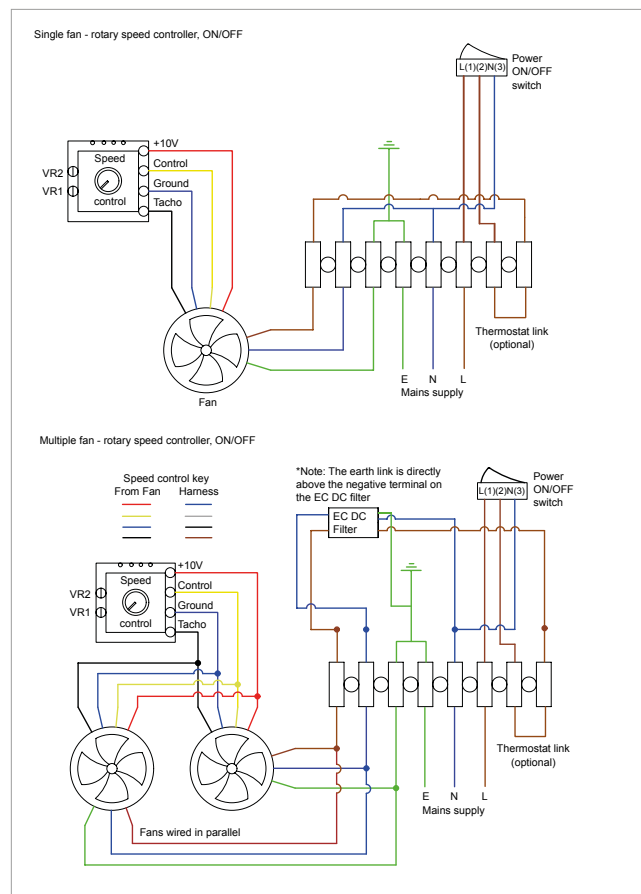
# Aegean SFC 235H

A range of fan coil units suitable for all kinds of commercial applications, from restaurants and hotels to office developments, with the ability to rapidly heat and cool large areas with much greater efficiency than other similar heating and cooling systems

## Dimensions



## Electrical data - Wiring diagram



## Ordering guide

Listed below are the basic models. For all other variants please visit our website for the most up to date information.

Description	Wt (Kg)	Product Codes
AEGEAN SFC235EC/10	37	HPAE20004
AEGEAN SFC235EC/20	48	HPAE20005
AEGEAN SFC235EC/25	52	HPAE20006
AEGEAN SFC235EC/30	60	HPAE20007
AEGEAN SFC235EC/40	78	HPAE20008
AEGEAN SFC235EC/50	86	HPAE20009
AEGEAN SFC235EC/55	92	HPAE20010
AEGEAN SFC235EC/60	97	HPAE20011

For bespoke specifications, including electric heating capability please contact us to discuss your requirements

As part our commitment to continuous improvement Smith's Environmental Products may change the specifications of its products without prior notification or public announcement. All descriptions, illustrations, drawings and specifications in this publication present only general particulars and shall not form part of any contract. All dimensions are in mm unless otherwise stated.