

Aegean SFC 260H



A range of fan coil units suitable for all kinds of commercial applications, from restaurants and hotels to office developments, with the ability to rapidly heat and cool large areas with much greater efficiency than other similar heating and cooling systems



Features

- EC motor for BMS compliance
- Low sound levels
- Fully attenuated discharge plenum
- Positive fall drain tray
- Designed and made in the UK
- For bespoke specifications, including electric heating capability please contact us to discuss your requirements

Applications

- Education
- Healthcare
- Leisure and sport
- Office
- Hospitality
- Retail
- Showroom
- Industrial

Finish

Chassis manufactured from 1.2mm hot dipped galvanised steel
All flanges formed inward facing to prevent exposure to bare metal edges

Installation

Flow and return connections 15mm
Designed for system pressures up to 10 bar
Fan coils are 4-pipe coils (heating and cooling circuit)

Customised requirements

All leading manufacturers controls factory fitted
Acoustically lined inlet plenum
Concealed/hidden applications (underfloor, behind false walls and ceilings)
Fresh air spigot
Bespoke options

Specification

To specify state:
Horizontal Fan Coil Unit 260mm high with EC motor.
As Smith's Aegean SFC26010 (or SFC26020, SFC26025, SFC26030, SFC26040, SFC26050, SFC26055, SFC26060)

Aegean SFC 260H



A range of fan coil units suitable for all kinds of commercial applications, from restaurants and hotels to office developments, with the ability to rapidly heat and cool large areas with much greater efficiency than other similar heating and cooling systems

Cooling capacities

Unit Model	Fan speed	Chilled water temp. 5.5°C/11°C					
		Entering air temp. °C db/RH					
		22/50%		23/50%		24/50%	
		Total kW	Sens kW	Total kW	Sens kW	Total kW	Sens kW
SFC 26010	1	1.11	0.84	1.18	0.92	1.29	1.03
	2	1.36	1.06	1.48	1.18	1.65	1.35
	3	1.63	1.30	1.77	1.43	1.99	1.66
	4	1.89	1.51	2.06	1.69	2.34	1.97
	5	2.15	1.73	2.53	1.94	2.75	2.30
SFC 26020	1	1.51	1.16	1.58	1.23	1.75	1.40
	2	1.84	1.45	1.96	1.57	2.15	1.76
	3	2.18	1.74	2.34	1.90	2.57	2.13
	4	2.55	2.07	2.71	2.23	3.02	2.54
	5	2.85	2.33	3.09	2.57	3.48	2.96
SFC 26025	1	2.24	1.71	2.38	1.85	2.60	2.08
	2	2.68	2.10	2.92	2.34	3.29	2.71
	3	3.16	2.53	3.47	2.84	3.93	3.30
	4	3.66	2.98	4.01	3.33	4.49	3.81
	5	4.18	3.45	4.56	3.83	5.13	4.40
SFC 26030	1	2.62	2.01	2.77	2.16	3.01	2.40
	2	3.15	2.48	3.40	2.73	3.78	3.11
	3	3.72	3.00	4.03	3.31	4.55	3.82
	4	4.25	3.47	4.66	3.88	5.25	4.47
	5	4.87	4.04	5.29	4.46	5.95	5.11
SFC 26040	1	2.97	2.27	3.17	2.47	3.56	2.86
	2	3.27	2.51	3.88	3.12	4.19	3.43
	3	4.12	3.30	4.60	3.78	5.32	4.50
	4	4.79	3.91	5.32	4.43	6.11	5.23
	5	5.46	4.51	6.03	5.08	6.89	5.94
SFC 26050	1	3.67	2.80	3.96	3.09	4.37	3.50
	2	4.46	3.52	4.85	3.90	5.44	4.49
	3	5.17	4.16	5.73	4.72	6.60	5.58
	4	5.96	4.87	6.62	5.53	7.54	6.45
	5	6.76	5.60	7.50	6.34	8.40	7.24
SFC 26055	1	4.06	3.10	4.36	3.40	4.83	3.87
	2	4.86	3.83	5.33	4.29	6.06	5.02
	3	5.67	4.55	6.30	5.18	7.23	6.11
	4	6.49	5.30	7.27	6.08	8.14	6.95
	5	7.47	6.20	8.24	6.97	9.34	8.07
SFC 26060	1	4.33	3.28	4.76	3.71	5.38	4.33
	2	5.29	4.16	5.81	4.68	6.78	5.65
	3	6.18	4.97	6.86	5.65	7.91	6.70
	4	7.11	5.82	7.92	6.63	9.08	7.79
	5	8.10	6.73	8.97	7.60	10.27	8.89

Unit Model	Fan speed	Chilled water temp. 6°C/12°C					
		Entering air temp. °C db/RH					
		22/50%		23/50%		24/50%	
		Total kW	Sens kW	Total kW	Sens kW	Total kW	Sens kW
SFC 26010	1	1.00	0.77	1.05	0.84	1.20	0.97
	2	1.24	0.95	1.37	1.08	1.52	1.24
	3	1.47	1.15	1.60	1.28	1.84	1.52
	4	1.69	1.30	1.88	1.49	2.16	1.76
	5	1.98	1.47	2.33	1.99	2.60	2.14
SFC 26020	1	1.39	1.11	1.47	1.18	1.57	1.29
	2	1.68	1.32	1.79	1.43	2.00	1.64
	3	1.98	1.55	2.13	1.70	2.37	1.95
	4	2.27	1.77	2.47	1.97	2.75	2.25
	5	2.54	2.02	2.78	2.26	3.14	2.62
SFC 26025	1	2.03	1.59	2.18	1.74	2.39	1.94
	2	2.41	1.88	2.64	2.11	2.95	2.42
	3	2.83	2.20	3.14	2.51	3.61	2.98
	4	3.44	2.49	3.69	2.74	4.33	3.38
	5	3.82	3.03	4.21	3.42	4.74	3.95
SFC 26030	1	2.31	1.80	2.54	2.02	2.75	2.24
	2	2.88	2.24	3.12	2.47	3.48	2.83
	3	3.33	2.57	3.65	2.89	4.18	3.42
	4	3.85	2.97	4.23	3.35	4.89	4.00
	5	4.86	3.87	4.85	3.86	5.56	4.57
SFC 26040	1	2.71	2.12	2.97	2.37	3.25	2.65
	2	2.99	2.30	3.35	2.66	3.90	3.21
	3	3.68	2.78	4.19	3.29	4.93	4.03
	4	4.25	3.26	4.86	3.88	5.69	4.71
	5	4.90	3.78	5.55	4.43	6.43	5.32
SFC 26050	1	3.29	2.66	3.60	2.96	3.99	3.35
	2	3.97	3.18	4.35	3.55	4.93	4.13
	3	4.57	3.66	5.16	4.25	5.94	5.03
	4	5.28	4.18	5.97	4.86	6.93	5.83
	5	5.95	4.72	6.77	5.55	7.76	6.54
SFC 26055	1	3.63	2.94	3.91	3.08	4.49	3.80
	2	4.34	3.45	4.78	3.89	5.49	4.60
	3	5.02	3.95	5.67	4.60	6.61	5.54
	4	5.76	4.59	6.52	5.13	7.60	6.42
	5	6.74	5.41	7.68	5.54	8.66	7.34
SFC 26060	1	3.42	2.59	4.31	3.48	4.99	4.16
	2	4.63	3.18	5.45	4.21	6.44	5.09
	3	5.56	4.30	6.34	5.08	7.38	6.11
	4	6.50	5.14	7.30	5.94	8.47	7.11
	5	7.39	5.89	8.26	6.76	9.51	8.00

- A) Duties are based on 30 Pa ESP.
- B) Refer to air Volume & Cooling Correction Factors chart for alternative ESP conditions.
- C) For alternative chilled water conditions please contact Smith's Environmental Systems Ltd.
- D) For full technical selection schedules including water flow rate and pressure drops, please contact Smith's Environmental Systems Ltd.

Aegean SFC 260H



A range of fan coil units suitable for all kinds of commercial applications, from restaurants and hotels to office developments, with the ability to rapidly heat and cool large areas with much greater efficiency than other similar heating and cooling systems

Cooling capacities

Unit Model	Fan speed	Chilled water temp. 11°C/15°C					
		Entering air temp. °C db/RH					
		22/50%		23/50%		24/50%	
		Total kW	Sens kW	Total kW	Sens kW	Total kW	Sens kW
SFC 26010	1	0.69	0.69	0.7400	0.7400	0.83	0.83
	2	0.84	0.84	0.94175	0.94175	1.03	1.03
	3	1.07	1.07	1.1435	1.1435	1.26	1.26
	4	1.19	1.19	1.34525	1.34525	1.49	1.49
	5	1.34	1.34	1.5470	1.5470	1.70	1.70
SFC 26020	1	0.86	0.86	0.93	0.93	0.99	0.99
	2	1.06	1.06	1.18	1.18	1.28	1.28
	3	1.32	1.32	1.43	1.43	1.57	1.57
	4	1.53	1.53	1.68	1.68	1.84	1.84
	5	1.73	1.73	1.93	1.93	2.13	2.13
SFC 26025	1	1.17	1.17	1.30	1.30	1.41	1.41
	2	1.46	1.46	1.65	1.65	1.84	1.84
	3	1.76	1.76	2.00	2.00	2.25	2.25
	4	2.04	2.04	2.35	2.35	2.64	2.64
	5	2.23	2.23	2.70	2.70	2.91	2.91
SFC 26030	1	1.32	1.32	1.48	1.48	1.61	1.61
	2	1.59	1.59	1.88	1.88	1.98	1.98
	3	2.01	2.01	2.28	2.28	2.54	2.54
	4	2.33	2.33	2.69	2.69	3.00	3.00
	5	2.70	2.70	3.09	3.09	3.48	3.48
SFC 26040	1	1.69	1.69	1.85	1.85	2.05	2.05
	2	2.07	2.07	2.35	2.35	2.65	2.65
	3	2.46	2.46	2.86	2.86	3.26	3.26
	4	2.87	2.87	3.36	3.36	3.81	3.81
	5	3.33	3.33	3.86	3.86	4.30	4.30
SFC 26050	1	1.81	1.81	2.04	2.04	2.26	2.26
	2	2.27	2.27	2.59	2.59	2.91	2.91
	3	2.68	2.68	3.14	3.14	3.57	3.57
	4	3.15	3.15	3.69	3.69	4.21	4.21
	5	3.60	3.60	4.24	4.24	4.82	4.82
SFC 26055	1	1.98	1.98	2.2500	2.2250	2.48	2.48
	2	2.44	2.44	2.83	2.83	3.21	3.21
	3	2.92	2.92	3.43	3.43	3.94	3.94
	4	3.42	3.42	4.03	4.03	4.63	4.63
	5	3.94	3.94	4.6260	4.6260	5.26	5.26
SFC 26060	1	2.20	2.20	2.55	2.55	2.89	2.89
	2	2.62	2.62	3.07	3.07	3.61	3.61
	3	3.18	3.18	3.71	3.71	4.30	4.30
	4	3.67	3.67	4.35	4.35	5.03	5.03
	5	4.20	4.20	4.95	4.95	5.70	5.70

Heating capacities

Unit Model	Fan speed	Entering air temp 20°C db	
		LPHW 82/71°C	LPHW 60/50°C
SFC 26010	1	1.91	0.80
	2	2.08175	0.87
	3	2.2535	0.95
	4	2.42525	1.02
	5	2.597	1.09
SFC 26020	1	2.30	0.97
	2	2.52	1.06
	3	2.74	1.15
	4	2.96	1.24
	5	3.18	1.34
SFC 26025	1	3.09	1.30
	2	3.41	1.43
	3	3.72	1.56
	4	4.04	1.70
	5	4.35	1.83
SFC 26030	1	3.48	1.46
	2	3.85	1.62
	3	4.21	1.77
	4	4.57	1.92
	5	4.94	2.07
SFC 26040	1	3.88	1.63
	2	4.29	1.80
	3	4.70	1.97
	4	5.11	2.15
	5	5.52	2.32
SFC 26050	1	4.66	1.96
	2	5.17	2.17
	3	5.68	2.38
	4	6.18	2.60
	5	6.69	2.81
SFC 26055	1	5.056	2.12
	2	5.611	2.36
	3	6.166	2.59
	4	6.721	2.82
	5	7.276	3.06
SFC 26060	1	5.45	2.29
	2	6.05	2.54
	3	6.66	2.80
	4	7.26	3.05
	5	7.86	3.30

- A) Duties are based on 30 Pa ESP.
- B) Refer to air Volume & Cooling Correction Factors chart for alternative ESP conditions.
- C) For alternative chilled water conditions please contact Smith's Environmental Systems Ltd.
- D) For full technical selection schedules including water flow rate and pressure drops, please contact Smith's Environmental Systems Ltd.

- A) Duties above are based on 30 Pa ESP.
- B) For alternative ESP conditions, please contact Smith's Environmental Systems Ltd.
- C) For alternative 'air on' temperatures, calculate the factor as below and multiply by mean basic rating to obtain new capacity.
Factor: Calculate the mean water temperature (i.e. EWT/LWT of 60°/50°C = 55 EWT/LWT of 82°/71°C = 76.5) minus the required 'air on' temperature.
Example: For an 'air on' temperature of 19°C and EWT/LWT of 60°/50°C then the calculation would be 55 - 19 = 36. Therefore, to attain the capacity of SFC 50 at speed 3, take the mean basic rating (0.0929) and multiply by factor (36); 0.0929 x 36 = 3.34 kW.
- D) For full technical selection schedules including water flow rates & pressure drops please contact Smith's.
- E) Duties are based on a standard 4-tube heating circuit. Larger duties are achievable by increasing heating coil circuitry. Please contact Smith's for further details.

Aegean SFC 260H



A range of fan coil units suitable for all kinds of commercial applications, from restaurants and hotels to office developments, with the ability to rapidly heat and cool large areas with much greater efficiency than other similar heating and cooling systems

Cooling correction factors

Unit Model	Fan speed	Cooling duty correction factors									
		10 Pa		20 Pa		30Pa		40 Pa		50 pa	
		Tot Clg	Sens Clg	Tot Clg	Sens Clg	Tot Clg	Sens Clg	Tot Clg	Sens Clg	Tot Clg	Sens Clg
SFC 26010	1	1.13	1.16	1.07	1.09	1.00	1.00	0.87	0.84	N/A	N/A
	2	1.09	1.11	1.02	1.03	1.00	1.00	0.96	0.95	0.92	0.91
	3	1.07	1.09	1.05	1.04	1.00	1.00	0.97	0.97	0.94	0.93
	4	1.05	1.05	1.02	1.02	1.00	1.00	0.97	0.97	0.94	0.93
	5	1.03	1.03	1.02	1.02	1.00	1.00	0.98	0.98	0.97	0.96
SFC 26020	1	1.13	1.16	1.08	1.10	1.00	1.00	0.86	0.83	N/A	N/A
	2	1.05	1.06	1.02	1.02	1.00	1.00	0.94	0.93	0.90	0.88
	3	1.08	1.10	1.05	1.05	1.00	1.00	0.97	0.97	0.94	0.93
	4	1.07	1.09	1.05	1.04	1.00	1.00	0.97	0.97	0.94	0.93
	5	1.02	1.03	1.01	1.01	1.00	1.00	0.99	0.98	0.97	0.96
SFC 26025	1	1.13	1.17	1.07	1.09	1.00	1.00	0.95	0.94	0.89	0.87
	2	1.07	1.09	1.05	1.04	1.00	1.00	0.96	0.95	0.92	0.91
	3	1.05	1.04	1.02	1.02	1.00	1.00	0.98	0.98	0.95	0.94
	4	1.05	1.05	1.02	1.03	1.00	1.00	0.98	0.98	0.96	0.95
	5	1.03	1.03	1.02	1.02	1.00	1.00	0.99	0.98	0.97	0.96
SFC 26030	1	1.14	1.18	1.09	1.11	1.00	1.00	0.94	0.93	0.87	0.85
	2	1.09	1.11	1.05	1.06	1.00	1.00	0.97	0.97	0.93	0.92
	3	1.05	1.06	1.05	1.04	1.00	1.00	0.98	0.98	0.96	0.95
	4	1.05	1.04	1.02	1.02	1.00	1.00	0.99	0.98	0.97	0.97
	5	1.05	1.04	1.01	1.01	1.00	1.00	0.99	0.99	0.99	0.98
SFC 26040	1	1.13	1.16	1.05	1.06	1.00	1.00	0.91	0.90	0.83	0.80
	2	1.07	1.09	1.05	1.04	1.00	1.00	0.96	0.95	0.91	0.90
	3	1.05	1.06	1.02	1.02	1.00	1.00	0.97	0.97	0.94	0.93
	4	1.03	1.03	1.02	1.02	1.00	1.00	0.97	0.97	0.95	0.94
	5	1.03	1.03	1.02	1.02	1.00	1.00	0.98	0.98	0.96	0.95
SFC 26050	1	1.13	1.16	1.07	1.09	1.00	1.00	0.97	0.96	0.91	0.90
	2	1.09	1.11	1.05	1.04	1.00	1.00	0.97	0.96	0.93	0.92
	3	1.05	1.05	1.02	1.02	1.00	1.00	0.97	0.97	0.94	0.93
	4	1.02	1.03	1.01	1.01	1.00	1.00	0.98	0.98	0.97	0.96
	5	1.02	1.02	1.01	1.01	1.00	1.00	0.98	0.98	0.96	0.95
SFC 26055	1	1.14	1.18	1.08	1.11	1.00	1.00	0.95	0.94	0.89	0.87
	2	1.09	1.11	1.05	1.06	1.00	1.00	0.97	0.97	0.94	0.93
	3	1.05	1.05	1.01	1.01	1.00	1.00	0.97	0.96	0.94	0.93
	4	1.03	1.03	1.02	1.02	1.00	1.00	0.99	0.98	0.97	0.96
	5	1.02	1.03	1.02	1.02	1.00	1.00	0.99	0.99	0.97	0.96
SFC 26060	1	1.09	1.11	1.05	1.06	1.00	1.00	0.95	0.94	0.90	0.88
	2	1.07	1.09	1.03	1.03	1.00	1.00	0.98	0.98	0.94	0.93
	3	1.03	1.03	1.02	1.02	1.00	1.00	0.97	0.97	0.94	0.93
	4	1.03	1.03	1.01	1.01	1.00	1.00	0.99	0.98	0.96	0.95
	5	1.05	1.04	1.02	1.02	1.00	1.00	0.99	0.98	0.97	0.97

- A) Cooling correction factors to be applied to cooling capacities to provide duty for the required ESP condition.
 B) For alternative ESP conditions please contact Smith's Environmental Systems Ltd.

Aegean SFC 260H



A range of fan coil units suitable for all kinds of commercial applications, from restaurants and hotels to office developments, with the ability to rapidly heat and cool large areas with much greater efficiency than other similar heating and cooling systems

Acoustic Data

Unit Model	Fan speed	Octave Band Mid Frequency (Hz)											
		63	125	250	500	1k	2k	4k	8k	NR guide			
SFC 26010	1	Inlet & Casing	48	46	46	43	36	30	22	20	40		
		Discharge	46	40	39	40	37	24	16	15	38		
	2	Inlet & Casing	49	48	48	46	39	34	26	22	43		
		Discharge	47	42	42	42	41	28	21	19	42		
	3	Inlet & Casing	51	50	50	49	42	38	31	24	47		
		Discharge	48	44	44	45	44	32	26	23	45		
	4	Inlet & Casing	52	52	52	52	46	42	35	26	50		
		Discharge	49	47	47	48	48	36	31	26	49		
	5	Inlet & Casing	53	54	55	56	49	45	39	28	53		
		Discharge	50	49	49	51	51	40	36	30	52		
	SFC 26020	1	Inlet & Casing	50	48	48	45	39	34	27	25	43	
			Discharge	47	42	42	42	40	29	22	20	41	
		2	Inlet & Casing	51	50	50	48	42	38	31	27	46	
			Discharge	49	44	44	45	43	32	26	24	44	
		3	Inlet & Casing	52	52	52	51	45	41	35	29	49	
			Discharge	50	46	46	47	46	36	30	27	47	
		4	Inlet & Casing	53	54	54	54	48	44	39	31	52	
			Discharge	51	49	49	50	50	39	35	31	50	
		5	Inlet & Casing	54	55	56	57	51	48	42	33	55	
			Discharge	52	51	51	52	53	43	39	34	53	
SFC 26025		1	Inlet & Casing	54	53	52	50	46	43	37	36	49	
			Discharge	51	47	47	47	46	37	32	32	46	
		2	Inlet & Casing	55	54	54	53	48	45	40	38	51	
			Discharge	52	49	49	49	48	40	36	34	49	
		3	Inlet & Casing	56	55	55	55	51	48	43	39	53	
			Discharge	53	51	50	51	51	43	39	37	51	
		4	Inlet & Casing	57	57	57	57	53	50	46	41	55	
			Discharge	54	52	52	53	53	46	42	40	54	
		5	Inlet & Casing	57	58	59	59	55	53	49	42	58	
			Discharge	55	54	54	55	56	48	46	42	56	
	SFC 26030	1	Inlet & Casing	56	55	54	53	49	47	43	42	52	
			Discharge	53	50	49	50	48	42	38	37	49	
		2	Inlet & Casing	56	56	56	55	51	49	45	43	53	
			Discharge	54	51	51	51	51	44	41	39	51	
		3	Inlet & Casing	57	57	57	57	53	51	47	44	55	
			Discharge	55	53	53	53	53	47	44	42	53	
		4	Inlet & Casing	58	58	58	58	55	53	50	45	57	
			Discharge	56	54	54	55	55	49	46	44	55	
		5	Inlet & Casing	59	59	60	60	57	55	52	47	59	
			Discharge	57	56	56	57	57	51	49	47	57	
SFC 26040		1	Inlet & Casing	57	57	57	55	53	51	48	47	54	
			Discharge	54	52	52	52	51	46	43	43	51	
		2	Inlet & Casing	58	58	58	57	54	52	50	48	56	
			Discharge	55	53	53	54	53	48	46	45	53	
		3	Inlet & Casing	59	59	59	58	56	54	52	49	57	
			Discharge	56	55	55	55	55	50	48	47	55	
		4	Inlet & Casing	60	60	60	60	57	56	53	50	59	
			Discharge	57	56	56	57	57	52	50	49	57	
		5	Inlet & Casing	60	61	61	62	59	58	55	51	61	
			Discharge	58	58	58	58	59	54	53	51	59	
	SFC 26050	1	Inlet & Casing	61	61	61	60	60	59	58	58	60	
			Discharge	58	57	57	57	57	55	54	54	57	
		2	Inlet & Casing	62	62	62	61	60	60	59	58	61	
			Discharge	59	58	58	58	58	56	55	55	58	
		3	Inlet & Casing	62	62	62	62	61	61	60	59	62	
			Discharge	59	59	59	59	59	57	57	56	59	
		4	Inlet & Casing	63	63	63	63	62	62	61	60	63	
			Discharge	60	60	60	60	60	59	58	57	60	
		5	Inlet & Casing	64	64	64	64	63	63	62	61	64	
			Discharge	61	61	61	61	61	60	59	59	61	
SFC 26055		1	Inlet & Casing	63	63	63	63	63	63	63	63	63	
			Discharge	59	59	59	59	59	59	59	59	59	
		2	Inlet & Casing	64	64	64	64	64	64	64	64	64	
			Discharge	60	60	60	60	60	60	60	60	60	
		3	Inlet & Casing	64	64	64	64	64	64	64	64	64	
			Discharge	61	61	61	61	61	61	61	61	61	
		4	Inlet & Casing	65	65	65	65	65	65	65	65	65	
			Discharge	62	62	62	62	62	62	62	62	62	
		5	Inlet & Casing	65	65	65	65	65	65	65	65	65	
			Discharge	63	63	63	63	63	63	63	63	63	
	SFC 26060	1	Inlet & Casing	65	65	65	66	66	67	68	68	66	
			Discharge	61	62	62	62	62	64	65	65	62	
		2	Inlet & Casing	65	65	65	66	67	67	68	69	66	
			Discharge	62	62	63	62	63	64	65	65	63	
		3	Inlet & Casing	66	66	66	66	67	67	68	69	66	
			Discharge	63	63	63	63	63	65	65	66	63	
		4	Inlet & Casing	66	66	66	66	67	67	68	69	66	
			Discharge	64	64	64	64	64	65	66	66	64	
		5	Inlet & Casing	67	67	66	66	67	68	68	70	67	
			Discharge	64	65	65	64	64	66	66	67	64	

- A) The acoustic data provides is based on an ESP of 30 Pa.
 - B) Inlet & casing figures are sound power levels (SWL DB ref 10⁻¹² W).
- The following factors have been applied to the discharge sound spectrum state to allow for ductwork, plenum and grille:

63	125	250	500	1k	2k	4k	8k	(Hz)
-5	-5	-5	-9	-12	-12	-12	-3	(dB)

- (Add factors back into discharge spectrum to return to sound power levels)
- C) NR figures are for guide purposes only and cannot relate to every given application. We recommend that the advice of an acoustic engineer is sought on individual projects in order to obtain accurate NR levels for a given space.
- D) Consideration must be given to spigot connection number and dimensions in order to achieve acceptable air velocities (2.5m/s or below). This includes connected ductwork as increased velocity will in turn increase sound levels.

Aegean SFC 260H

A range of fan coil units suitable for all kinds of commercial applications, from restaurants and hotels to office developments, with the ability to rapidly heat and cool large areas with much greater efficiency than other similar heating and cooling systems

Air volumes

Unit Model	Fan speed	Air Volume l/s V's ESP				
		10 Pa	20 Pa	30 Pa	40 Pa	50 Pa
SFC 26010	1	66	61	55	44	N/A
	2	93	84	81	76	72
	3	108	104	98	94	90
	4	130	126	122	117	112
	5	157	154	150	146	142
SFC 26020	1	73	69	61	48	N/A
	2	97	92	89	82	76
	3	122	116	108	104	98
	4	148	142	134	128	122
	5	172	169	166	162	158
SFC 26025	1	130	117	105	98	87
	2	176	167	158	148	140
	3	218	211	205	198	191
	4	275	265	256	248	240
	5	314	308	300	295	284
SFC 26030	1	140	126	111	102	90
	2	192	180	167	160	150
	3	238	230	218	212	204
	4	294	287	278	273	268
	5	340	330	324	320	316
SFC 26040	1	202	185	170	150	130
	2	264	252	238	223	210
	3	350	336	325	312	298
	4	411	400	390	376	364
	5	451	442	430	418	406
SFC 26050	1	240	220	198	188	172
	2	313	285	269	255	243
	3	394	380	369	354	340
	4	462	454	444	432	422
	5	534	528	520	505	490
SFC 26055	1	270	243	215	200	178
	2	370	346	320	308	290
	3	455	435	425	402	386
	4	540	530	514	502	490
	5	632	622	605	600	575
SFC 26060	1	332	315	290	270	245
	2	450	432	410	398	376
	3	559	543	530	510	490
	4	665	650	635	620	600
	5	740	722	700	688	670



Power input and starting/running currents

Model (kW)	Number of fans	Watts	Max. starting current (Amps)	Max. running current (Amps)
SFC 26010	1	65	0.5	0.5
SFC 26020	1	65	0.5	0.5
SFC 26025	2	130	1	1
SFC 26030	2	130	1	1
SFC 26040	3	195	1.5	1.5
SFC 26050	3	195	1.5	1.5
SFC 26055	4	260	2	2
SFC 26060	5	325	2.5	2.5

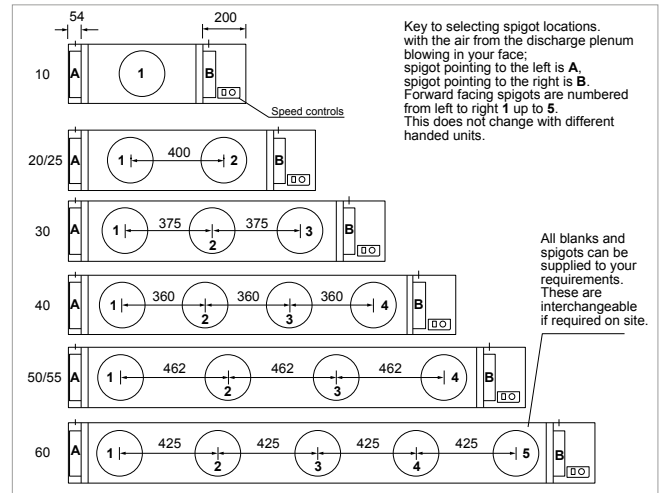
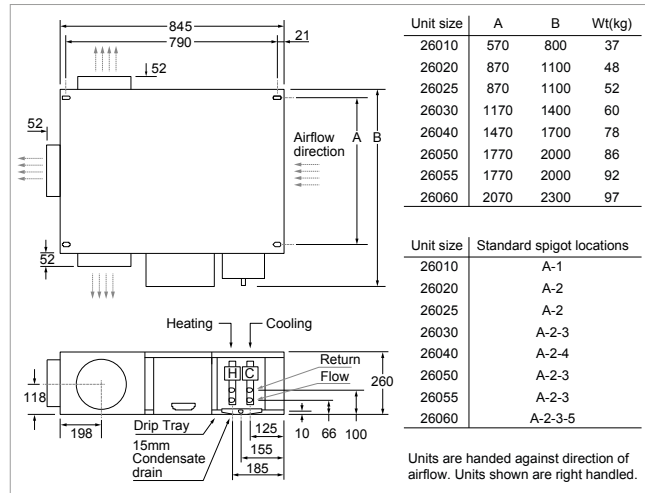
Based on 230V/50 supply and 30Pa ESP at maximum speed

- A) Refer to air volumes at 30 Pa ESP for cooling capacity charts
 B) Refer to appropriate ESP condition when applying correction factors to cooling capacity.

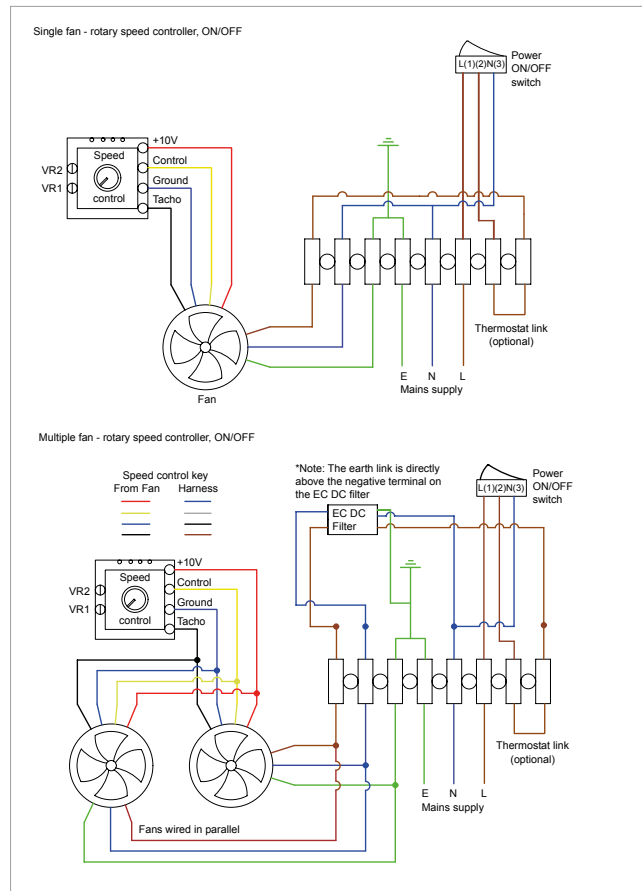
Aegean SFC 260H

A range of fan coil units suitable for all kinds of commercial applications, from restaurants and hotels to office developments, with the ability to rapidly heat and cool large areas with much greater efficiency than other similar heating and cooling systems

Dimensions



Electrical data - Wiring diagram



Ordering guide

Listed below are the basic models.

For all other variants please visit our website for the most up to date information.

Description	Weight (Kg)	Product code
Aegean SFC 260		
Aegean SFC260EC/10	41	HPAE20012
Aegean SFC260EC/20	52	HPAE20013
Aegean SFC260EC/25	56	HPAE20014
Aegean SFC260EC/30	66	HPAE20015
Aegean SFC260EC/40	82	HPAE20016
Aegean SFC260EC/50	93	HPAE20017
Aegean SFC260EC/55	97	HPAE20018
Aegean SFC260EC/60	105	HPAE20019

For bespoke specifications, including electric heating capability please contact us to discuss your requirements

As part our commitment to continuous improvement Smith's Environmental Products may change the specifications of its products without prior notification or public announcement. All descriptions, illustrations, drawings and specifications in this publication present only general particulars and shall not form part of any contract. All dimensions are in mm unless otherwise stated.