

# Caspian UVC

The Caspian UVC fan convector was developed for recessed or concealed heating projects and is suitable for high, low or ceiling concealed installations, can even be turned upside down



## Features

- Compatible with all types of wet central heating systems and any commercial or domestic air source heat pump project, the Caspian UVC has four different main accessories. They function together in any combination to create the recessed or concealed heating solution required, depending on the project specification
- AC motor models are available on request
- Caspian UVC is compatible with most types of wet central heating systems, functioning equally efficiently with conventional boilers, biomass technology or ground or air source heat pumps

## Applications

- Education
- Healthcare
- Places of worship
- Leisure and sport
- Office
- Hospitality
- Retail
- Showroom
- Industrial

## Installation

Suitable for two-pipe central heating systems  
Unit must be earthed  
Maximum installation height 4m to underside

## Commissioning

Check water is hot enough to activate the low temperature cut-out thermostat

## Controls

Variable heat output controller (mounted within the products)

## Attachments

White powder-coated steel inlet/outlet grille  
Anodised aluminium air inlet/outlet grille  
90°C cranked air inlet/outlet duct  
1m adjustable straight air inlet/outlet extension duct  
Circular spigot air inlet/outlet duct

## Specification

To specify state:

A concealed fan convector for universal mounting with variable heat output controller.

As Smith's Caspian UVC 60/90/120/150/180.

## Attachments



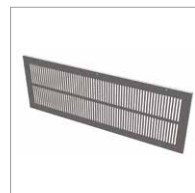
90° cranked air inlet/outlet



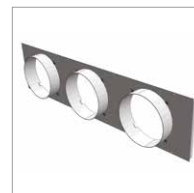
1m adjustable straight air inlet/outlet extension duct



Anodised aluminium inlet/outlet grille



Powder-coated steel inlet/outlet grille



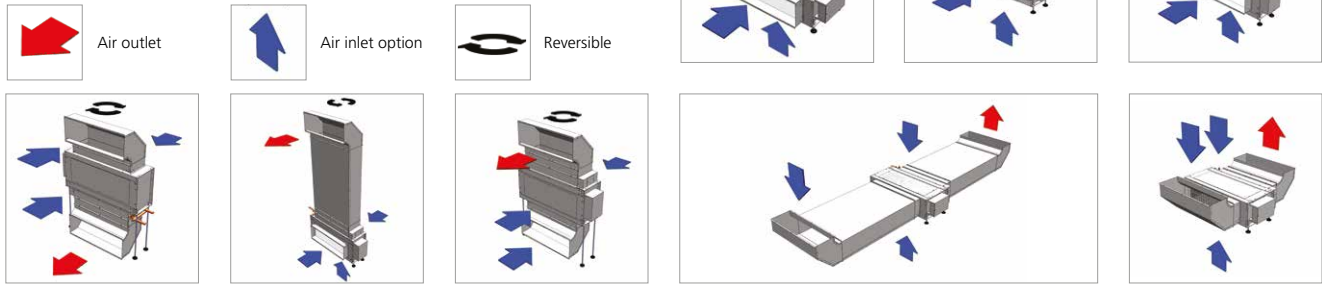
Circular spigot inlet/outlet grille

# Caspian UVC

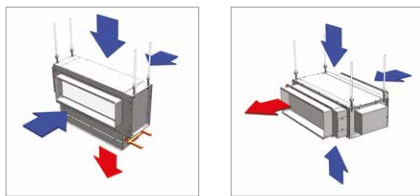
The Caspian UVC fan convector was developed for recessed or concealed heating projects and is suitable for high, low or ceiling concealed installations, can even be turned upside down

## Floor mounted application

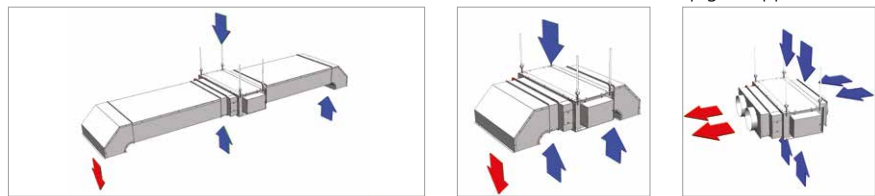
The Caspian UVC can be installed either on or behind walls at high and low level, in ceiling voids and on or under floors. Detailed below are a number of application options than can be achieved with the Caspian UVC and Accessories. If in doubt please contact us.



Suspended with ducts application



Suspended with spigots application



## Heat output

Model	Heat Output at 80°			Heat Output at 75°			Heat Output at 70°			Heat Output at 65°			Heat Output at 60°		
	Low (kW)	Medium (kW)	High (kW)	Low (kW)	Medium (kW)	High (kW)	Low (kW)	Medium (kW)	High (kW)	Low (kW)	Medium (kW)	High (kW)	Low (kW)	Medium (kW)	High (kW)
Caspian 60	3.2	4.4	5.9	2.9	4.1	5.3	2.6	3.7	4.8	2.3	3.2	4.2	2.0	2.8	3.6
Caspian 90	5.2	7.8	10.3	4.8	7.2	9.6	4.4	6.7	8.9	3.9	6.0	8.0	3.5	5.3	7.1
Caspian 120	6.7	10.7	14.5	6.1	9.7	13.2	5.6	8.7	11.9	4.9	7.7	10.6	4.1	6.8	9.4
Caspian 150	14.8	15.4	16.2	13.7	14.2	15.2	12.5	13.1	14.0	11.3	11.9	12.8	9.9	10.8	11.6
Caspian 180	17.2	18.2	19.2	16.2	17.0	18.0	14.9	15.7	16.7	13.6	14.4	15.4	12.4	13.3	14.1

Model	Heat Output at 55°			Heat Output at 50°			Heat Output at 45°			Heat Output at 40°		
	Low (kW)	Medium (kW)	High (kW)	Low (kW)	Medium (kW)	High (kW)	Low (kW)	Medium (kW)	High (kW)	Low (kW)	Medium (kW)	High (kW)
Caspian 60	1.7	2.4	3.1	1.4	2.0	2.5	1.1	1.5	1.9	0.8	1.0	1.2
Caspian 90	3.0	4.6	6.2	2.6	3.9	5.3	2.0	3.1	4.1	1.5	2.2	2.9
Caspian 120	3.4	5.8	8.1	2.7	4.8	6.9	2.0	3.7	5.4	1.3	2.6	3.9
Caspian 150	8.8	9.7	10.4	7.5	8.2	9.0	6.2	6.9	7.5	4.8	5.4	6.1
Caspian 180	11.3	12.0	12.8	9.8	10.5	11.2	8.4	9.1	9.4	6.6	7.3	7.8

Heat output testing based on BS EN442 using mean water temperature, 18°C entering air temperature, 10° temperature drop

# Caspian UVC

The Caspian UVC fan convector was developed for recessed or concealed heating projects and is suitable for high, low or ceiling concealed installations, can even be turned upside down

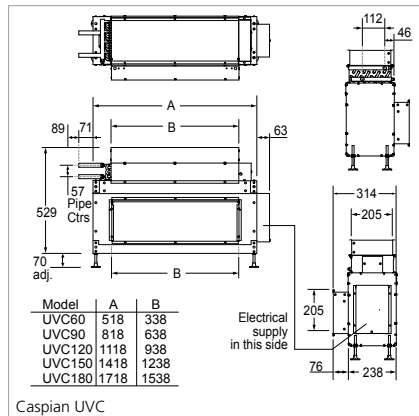
Model	Flow & return connections	Fused spur	Total Power Consumption			Water Capacity (Litres)	Sound Levels			Casting colour
			Low (Watts)	Medium (Watts)	High (Watts)		High (dBA)	Medium (dBA)	Low (dBA)	
Caspian 60	22mm	3A	8	24	40	0.92	50	42	33	white
Caspian 90	22mm	3A	15	43	70	1.50	53	42	34	white
Caspian 120	22mm	3A	13	62	110	2.08	58	46	35	white
Caspian 150	22mm	3A	20	144	177	2.58	59	47	36	white
Caspian 180	22mm	3A	26	124	220	3.18	59	48	38	white

Sound levels measured at 3m in front of the floor mounted model

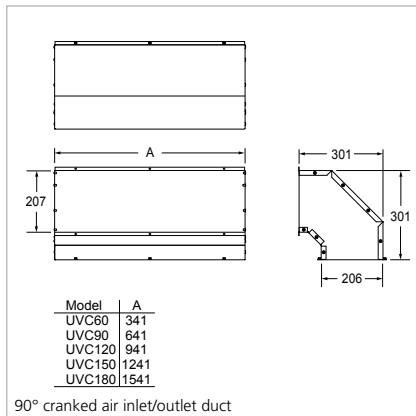
### Correction factors

EAT °C	Mean water temperature °C	
	80 to 40	
15	1.10	
21	0.93	

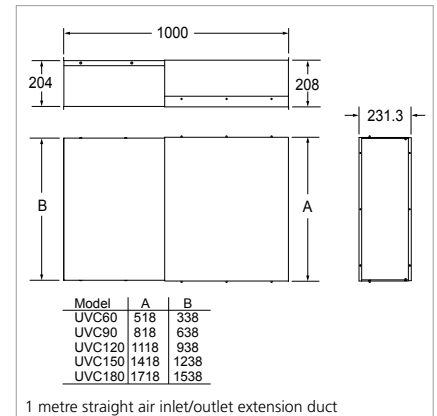
Factor	Temperature drop °C			
	20	15	10	5
Factor	0.89	0.95	1.00	1.04



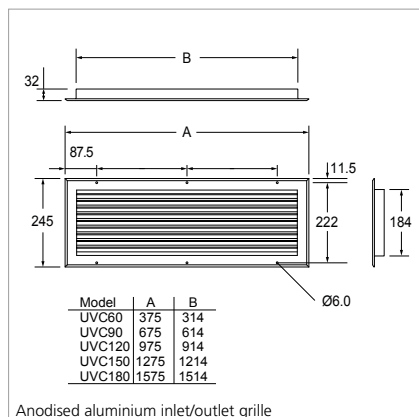
Caspian UVC



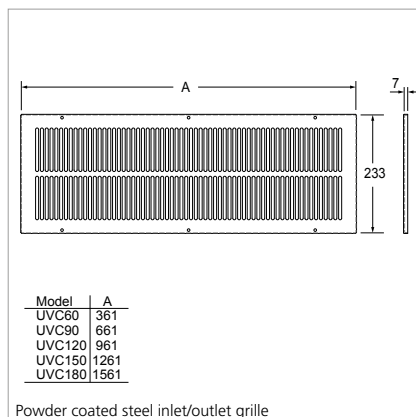
90° cranked air inlet/outlet duct



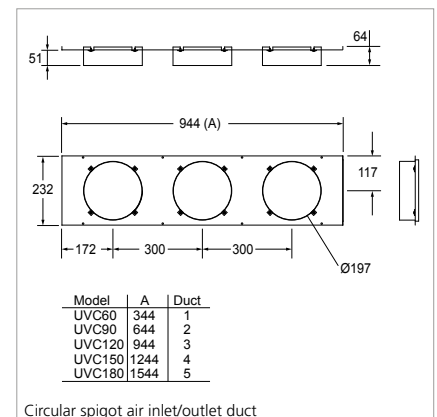
1 metre straight air inlet/outlet extension duct



Anodised aluminium inlet/outlet grille



Powder coated steel inlet/outlet grille



Circular spigot air inlet/outlet duct

# Caspian UVC



The Caspian UVC fan convector was developed for recessed or concealed heating projects and is suitable for high, low or ceiling concealed installations, can even be turned upside down

## Ordering guide

Model	Packed Wt (kg)	Product Codes
<b>AC Codes</b>		
Caspian UVC 60	23	HPCA27001
Caspian UVC 90	36	HPCA27002
Caspian UVC 120	45	HPCA27003
Caspian UVC 150	60	HPCA27004
Caspian UVC 180	78	HPCA27005
<b>EC Codes</b>		
Caspian UVC 60	23	HPCA26001
Caspian UVC 90	36	HPCA26002
Caspian UVC 120	45	HPCA26003
Caspian UVC 150	60	HPCA26004
Caspian UVC 180	78	HPCA26005

Accessories and attachments	Product Codes
Adjustable low temperature cut-out (all Caspian models)	HACA33001
Thermostat T1 (low level models with AC or EC Motors)	HACA33002
Thermostat T2 (low level models with AC Motors)	HACA33036
Thermostat (T1) & auto-speed Control (T2) (Low level models with AC motors)	HACA33003
External Control Harness (models with EC motors)	HHCA33004
Caspian EC linking kit (Alt to EXTCH)	HACA33068
Proportional Heat Output Controller (models with EC motors) 15°-25°C (low level only)	HACA33005
Proportional Heat Output Controller (models with EC motors) Remote Sensor 15°-25°C	HACA33037
Proportional Heat Output Controller (models with EC motors) 11°-21°C (low level only)	HACA33075
Proportional Heat Output Controller (models with EC motors) Remote Sensor 11°-21°C	HACA33076
Remote (Wired) Room Thermostat	HAGA95001
Remote (Wired) Room Thermostat Siemens	HACA33077
Remote (Wireless) Room Thermostat Siemens RF	HACA33074
Remote (Wired) Room Thermostat Siemens Tamper Proof	HAGA95004
Remote (Wired) Room Thermostat Siemens Speed and Temperature Control (EC only)	HACA33078
22mm flexible hoses (pair)	HAGA95003
90° cranked air inlet/outlet duct (to suit UVC 60)	HACA33011
90° cranked air inlet/outlet duct (to suit UVC 90)	HACA33012
90° cranked air inlet/outlet duct (to suit UVC 120)	HACA33013
90° cranked air inlet/outlet duct (to suit UVC 150)	HACA33014
90° cranked air inlet/outlet duct (to suit UVC 180)	HACA33015
1m adjustable straight air inlet/outlet extension duct (to suit UVC 60)	HACA33016
1m adjustable straight air inlet/outlet extension duct (to suit UVC 90)	HACA33017
1m adjustable straight air inlet/outlet extension duct (to suit UVC 120)	HACA33018
1m adjustable straight air inlet/outlet extension duct (to suit UVC 150)	HACA33019
1m adjustable straight air inlet/outlet extension duct (to suit UVC 180)	HACA33020
Circular spigot (200mm x 2) air inlet/outlet duct (to suit UVC 60)	HACA33021
Circular spigot (200mm x 2) air inlet/outlet duct (to suit UVC 90)	HACA33022
Circular spigot (200mm x 3) air inlet/outlet duct (to suit UVC 120)	HACA33023
Circular spigot (200mm x 4) air inlet/outlet duct (to suit UVC 150)	HACA33024
Circular spigot (200mm x 5) air inlet/outlet duct (to suit UVC 180)	HACA33025
Powder-coated White steel inlet/outlet grille (to suit UVC 60)	HACA33026
Powder-coated White steel inlet/outlet grille (to suit UVC 90)	HACA33027
Powder-coated White steel inlet/outlet grille (to suit UVC 120)	HACA33028
Powder-coated White steel inlet/outlet grille (to suit UVC 150)	HACA33029
Powder-coated White steel inlet/outlet grille (to suit UVC 180)	HACA33030
Anodised aluminium inlet/outlet grille (to suit UVC 60)	HACA33031
Anodised aluminium inlet/outlet grille (to suit UVC 90)	HACA33032
Anodised aluminium inlet/outlet grille (to suit UVC 120)	HACA33033
Anodised aluminium inlet/outlet grille (to suit UVC 150)	HACA33034
Anodised aluminium inlet/outlet grille (to suit UVC 180)	HACA33035

As part our commitment to continuous improvement Smith's Environmental Products may change the specifications of its products without prior notification or public announcement. All descriptions, illustrations, drawings and specifications in this publication present only general particulars and shall not form part of any contract. All dimensions are in mm unless otherwise stated.