

Caspian® UVC

The Caspian UVC fan convector was developed for recessed or concealed heating projects and is suitable for high, low or ceiling concealed installations, can even be turned upside down



Features

- Compatible with all types of wet central heating systems and any commercial or domestic air source heat pump project, the Caspian UVC has four different main accessories. They function together in any combination to create the recessed or concealed heating solution required, depending on the project specification
- AC motor models are available on request
- Caspian UVC is compatible with most types of wet central heating systems, functioning equally efficiently with conventional boilers, biomass technology or ground or air source heat pumps

Applications

- Education
- Healthcare
- Places of worship
- Leisure and sport
- Office
- Hospitality
- Retail
- Showroom
- Industrial

Installation

Suitable for two-pipe central heating systems
Unit must be earthed
Maximum installation height 4m to underside

Commissioning

Check water is hot enough to activate the low temperature cut-out thermostat

Controls

Variable heat output controller (mounted within the products)

Attachments

White powder-coated steel inlet/outlet grille
Anodised aluminium air inlet/outlet grille
90°C cranked air inlet/outlet duct
1m adjustable straight air inlet/outlet extension duct
Circular spigot air inlet/outlet duct

Specification

To specify state:
A concealed fan convector for universal mounting with variable heat output controller.
As Smith's Caspian UVC 60/90/120/150/180.

Attachments



90° cranked air inlet/outlet



1m adjustable straight air inlet/outlet extension duct



Anodised aluminium inlet/outlet grille



Powder-coated steel inlet/outlet grille



Circular spigot inlet/outlet

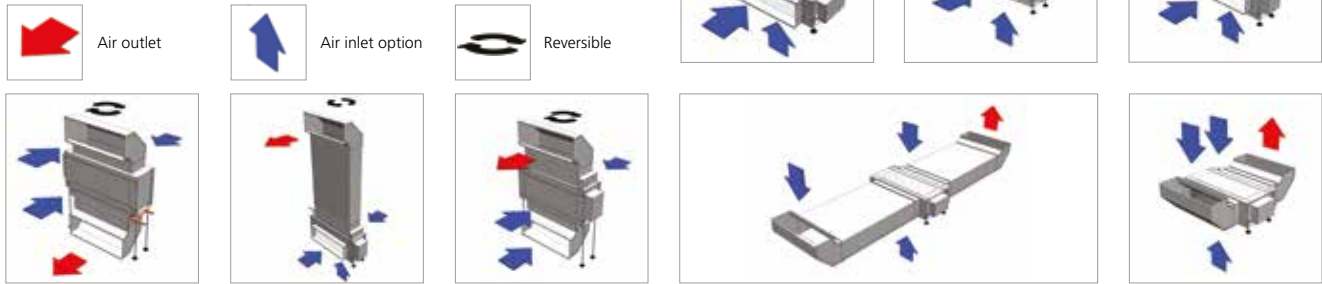
Caspian® UVC



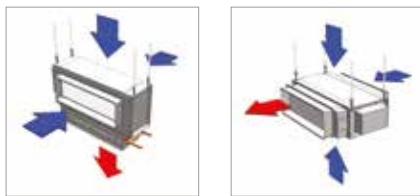
The Caspian UVC fan convector was developed for recessed or concealed heating projects and is suitable for high, low or ceiling concealed installations, can even be turned upside down

Floor mounted application

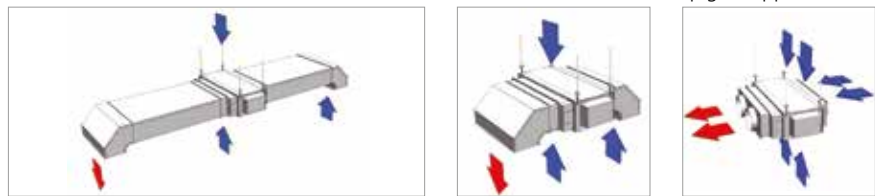
The Caspian UVC can be installed either on or behind walls at high and low level, in ceiling voids and on or under floors. Detailed below are a number of application options that can be achieved with the Caspian UVC and Accessories. If in doubt please contact us.



Suspended with ducts application



Suspended with spigots application



Heat output

Model	Heat Output at 80°			Heat Output at 75°			Heat Output at 70°			Heat Output at 65°			Heat Output at 60°		
	Low (kW)	Medium (kW)	High (kW)	Low (kW)	Medium (kW)	High (kW)	Low (kW)	Medium (kW)	High (kW)	Low (kW)	Medium (kW)	High (kW)	Low (kW)	Medium (kW)	High (kW)
CASPIAN UVC 60	3.2	4.4	5.9	2.9	4.1	5.3	2.6	3.7	4.8	2.3	3.2	4.2	2.0	2.8	3.6
CASPIAN UVC 90	5.2	7.8	10.3	4.8	7.2	9.6	4.4	6.7	8.9	3.9	6.0	8.0	3.5	5.3	7.1
CASPIAN UVC 120	6.7	10.7	14.5	6.1	9.7	13.2	5.6	8.7	11.9	4.9	7.7	10.6	4.1	6.8	9.4
CASPIAN UVC 150	14.8	15.4	16.2	13.7	14.2	15.2	12.5	13.1	14.0	11.3	11.9	12.8	9.9	10.8	11.6
CASPIAN UVC 180	17.2	18.2	19.2	16.2	17.0	18.0	14.9	15.7	16.7	13.6	14.4	15.4	12.4	13.3	14.1

Model	Heat Output at 55°			Heat Output at 50°			Heat Output at 45°			Heat Output at 40°		
	Low (kW)	Medium (kW)	High (kW)	Low (kW)	Medium (kW)	High (kW)	Low (kW)	Medium (kW)	High (kW)	Low (kW)	Medium (kW)	High (kW)
CASPIAN UVC 60	1.7	2.4	3.1	1.4	2.0	2.5	1.1	1.5	1.9	0.8	1.0	1.2
CASPIAN UVC 90	3.0	4.6	6.2	2.6	3.9	5.3	2.0	3.1	4.1	1.5	2.2	2.9
CASPIAN UVC 120	3.4	5.8	8.1	2.7	4.8	6.9	2.0	3.7	5.4	1.3	2.6	3.9
CASPIAN UVC 150	8.8	9.7	10.4	7.5	8.2	9.0	6.2	6.9	7.5	4.8	5.4	6.1
CASPIAN UVC 180	11.3	12.0	12.8	9.8	10.5	11.2	8.4	9.1	9.4	6.6	7.3	7.8

Heat output testing based on BS EN442 using mean water temperature, 18°C entering air temperature, 10° temperature drop

Caspian® UVC



The Caspian UVC fan convector was developed for recessed or concealed heating projects and is suitable for high, low or ceiling concealed installations, can even be turned upside down

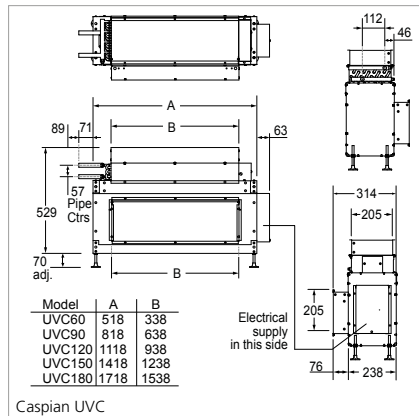
Model	Flow & return connections	Fused spur	Total Power Consumption				Sound Levels			Casting colour
			Low (Watts)	Medium (Watts)	High (Watts)	Water Capacity (Litres)	High (dBA)	Medium (dBA)	Low (dBA)	
CASPIAN UVC 60	22mm	3A	8	24	40	0.92	50	42	33	white
CASPIAN UVC 90	22mm	3A	15	43	70	1.50	53	42	34	white
CASPIAN UVC 120	22mm	3A	13	62	110	2.08	58	46	35	white
CASPIAN UVC 150	22mm	3A	20	144	177	2.58	59	47	36	white
CASPIAN UVC 180	22mm	3A	26	124	220	3.18	59	48	38	white

Sound levels measured at 3m in front of the floor mounted model

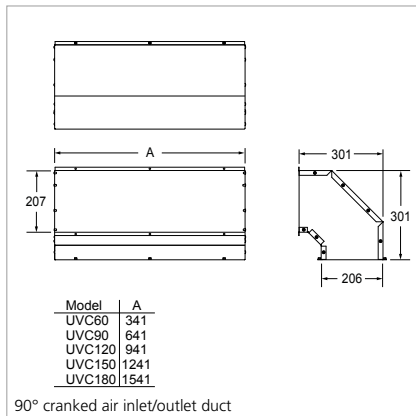
Correction factors

EAT °C	Mean water temperature °C	
	80 to 40	
15	1.10	
21	0.93	

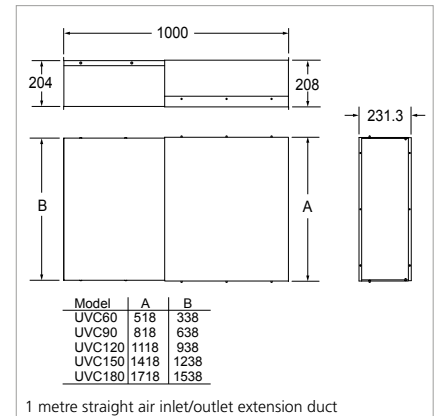
Factor	Temperature drop °C			
	20	15	10	5
Factor	0.89	0.95	1.00	1.04



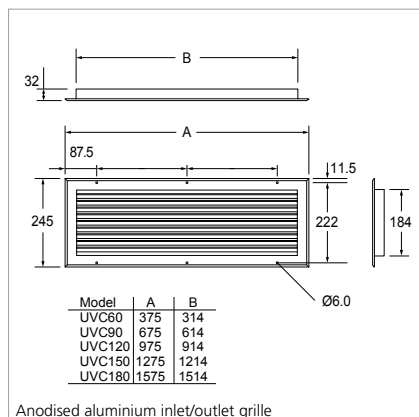
Caspian UVC



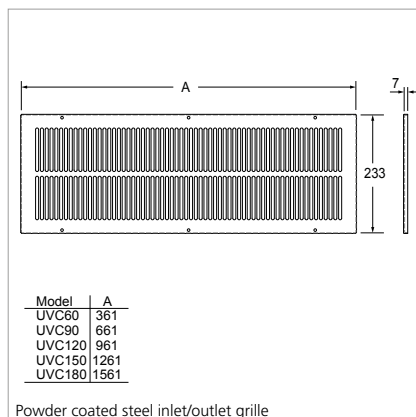
90° cranked air inlet/outlet duct



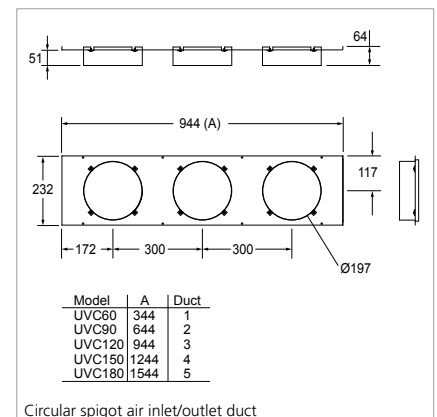
1 metre straight air inlet/outlet extension duct



Anodised aluminium inlet/outlet grille



Powder coated steel inlet/outlet grille



Circular spigot air inlet/outlet duct

Caspian® UVC



The Caspian UVC fan convector was developed for recessed or concealed heating projects and is suitable for high, low or ceiling concealed installations, can even be turned upside down

Ordering guide

Model	Packed Wt (kg)	Product Codes	Accessories and attachments	Product Codes
AC Codes			CASPIAN ADJUSTABLE LOW TEMPERATURE CUT-OUT (EC AND AC)	HACA33001
CASPIAN UVC 60 AC	23	HPCA27001	CASPIAN THERMOSTAT (T1 (EC LOW LEVEL)	HACA33002
CASPIAN UVC 90 AC	36	HPCA27002	CASPIAN THERMOSTAT (T2) (AC LOW LEVEL)	HACA33036
CASPIAN UVC 120 AC	45	HPCA27003	CASPIAN THERMOSTAT (T1) & AUTO-SPEED CONTROL (T2) (AC LOW LEVEL)	HACA33003
CASPIAN UVC 150 AC	60	HPCA27004	CASPIAN EXTERNAL CONTROL HARNESS (EC)	HACA33004
CASPIAN UVC 180 AC	78	HPCA27005	CASPIAN PROPORTIONAL HEAT OUTPUT CONTROLLER 15°-25°C INTEGRAL (EC)	HACA33005
EC Codes			CASPIAN PROPORTIONAL HEAT OUTPUT CONTROLLER 15°-25°C REMOTE SENSOR (EC)	HACA33037
CASPIAN UVC 60 EC	23	HPCA26001	CASPIAN PROPORTIONAL HEAT OUTPUT CONTROLLER 11°-21°C INTEGRAL (EC)	HACA33117
CASPIAN UVC 90 EC	36	HPCA26002	CASPIAN PROPORTIONAL HEAT OUTPUT CONTROLLER 11°-21°C REMOTE SENSOR (EC)	HACA33118
CASPIAN UVC 120 EC	45	HPCA26003	ROOM THERMOSTAT HARD WIRED	HAGA95001
CASPIAN UVC 150 EC	60	HPCA26004	ROOM THERMOSTAT HARD WIRED SIEMENS	HACA33104
CASPIAN UVC 180 EC	78	HPCA26005	ROOM THERMOSTAT RF SIEMENS	HACA33074
			ROOM THERMOSTAT TAMPER PROOF SIEMENS	HACA95004
			FLEXIBLE HOSES 22MM PAIR	HAGA95003
			CASPIAN UVC 60 90° CRANKED AIR INLET/OUTLET DUCT	HACA33011
			CASPIAN UVC 90 90° CRANKED AIR INLET/OUTLET DUCT	HACA33012
			CASPIAN UVC 120 90° CRANKED AIR INLET/OUTLET DUCT	HACA33013
			CASPIAN UVC 150 90° CRANKED AIR INLET/OUTLET DUCT	HACA33014
			CASPIAN UVC 180 90° CRANKED AIR INLET/OUTLET DUCT	HACA33015
			CASPIAN UVC 60 1M ADJUSTABLE STRAIGHT AIR INLET/OUTLET EXTENSION DUCT	HACA33016
			CASPIAN UVC 90 1M ADJUSTABLE STRAIGHT AIR INLET/OUTLET EXTENSION DUCT	HACA33017
			CASPIAN UVC 120 1M ADJUSTABLE STRAIGHT AIR INLET/OUTLET EXTENSION DUCT	HACA33018
			CASPIAN UVC 150 1M ADJUSTABLE STRAIGHT AIR INLET/OUTLET EXTENSION DUCT	HACA33019
			CASPIAN UVC 180 1M ADJUSTABLE STRAIGHT AIR INLET/OUTLET EXTENSION DUCT	HACA33020
			CASPIAN UVC 60 CIRCULAR SPIGOT (200MM X 2) AIR INLET/OUTLET DUCT	HACA33021
			CASPIAN UVC 90 CIRCULAR SPIGOT (200MM X 2) AIR INLET/OUTLET DUCT	HACA33022
			CASPIAN UVC 120 CIRCULAR SPIGOT (200MM X 3) AIR INLET/OUTLET DUCT	HACA33023
			CASPIAN UVC 150 CIRCULAR SPIGOT (200MM X 4) AIR INLET/OUTLET DUCT	HACA33024
			CASPIAN UVC 180 CIRCULAR SPIGOT (200MM X 5) AIR INLET/OUTLET DUCT	HACA33025
			CASPIAN UVC 60 INLET/OUTLET GRILLE POWDER-COATED WHITE	HACA33026
			CASPIAN UVC 90 INLET/OUTLET GRILLE POWDER-COATED WHITE	HACA33027
			CASPIAN UVC 120 INLET/OUTLET GRILLE POWDER-COATED WHITE	HACA33028
			CASPIAN UVC 150 INLET/OUTLET GRILLE POWDER-COATED WHITE	HACA33029
			CASPIAN UVC 180 INLET/OUTLET GRILLE POWDER-COATED WHITE	HACA33030
			CASPIAN UVC 60 INLET/OUTLET GRILLE ANODISED ALUMINIUM	HACA33031
			CASPIAN UVC 90 INLET/OUTLET GRILLE ANODISED ALUMINIUM	HACA33032
			CASPIAN UVC 120 INLET/OUTLET GRILLE ANODISED ALUMINIUM	HACA33033
			CASPIAN UVC 150 INLET/OUTLET GRILLE ANODISED ALUMINIUM	HACA33034
			CASPIAN UVC 180 INLET/OUTLET GRILLE ANODISED ALUMINIUM	HACA33035

As part our commitment to continuous improvement Smith's Environmental Products may change the specifications of its products without prior notification or public announcement. All descriptions, illustrations, drawings and specifications in this publication present only general particulars and shall not form part of any contract. All dimensions are in mm unless otherwise stated.