

# Ecovector® Low

Ecovector Low Level fan convectors provide warmth from the floor upwards and are more energy efficient and effective than radiators



## Features

- The Ecovector can heat up a room more quickly than radiators, thereby reducing the amount of time your boiler or heat pump is running - making it extremely efficient and cost effective
- Compatible with most types of wet central heating systems, functioning equally efficiently with conventional boilers, biomass technology or ground or air source heat pumps
- Ideal for new and existing developments, due to ease of installation, the Ecovector is available in a range of models to suit varying room sizes and heat output requirements
- Supplied as standard in white but casing can be supplied in any colour

## Applications

- Education
- Healthcare
- Places of worship
- Leisure and sport
- Office
- Hospitality
- Retail
- Showroom
- Industrial
- Residential

## Motor

AC only

## Finish

Front casing: zinc-coated steel.  
Polyester powder-coated RAL 9010  
Side panels: polymer eggshell white

## Installation

Mounting bracket supplied  
Unit must be earthed  
Suitable for two-pipe central heating systems  
Minimum height above floor level 150mm  
Maximum height above floor level 500mm

## Commissioning

Check water is hot enough to activate the selectable low temperature cut-out thermostat

## Control

Rocker switch - normal/off/boost  
Built-in room thermostat  
Low temperature cut-out thermostat set to energise fan at approximately 35°C

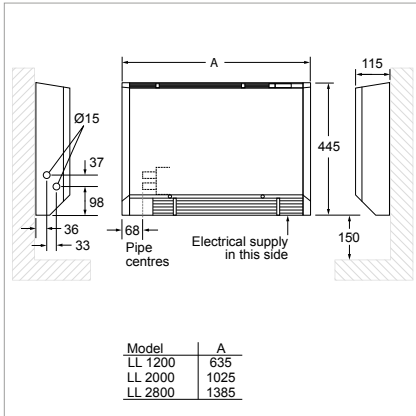
## Specification

To specify state:  
Low level hydronic fan convector in white.  
As Smith's Ecovector Low LL1200/LL2000/LL2800

# Ecovector® Low



Ecovector Low Level fan convectors provide warmth from the floor upwards and are more energy efficient and effective than radiators



## Heat output

| Model             | Room size guide* (m <sup>2</sup> ) | Heat Output at 80° |            | Heat Output at 75° |            | Heat Output at 70° |            | Heat Output at 65° |            | Heat Output at 60° |            |
|-------------------|------------------------------------|--------------------|------------|--------------------|------------|--------------------|------------|--------------------|------------|--------------------|------------|
|                   |                                    | Normal (kW)        | Boost (kW) | Normal (kW)        | Boost (kW) | Normal (kW)        | Boost (kW) | Normal (kW)        | Boost (kW) | Normal (kW)        | Boost (kW) |
| Ecovector LL 1200 | 34                                 | 1.2                | 1.6        | 1.1                | 1.4        | 1.0                | 1.3        | 0.9                | 1.1        | 0.8                | 1.0        |
| Ecovector LL 2000 | 57                                 | 2.0                | 2.6        | 1.9                | 2.4        | 1.6                | 2.2        | 1.5                | 1.9        | 1.3                | 1.7        |
| Ecovector LL 2800 | 80                                 | 2.8                | 3.5        | 2.6                | 3.2        | 2.3                | 2.9        | 2.0                | 2.6        | 1.9                | 2.4        |

| Model             | Room size guide* (m <sup>2</sup> ) | Heat Output at 55° |             | Heat Output at 50° |             | Heat Output at 45° |             | Heat Output at 40° |             |
|-------------------|------------------------------------|--------------------|-------------|--------------------|-------------|--------------------|-------------|--------------------|-------------|
|                   |                                    | Low (kW)           | Medium (kW) | Low (kW)           | Medium (kW) | Low (kW)           | Medium (kW) | Low (kW)           | Medium (kW) |
| Ecovector LL 1200 | 34                                 | 0.7                | 0.8         | 0.6                | 0.7         | 0.5                | 0.6         | 0.4                | 0.5         |
| Ecovector LL 2000 | 57                                 | 1.2                | 1.6         | 1.0                | 1.3         | 0.9                | 1.1         | 0.7                | 0.8         |
| Ecovector LL 2800 | 80                                 | 1.9                | 2.1         | 1.3                | 1.8         | 1.2                | 1.5         | 1.0                | 1.2         |

| Model             | Flow & return connections | Mains cable | Transformer | Fused spur | Total Power Consumption |               | Water Capacity (Litres) | Sound Levels |             | Casting colour | Fan-only |
|-------------------|---------------------------|-------------|-------------|------------|-------------------------|---------------|-------------------------|--------------|-------------|----------------|----------|
|                   |                           |             |             |            | Normal (Watts)          | Boost (Watts) |                         | Normal (dBA) | Boost (dBA) |                |          |
| Ecovector LL 1200 | 15mm                      | 1.5m        | n/a         | 3A         | 17                      | 21            | 0.29                    | 32           | 38          | white          | n/a      |
| Ecovector LL 2000 | 15mm                      | 1.5m        | n/a         | 3A         | 26                      | 55            | 0.58                    | 35           | 40          | white          | n/a      |
| Ecovector LL 2800 | 15mm                      | 1.5m        | n/a         | 3A         | 43                      | 76            | 0.83                    | 37           | 42          | white          | n/a      |

\*Room sizes given in cubic metres for general guidance only based on normal heat output (80°C) for domestic applications - always calculate heat losses. Heat outputs tested in accordance with BS4856 using entering water temperature and 340 l/h (75gph) flow rate. Fan-only option operational only when central heating system is switched off. Sound levels measured at 1.5m.

## Ordering guide

| Model             | Packed Wt (kg) | Product Codes |
|-------------------|----------------|---------------|
| Ecovector LL 1200 | 12             | HPEV50001     |
| Ecovector LL 2000 | 17             | HPEV50002     |
| Ecovector LL 2800 | 24             | HPEV50003     |

As part our commitment to continuous improvement Smith's Environmental Products may change the specifications of its products without prior notification or public announcement. All descriptions, illustrations, drawings and specifications in this publication present only general particulars and shall not form part of any contract. All dimensions are in mm unless otherwise stated.