

Eco-Powerad®

The Eco-Powerad is the fan convector of the future - energy efficient, responsive and suitable for installation within most wet central heating systems, driven by either boilers or low temperature renewable technology



Features

- Compact, with smooth lines to achieve visual simplicity, the Eco-Powerad also features low surface temperature casing for complete safety and possesses a very low operating sound - between 28 and 32 decibels
- Compatible with most types of wet central heating systems, functioning equally efficiently with conventional boilers, biomass technology or ground or air source heat pumps
- Supplied as standard in white but casing can be supplied in any colour

Applications

- Education
- Healthcare
- Places of worship
- Leisure and sport
- Office
- Hospitality
- Retail
- Showroom
- Industrial
- Residential

Motor

AC only

Finish

Front casing: zinc coated steel
Polyester powder-coated RAL 9010

Installation

Mounting bracket supplied
Unit must be earthed
Suitable for two-pipe central heating systems
Minimum height above floor level 150mm
Maximum height above floor level 500mm

Commissioning

Check water is hot enough to activate the low temperature cut-out thermostat. Ensure system is balanced for even heat distribution

Control

Low temperature cut-out thermostat, set to energise fan at approximately 35°C
Suitable for thermostatic radiator valves (TRV) - not supplied
Rocker switch - normal/low

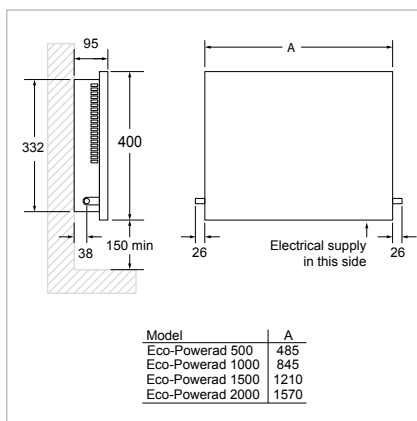
Specification

To specify state:
Wall mounted hydronic heat emitter with fan and low temperature cut-out.
As Smith's Eco-Powerad 500/1000/1500/2000

Eco-Powerad®



The Eco-Powerad is the fan convector of the future - energy efficient, responsive and suitable for installation within most wet central heating systems, driven by either boilers or low temperature renewable technology



Heat output

Model	Room size guide* (m ²)	Heat Output at 80° (kW)	Heat Output at 75° (kW)	Heat Output at 70° (kW)	Heat Output at 65° (kW)	Heat Output at 60° (kW)	Heat Output at 55° (kW)	Heat Output at 50° (kW)	Heat Output at 45° (kW)	Heat Output at 40° (kW)
ECO-POWERAD LL 500	14	0.9	0.8	0.8	0.7	0.6	0.5	0.5	0.4	0.3
ECO-POWERAD LL 1000	29	2.4	2.1	1.8	1.6	1.4	1.2	1.0	0.8	0.7
ECO-POWERAD LL 1500	43	2.6	2.4	2.2	2.0	1.9	1.7	1.5	1.2	0.9
ECO-POWERAD LL 2000	57	3.9	3.5	3.2	2.8	2.5	2.2	2.0	1.7	1.3

Model	Flow & return connections	Mains cable	Transformer	Fused spur	Total Power Consumption (Watts)	Water Capacity (Litres)	Sound Levels (dBA)	Casting colour
ECO-POWERAD LL 500	15mm	2m	n/a	3A	15	0.17	28	white
ECO-POWERAD LL 1000	15mm	2m	n/a	3A	18	0.28	30	white
ECO-POWERAD LL 1500	15mm	2m	n/a	3A	33	0.44	31	white
ECO-POWERAD LL 2000	15mm	2m	n/a	3A	36	0.55	32	white

*Room sizes given in cubic metres for general guidance only based on normal heat output (50°C) for domestic applications - always calculate heat losses. Heat outputs tested in accordance with BS4856 using entering water temperature and 340 l/h (75gph) flow rate. At inlet water temperatures of 75°C and below, all Eco-Powerad models are classified as LST (low surface temperature) appliances. Sound levels measured at 1.5m.

Ordering guide

Model	Packed Wt (kg)	Product Codes
ECO-POWERAD LL 500 AC	6	HPEP52001
ECO-POWERAD LL 1000 AC	10	HPEP52002
ECO-POWERAD LL 1500 AC	14	HPEP52003
ECO-POWERAD LL 2000 AC	18	HPEP52004

As part our commitment to continuous improvement Smith's Environmental Products may change the specifications of its products without prior notification or public announcement. All descriptions, illustrations, drawings and specifications in this publication present only general particulars and shall not form part of any contract. All dimensions are in mm unless otherwise stated.