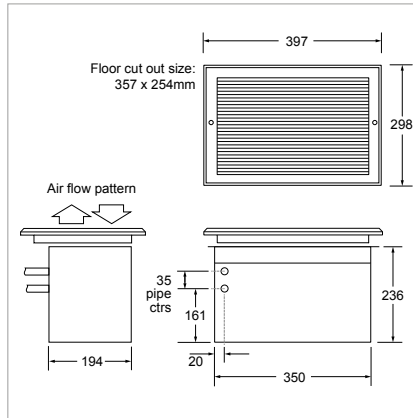


Spacemaker

A fan convector that installs flush with the floor, providing efficient and effective heat at low level



Features

- Perfect for places in the home where space is particularly limited
- Ideal for spaces such as entrance halls, lobbies, circulation areas and applications where wall space is limited

Applications

- Hall
- Kitchen
- Utility
- Conservatory

Motor

AC only

Finish

Anodised aluminium grille with removable centre section

Installation

Installs between floor joists or purpose made trenches in concrete floors

Air intake and discharge through grille

Unit must be earthed

Suitable for two-pipe central heating systems only

Commissioning

Check water temperature is hot enough to activate low temperature cut-out (LTC). Vent screw accessible through grille

Controls

Rocker switch - normal/off/boost, below grille

Low temperature cut-out thermostat set to energise fan at approx. 35°C

Heat output

Model	Room size guide* (m ²)	Heat Output at 80°		Heat Output at 75°		Heat Output at 70°		Heat Output at 65°		Heat Output at 60°	
		Normal (kW)	Boost (kW)	Normal (kW)	Boost (kW)	Normal (kW)	Boost (kW)	Normal (kW)	Boost (kW)	Normal (kW)	Boost (kW)
SPACEMAKER SST8	46	1.6	2.2	1.5	2.1	1.3	1.8	1.2	1.7	1.1	1.5

Model	Room size guide* (m ²)	Heat Output at 55°		Heat Output at 50°		Heat Output at 45°		Heat Output at 40°	
		Low (kW)	Medium (kW)	Low (kW)	Medium (kW)	Low (kW)	Medium (kW)	Low (kW)	Medium (kW)
SPACEMAKER SST8	46	0.9	1.3	0.8	1.2	0.7	1.0	0.6	0.9

Model	Flow & return connections	Mains cable	Transformer	Fused spur	Total Power Consumption		Water Capacity (Litres)	Sound Levels		Casting colour	Fan-only
					Normal (Watts)	Boost (Watts)		Normal (dBA)	Boost (dBA)		
SPACEMAKER SST8	15mm	1.5m	n/a	3A	20	30	0.27	32	39	Anodised aluminium	n/a

*Room sizes given in cubic metres for general guidance only based on normal heat output (80°C) for domestic applications - always calculate heat losses. Heat outputs tested in accordance with BS4856 using entering water temperature and 340 l/h (75gph) flow rate. Sound levels measured at 1.5m.

Ordering guide

Model	Packed Wt (kg)	Product Codes
SPACEMAKER SST8 AC	7	HPSM12001

As part of our commitment to continuous improvement Smith's Environmental Products may change the specifications of its products without prior notification or public announcement. All descriptions, illustrations, drawings and specifications in this publication present only general particulars and shall not form part of any contract. All dimensions are in mm unless otherwise stated.