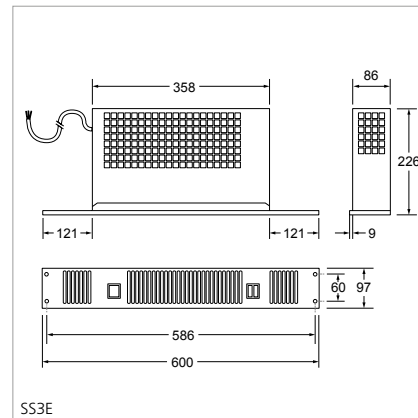


# Space Saver - Electric

A highly energy efficient fan convector that fits neatly into the plinth of a kitchen unit and eliminates the need for conventional radiators



## Features

- Makes room for extra kitchen storage, work space, or additional appliances
- More affordable than underfloor heating
- Get the flooring you want
- Discreet heating
- Easy to use
- Suitable for plinth heights from 80mm upwards
- Contemporary design with a wide choice of grille colours to suit interior decoration
- Two heat outputs and fan only option for instant heat and cool air circulation
- Low voltage bathroom model available for high humidity areas
- Free five years parts and labour warranty

## Applications

- Kitchen
- Utility

## Motor

AC

## Finish

SS2E and SS3E Fascia grilles: Zinc coated steel polyester, powder coated - metallic silver (referred to as Brushed Steel)  
Finish: brown - RAL 8016, black - RAL 9005, white - RAL 9010 and chrome  
SS80E Fascia grilles: Stainless steel  
Finish: brown - RAL 8016, black - RAL 9005, white - RAL 9010

## Installation

Correct fascia grille opening must be cut to allow sufficient air intake  
SS2E and SS3E - 20mm clearance above unit required  
SS80E - 10mm clearance above unit required  
Model secured to plinth by two screws through fascia grille  
Unit must be earthed

## Controls

Overheat protection: thermal cut-out. Manual reset procedure: switch power off at unit or mains, wait 5 minutes, switch power on  
SS2E: three rocker switches On/off, 1kW, 2kW  
SS3E: Push on/off switch, two rockers switches 1kW, 2kW, 3kW  
SS80E: three rocker switches On/off, 0.6kW, 1.2kW  
Time and temperature control - available from April 2018

## Accessories

Wall-mounted control switch (white) to suit SS2E

## Attachments

SS2E:

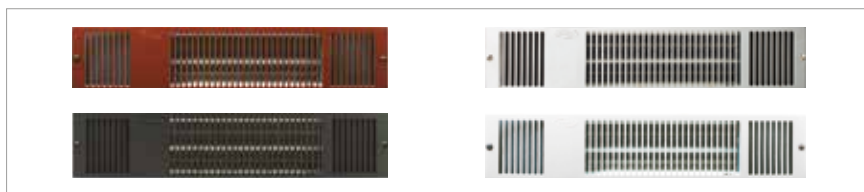
Grilles: brown - RAL 8016, black - RAL 9005, white - RAL 9010, chrome

Alternative grilles for SS2E fit over the supplied grille

SS80E:

Grilles: brown - RAL 8016, black - RAL 9005, white - RAL 9010

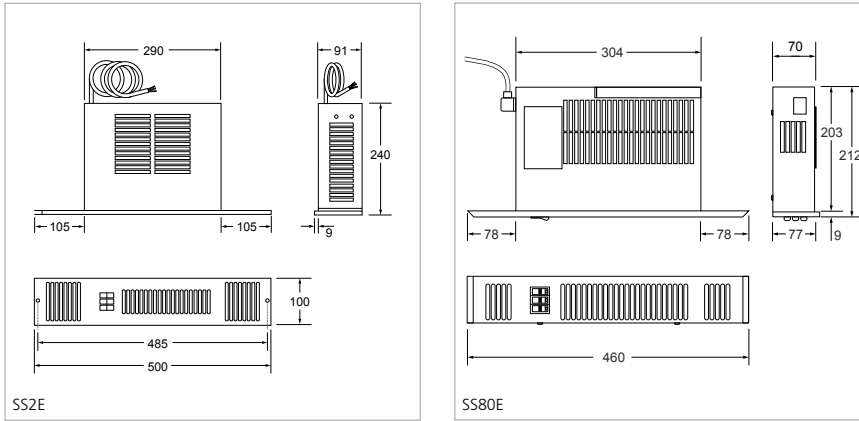
## Attachments



Brown, black, chrome or white fascia grilles

# Space Saver - Electric

A highly energy efficient fan convector that fits neatly into the plinth of a kitchen unit and eliminates the need for conventional radiators



## Outputs

Model	Heat output (kW)	Total Power Consumption (kW)	Fused spur	Mains cable	Sound levels (dBA)	Fascia grille finish colour	Fan-only	Minimum plinth height (mm)
SS2E	1kW/2kW/3kW	1kW/2kW/3kW	13A	2m	42	Brushed Steel	•	100
SS3E	1kW/2kW	1kW/2kW	10A	2m	42	Brushed Steel	•	100
SS80E	0.6kW/1.2kW	0.6kW/1.2kW	10A	2m	38	Stainless Steel	•	80

## Ordering guide

Model	Packed Wt (kg)	Product Codes
<b>Electric</b>		
SS2E (with stainless steel grille)	4	HPSS10070
SS2E (with white grille)	4	HPSS10079
SS3E (with stainless steel grille)	5	HPSS10075
SS3E (with white grille)	5	HPSS10084
SS80E (with stainless steel grille)	4	HPSS10073
<b>Attachments</b>		
	<b>Colour</b>	
SS2E Grille	Brown	HASS10131
SS2E Grille	Black	HASS10132
SS2E Grille	Chrome	HASS10134
SS80E Grille	Brown	HASS10151
SS80E Grille	Black	HASS10152
SS80E Grille	White	HASS10153
SS80E Grille	Chrome	HASS10164
<b>Accessories</b>		
Wall mounted control switch - SS2E		HASS10161
15mm Flexible Hoses (Pr)		HAGA95002

As part our commitment to continuous improvement Smith's Environmental Products may change the specifications of its products without prior notification or public announcement. All descriptions, illustrations, drawings and specifications in this publication present only general particulars and shall not form part of any contract. All dimensions are in mm unless otherwise stated.