

# Sureline®



Provides gentle, discreet and efficient low-level warmth and is the ideal heating solution for areas where wall space is limited - rooms such as loft conversions and new-builds



### Features

- Simple to install along the skirting in any room, Sureline is an efficient natural convector that provides discreet heating
- Supplied as standard in white but casing can be supplied in any colour

### Applications

- Education
- Healthcare
- Leisure and sport
- Office
- Hospitality
- Retail
- Showroom
- Residential

### Finish

Outer casing 0.7mm zinc coated steel  
Polyester, powder-coated RAL 9010  
Each length includes casing, element, backplate and joining strip  
Casing only includes casing, backplate and joining strip

### Installation

Minimum clearance above floor 50mm  
Flow and return connections 22mm copper  
Designed for system pressures up to 10 bar  
Suitable for two-pipe central heating systems only

### Attachments

- Casing only (1000mm)
- LH valve box/end cap kit
- RH valve box/end cap kit
- Centre valve cover
- 90° internal cover
- 90° external cover
- 135° internal cover
- 135° external cover
- Finger guard 500 (500mm)
- Finger guard 1000 (1000mm)
- Element (1000mm)

### Customised requirements

We are able to offer casings painted in any colour. Price and availability will be confirmed at the time of order

### Specification

To specify state:  
Skirting level perimeter hydronic heat emitter in white.  
As Smith's Sureline 500/1000/1500/2000.

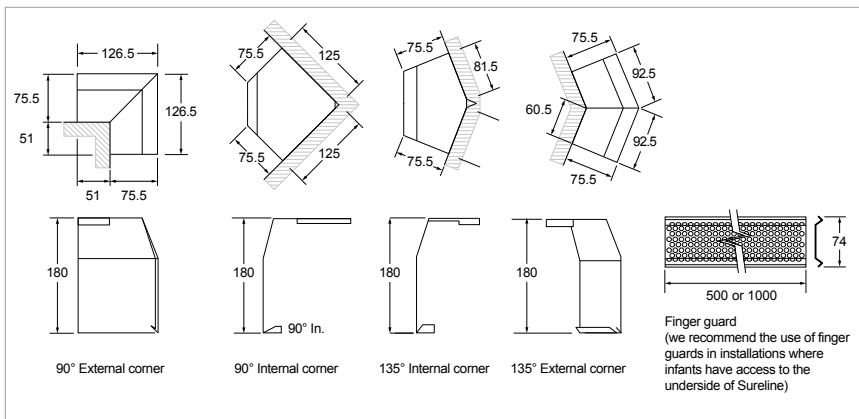
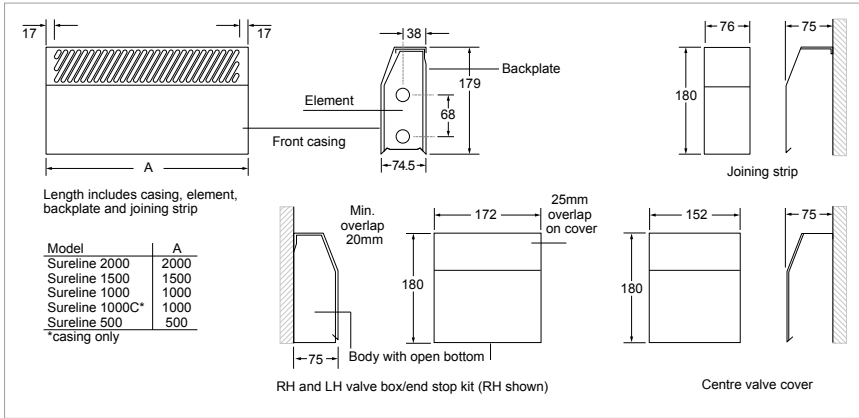
**Heat Output** For other heat output data please visit our website

	Flow Rate L/h (G/h)	Btu/h/m @ average water temperature						W/m @ average water temperature					
		50°C	55°C	60°C	65°C	70°C	75°C	50°C	55°C	60°C	65°C	70°C	75°C
 Two supplies - Parallel	920 (200)	1310	1570	1820	2070	2300	2560	380	460	530	610	670	750
 Bottom supply - Top return	920 (200)	1030	1250	1460	1710	1920	2140	300	370	430	500	560	630

# Sureline®



Provides gentle, discreet and efficient low-level warmth and is the ideal heating solution for areas where wall space is limited - rooms such as loft conversions and new-builds



## Ordering guide

Model	Packed Wt (kg)	Product Codes	Attachments	Product Codes
SURELINE 500	5	HPSL30001	SURELINE CASING 1000MM	HASL30101
SURELINE 1000	7	HPSL30002	SURELINE LEFT HAND VALVE COVER/END CAP	HASL30102
SURELINE 1500	10	HPSL30003	SURELINE RIGHT HAND VALVE COVER/END CAP	HASL30103
SURELINE 2000	14	HPSL30004	SURELINE CENTRE VALVE COVER	HASL30104
			SURELINE 90° INTERNAL CORNER	HASL30105
			SURELINE 90° EXTERNAL CORNER	HASL30106
			SURELINE 135° INTERNAL CORNER	HASL30107
			SURELINE 135° EXTERNAL CORNER	HASL30108
			SURELINE FINGER GUARD 500MM	HASL30109
			SURELINE FINGER GUARD 1000MM	HASL30110
			SURELINE ELEMENT 1000MM	HASL30111

As part our commitment to continuous improvement Smith's Environmental Products may change the specifications of its products without prior notification or public announcement. All descriptions, illustrations, drawings and specifications in this publication present only general particulars and shall not form part of any contract. All dimensions are in mm unless otherwise stated.