

Solano



A modern and lightweight hydronic fan-assisted unit heater designed to heat large areas such as warehouses, showrooms and workshops



Features

- Lightweight for easy installation <15kg
- High performance heat output up to 70kW
- Air volumes up to 4900 m³/h
- 3 speed fan
- Attractive design
- Five year warranty

Applications

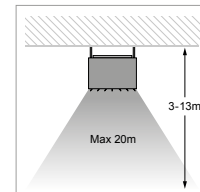
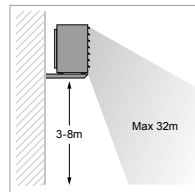
- Industrial
- Workshops
- Retail
- Showrooms
- Leisure and sport

Finish

Expanded Polypropylene (EPP) - Silver grey

Installation

Suitable for wall or ceiling mounting. Bracket design aids installation at also 30° and 60°.



Specification

To specify state: Lightweight hydronic fan-assisted unit heater at 10-30kW/30-50kW/50-70kW. As Smith's Solano.

Controls



- Panel COMFORT
- Manual temperature regulation
 - Fan speed change
 - Ventilation in summer season
 - Control up to 3 pcs of HEATER



- Panel INTELLIGENT
- Weekly thermostat
 - Automatic change of fan speed depending on room temperature
 - BMS communication
 - Control up to 2 pcs of HEATER



- Splitter MULTI 6
- Control up to 6 pcs of HEATER

Solano

A modern and lightweight hydronic fan-assisted unit heater designed to heat large areas such as warehouses, showrooms and workshops



Technical data

		HEATER R1	HEATER R2	HEATER R3	HEATER MIX ¹
heat output range	kW	10-30	30-50	50-70	-
max air output	m ³ /h	4 900	4 600	4 400	5 500
no of unit rows	-	1	2	3	0
air temperature increase*	°C	18	33	48	-
max working pressure	Mpa	1.6	1.6	1.6	-
max airflow range	m	27	25	24	15 **
diameter of connection nozzles	inches	3/4"	3/4"	3/4"	-
power supply	V/Hz A	230/50 1.15 A			
motor power	kW	0.25	0.25	0.25	0.25
motor speed	rpm	1350	1350	1350	1350
protection class IP	-	IP54	IP54	IP54	IP54
sound level	dB (A)**	56	56	56	56
weight without water/ with water	kg	10.8 / 11.9	12.7 / 14.8	14.5 / 16.9	9.2

* for temperatures of 90/70 and inlet temperature of 0°C

** max installation height for horizontal installation, working area max 380 m²

*** measured in distance of 5m

¹ HEATER MIX is a HEATER series unit without an exchanger for the destratification (displacement) of the warm air that accumulates at ceiling level in rooms with high ceilings. The HEATER MIX can also be used to increase the reach of warm air generated by the Solano Heaters.

Heater R1

inlet/outlet water temperature	water 70/50 °C					water 80/60 °C					water 90/70 °C					
	°C	0	5	10	15	20	0	5	10	15	20	0	5	10	15	20
inlet air temperature	°C	0	5	10	15	20	0	5	10	15	20	0	5	10	15	20
High speed - Air flow 4900 m ³ /h (speed 3)																
heat output	kW	19.5	17.6	15.8	14.1	12.3	23.4	21.5	19.6	17.7	15.8	27.5	25.6	23.5	21.4	19.3
outlet air temperature	°C	12.5	16.5	20.5	24.5	28.5	15.0	19.0	23.0	27.0	31.0	17.5	21.5	25.5	29.5	33.5
water flow	m ³ /h	0.7	0.6	0.6	0.5	0.5	0.9	0.8	0.8	0.7	0.7	1.1	1	1	0.9	0.7
pressure drop	kPa	0.9	0.8	0.8	0.7	0.6	1.4	1.2	1	0.8	0.6	2.0	1.8	1.6	1.4	1.2
Mid speed - Air flow 3450 m ³ /h (speed 2)																
heat output	kW	15.1	13.4	11.6	10	8.4	18.9	17	15.9	14	12.1	22.5	20.4	18.3	16.2	14.1
outlet air temperature	°C	14.6	18.5	22.5	26.5	30.5	16.5	20.4	24.5	29.3	33.2	19	23.1	26.5	30.5	34.5
water flow	m ³ /h	0.5	0.4	0.4	0.3	0.2	0.7	0.6	0.6	0.5	0.4	0.9	0.8	0.8	0.7	0.6
pressure drop	kPa	0.6	0.5	0.5	0.4	0.3	0.9	0.8	0.7	0.7	0.6	1.4	1.2	1	0.8	0.6
Low speed - Air flow 2450 m ³ /h (speed 1)																
heat output	kW	13.1	11.5	9.9	8.3	6.7	15.3	13.6	12	10.3	8.4	19.4	17.3	15.4	13.4	11.5
outlet air temperature	°C	16.6	20.6	24.5	28.5	32.6	19	23	27.1	30.9	34.9	21.1	25.1	29	33	37.1
water flow	m ³ /h	0.3	0.3	0.2	0.2	0.1	0.5	0.4	0.4	0.3	0.2	0.7	0.6	0.5	0.5	0.4
pressure drop	kPa	0.4	0.4	0.3	0.2	0.1	0.7	0.7	0.6	0.5	0.4	1	0.8	0.8	0.7	0.6

Solano

A modern and lightweight hydronic fan-assisted unit heater designed to heat large areas such as warehouses, showrooms and workshops



Heater R2

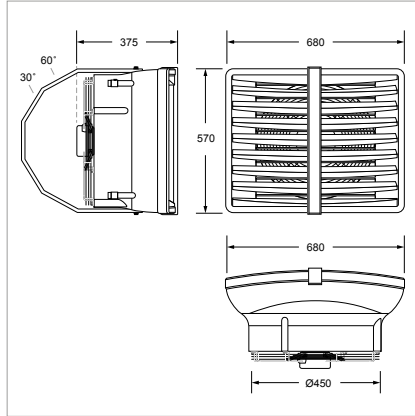
inlet/outlet water temperature		water 70/50 °C					water 80/60 °C					water 90/70 °C				
inlet air temperature	°C	0	5	10	15	20	0	5	10	15	20	0	5	10	15	20
High speed - Air flow 4600 m³/h (speed 3)																
heat output	kW	34.6	31.2	27.8	24.4	21.0	41.5	38.0	34.5	30.9	27.4	48.4	44.9	41.5	38.0	34.6
outlet air temperature	°C	24.0	26.9	29.9	33.0	36.1	28.5	31.5	34.4	37.5	40.5	32.5	35.4	38.5	41.5	44.6
water flow	m³/h	1.4	1.2	1.1	1.0	0.9	1.8	1.6	1.5	1.4	1.2	1.9	1.8	1.8	1.7	1.5
pressure drop	kPa	5.3	4.6	3.7	2.8	1.9	7.6	6.7	5.8	4.9	4.0	10.6	9.7	8.8	7.9	7.0
Mid speed - Air flow 3250 m³/h (speed 2)																
heat output	kW	27.4	24.3	21.6	18.9	15	33.5	30.5	27.8	24.2	21.4	39.5	36.8	33.9	30.8	27.5
outlet air temperature	°C	26	28.9	32	35	38.1	30.5	33	36.1	39.2	42.2	34.5	37.3	40.3	43.2	46.2
water flow	m³/h	1.2	1.1	0.9	0.8	0.7	1.5	1.4	1.2	1.1	1.0	1.7	1.6	1.5	1.4	1.3
pressure drop	kPa	3.7	2.8	2.1	1.6	1.2	5.2	4.3	3.6	2.7	1.8	6.2	5.4	4.5	3.4	2.5
Low speed - Air flow 2300 m³/h (speed 1)																
heat output	kW	22.18	19.7	17.2	14.7	12.1	27.1	24.7	22.5	20.3	18.2	32	28.7	25.8	23.9	20.9
outlet air temperature	°C	29	31.5	34.6	37.5	40.6	33	35.4	37.7	41.6	44.6	37	39.8	42.8	45.7	48.5
water flow	m³/h	0.9	0.8	0.8	0.9	0.6	1.2	1.1	1	0.9	0.8	1.4	1.2	1.8	1.1	1
pressure drop	kPa	2	1.8	1.5	1.2	0.9	2.9	2.6	2.3	1.8	1.5	3.9	3.5	3	2.6	2.2

Heater R3

inlet/outlet water temperature		water 70/50 °C					water 80/60 °C					water 90/70 °C				
inlet air temperature	°C	0	5	10	15	20	0	5	10	15	20	0	5	10	15	20
High speed - Air flow 4400 m³/h (speed 3)																
heat output	kW	49.2	45.3	41.6	38.3	34.4	58.4	54.2	50.1	46.1	42.3	67.6	63.4	59.3	55.1	51.1
outlet air temperature	°C	34.5	37	39	41	43	41.5	44	46	48	50	47.5	50	52	54	56
water flow	m³/h	1.9	1.9	1.7	1.5	1.3	2.4	2.4	2.2	1.9	1.8	2.8	2.8	2.6	2.4	2.2
pressure drop	kPa	12.3	9.6	7.9	6.4	5	16.7	13.6	11.6	9.7	8.1	21.7	18.1	15.8	13.7	11.8
Mid speed - Air flow 3100 m³/h (speed 2)																
heat output	kW	40.1	36.8	33.5	30.1	26.8	47.4	44.5	41.6	38.4	35.6	54.7	51.5	48.4	45.5	42.4
outlet air temperature	°C	37.5	40	42.1	44	46	44.5	47.1	49	51	52.9	50.5	52.9	55	57.1	59
water flow	m³/h	1.5	1.5	1.4	1.2	1.1	1.9	1.8	1.7	1.6	1.4	2.2	1.8	2.1	1.9	1.8
pressure drop	kPa	8.2	6.4	5.3	4.3	3.3	11.1	8.1	7.7	6.5	5.4	14.4	11.9	10.4	9.1	7.8
Low speed - Air flow 2200 m³/h (speed 1)																
heat output	kW	32.7	30.5	28.4	26.1	23.9	38.5	36.6	34.8	32.6	30.8	44.2	42	40.2	38.4	36.6
outlet air temperature	°C	41	43.5	45.6	47.5	49.5	48	50.6	52.5	54.5	56.4	54	56.4	58.5	60.6	62.5
water flow	m³/h	1.3	1.2	1.2	0.9	0.8	1.5	1.4	1.4	1.3	1.2	1.8	1.8	1.7	1.5	1.4
pressure drop	kPa	5.5	4.3	3.5	2.8	2.2	7.4	5.9	5.1	4.3	3.6	9.51	7.8	6.9	6	5.1

Solano

A modern and lightweight hydronic fan-assisted unit heater designed to heat large areas such as warehouses, showrooms and workshops



Ordering guide

Model	Wt (kg)	Product Codes
SOLANO HEATER R1 AC	10.8 / 11.9	HPUH310001
SOLANO HEATER R2 AC	12.7 / 14.8	HPUH310002
SOLANO HEATER R3 AC	14.5 / 16.9	HPUH310003
SOLANO HEATER MIX	9.2	HPUH310004

Accessories	Product Codes
SOLANO PANEL INTELLIGENT	HPUH310008
SOLANO PANEL COMFORT	HPUH310009
SOLANO SPLITTER MULTI 6	HPUH310010

As part of our commitment to continuous improvement Smith's Environmental Products may change the specifications of its products without prior notification or public announcement. All descriptions, illustrations, drawings and specifications in this publication present only general particulars and shall not form part of any contract. All dimensions are in mm unless otherwise stated.