

Caspian® LST

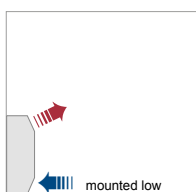
Caspian LST (low surface temperature) is ideal for applications where the surface temperature of is important such as schools and certain healthcare applications



Features

- Caspian LST (low surface temperature) fully complies with the NHS Estates Health Guidance Notes, "Safe hot water and surface temperatures" (formally known as DN4) and has been independently verified by BSRIA
- Using EC technology and meeting the DN4 legislation 100% of the time, this hydronic fan convector provides complete peace of mind for specifiers choosing the Caspian
- Any building registered under the Registered Homes Act 1984, including hospitals, clinics, surgeries and other health care premises, requires heat emitters whose maximum surface temperature must not exceed 43°C. This also extends to social services personal care properties, and may also apply to any property where occupants may be at risk of burns to their skin if they came into prolonged (10 seconds or more) contact with a standard heat emitter
- As well as healthcare applications Caspian LST is the ideal choice for schools and nurseries where the risk of children coming into contact with higher surface temperature heat emitters can be avoided
- Caspian LST range is patented (UK Patent No. 2,555,566)
- Available with antibacterial paint, for more information download our [antibacterial paint datasheet](#)

Mounting option



Applications

Education, healthcare, office and hospitality

Motor

EC (BMS compliant)

Finish

Casing: zinc-coated steel 1.2mm

Polyester powdercoated: white RAL 9010

Available to special order in any colour and with anti-microbial or anti-bacterial paint, for more information download our [antibacterial paint datasheet](#)

Filter

Class G2, 100% polyester, non-washable

Installation

Suitable for two-pipe central heating systems

Pipework access holes on the rear and underside

Key operated front access panels

Bleed valve accessible on removal of front casing

Unit must be earthed

Commissioning

Check water is hot enough to activate the low temperature cut-out thermostat

Regulate the flow to achieve maximum performance

Controls

Variable heat output controller (mounted within the products)

Specification

To specify state: Low Surface Temperature Fan Convactor with EC motor, in 1.2mm zinc coated steel, polyester powder coated in white RAL 9010. Dimensions at 660mm high and 595mm, 895mm, 1195mm, 1495mm or 1795mm wide. With variable heat output controller. As Smith's Caspian LST 60, 90, 120, 150, 180.

Caspian® LST



Caspian LST (low surface temperature) is ideal for applications where the surface temperature of is important such as schools and certain healthcare applications

Heat output

Model	Heat Output at 80°			Heat Output at 75°			Heat Output at 70°			Heat Output at 65°			Heat Output at 60°		
	Low (kW)	Medium (kW)	High (kW)	Low (kW)	Medium (kW)	High (kW)	Low (kW)	Medium (kW)	High (kW)	Low (kW)	Medium (kW)	High (kW)	Low (kW)	Medium (kW)	High (kW)
CASPIAN LST 60	1.0	1.6	2.2	0.9	1.4	1.9	0.8	1.3	1.7	0.8	1.1	1.5	0.7	1.0	1.3
CASPIAN LST 90	3.0	3.5	3.9	2.8	3.2	3.7	2.6	3.0	3.5	2.4	2.8	3.2	2.1	2.5	2.9
CASPIAN LST 120	5.0	5.3	5.7	4.7	5.1	5.5	4.4	4.8	5.2	4.0	4.4	4.8	3.6	4.0	4.4
CASPIAN LST 150	6.2	6.7	7.2	6.0	6.5	7.0	5.7	6.2	6.7	5.3	5.8	6.3	4.9	5.4	5.9
CASPIAN LST 180	7.7	8.2	8.7	7.5	8.0	8.5	7.2	7.7	8.2	6.8	7.3	7.8	6.4	6.9	7.4

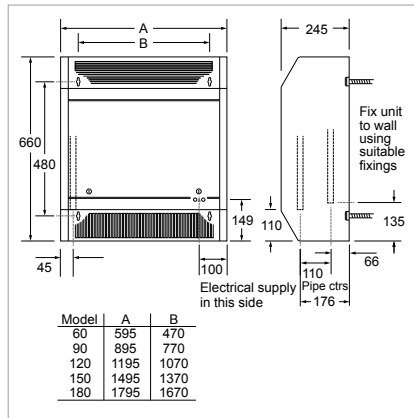
Model	Heat Output at 55°			Heat Output at 50°			Pressure Drop		
	Low (kW)	Medium (kW)	High (kW)	Low (kW)	Medium (kW)	High (kW)	High (kPa)	Medium (kPa)	Low (kPa)
CASPIAN LST 60	0.6	0.8	1.1	0.6	0.7	0.8	1.5	1.1	0.9
CASPIAN LST 90	1.9	2.2	2.6	1.6	2.0	2.3	3.9	2.3	1.6
CASPIAN LST 120	3.2	3.6	4.1	2.8	3.2	3.7	7.3	5.5	5.3
CASPIAN LST 150	4.6	5.1	5.6	4.2	4.7	5.2	8.6	6.8	6.2
CASPIAN LST 180	6.1	6.6	7.1	5.7	6.2	6.7	11.3	8.6	7.9

Model	Flow & return connections	Fused spur	Total Power Consumption				Sound Levels			Casting colour	Fan only
			Low (Watts)	Medium (Watts)	High (Watts)	Water Capacity (Litres)	High (dBA)	Medium (dBA)	Low (dBA)		
CASPIAN LST 60	22mm	3A	26	41	55	0.92	50	43	35	white	•
CASPIAN LST 90	22mm	3A	33	59	85	1.50	53	45	37	white	•
CASPIAN LST 120	22mm	3A	33	79	125	2.08	57	48	38	white	•
CASPIAN LST 150	22mm	3A	50	119	188	2.58	59	47	36	white	•
CASPIAN LST 180	22mm	3A	66	158	250	3.18	59	47	36	white	•

Heat output testing based on BS EN442 using mean water temperature, 20°C entering air temperature, 10° temperature drop. Sound levels measured at 3m in front of the floor mounted model.

Caspian® LST

Caspian LST (low surface temperature) is ideal for applications where the surface temperature of is important such as schools and certain healthcare applications



Ordering guide

Model	Packed Wt (kg)	Product Codes
CASPIAN LST 60 EC	24	HPCA28001
CASPIAN LST 90 EC	37	HPCA28002
CASPIAN LST 120 EC	46	HPCA28003
CASPIAN LST 150 EC	60	HPCA28004
CASPIAN LST 180 EC	78	HPCA28005

Accessories	Product Codes
CASPIAN UV/LST 60 PLINTH WHITE (150MM)	HACA33006
CASPIAN UV/LST 90 PLINTH WHITE (150MM)	HACA33007
CASPIAN UV/LST 120 PLINTH WHITE (150MM)	HACA33008
CASPIAN UV/LST 150 PLINTH WHITE (150MM)	HACA33009
CASPIAN UV/LST 180 PLINTH WHITE (150MM)	HACA33010
CASPIAN UV/LST 60 PLINTH BLACK (150MM)	HACA33097
CASPIAN UV/LST 90 PLINTH BLACK (150MM)	HACA33098
CASPIAN UV/LST 120 PLINTH BLACK (150MM)	HACA33099
CASPIAN UV/LST 150 PLINTH BLACK (150MM)	HACA33100
CASPIAN UV/LST 180 PLINTH BLACK (150MM)	HACA33101
FLEXIBLE HOSES 22MM PAIR	HAGA95003

100mm plinth also available, please contact us for further information

As part our commitment to continuous improvement Smith's Environmental Products may change the specifications of its products without prior notification or public announcement. All descriptions, illustrations, drawings and specifications in this publication present only general particulars and shall not form part of any contract. All dimensions are in mm unless otherwise stated. Please visit our website for the most up to date information.

Issue 004 | October 2020