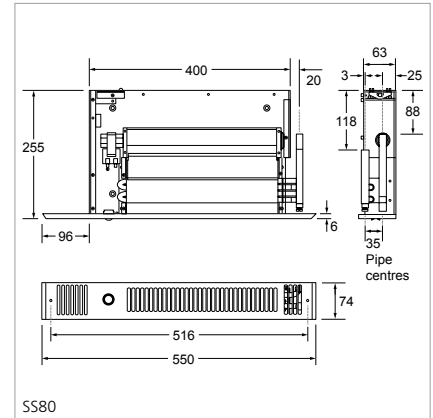


# Space Saver - Hydronic



A highly energy efficient fan convector that fits neatly into the plinth of a kitchen unit and eliminates the need for conventional radiators



## Features

- Makes room for extra kitchen storage, work space, or additional appliances
- More affordable than underfloor heating
- Get the flooring you want
- Discreet heating
- Easy to use
- Suitable for plinth heights from 80mm upwards
- Contemporary design with a wide choice of grille colours to suit interior decoration
- Two heat outputs and fan only option for instant heat and cool air circulation
- Low voltage bathroom model available for high humidity areas
- Free five years parts and labour warranty

## Applications

- Kitchen
- Utility
- Bathroom

## Motor

AC

## Finish

Fascia grille: Stainless Steel

See under attachments for other fascia grille colours

## Installation

Correct fascia grille opening must be cut to allow sufficient air intake 20mm clearance above unit required

Model secured to plinth by two screws through fascia grille

Unit must be earthed (not 12 volt SELV)

Suitable for two-pipe central heating systems only

SS80 supplied with detachable cable

SS80 models have easy fit thermostat facility

## Commissioning

Check water temperature is hot enough to activate low temperature cut-out thermostat (LTC). Vent screw accessible through fascia grille

## Controls

Single rocker switch - low/off/normal

SS80: Low temperature cut-out thermostat set to energise fan at approximately 35°C

SS5 W/Dual: Wireless temperature control featuring comfort, setback and run back timer (battery operated) supplied, three rocker switches, heating/off/fan-only, hydronic/electric, normal/boost

Low temperature cut-out thermostat set to energise fan at approximately 35°C

All other models: two rocker switches -normal/off/boost, heating/fan-only

Low temperature cut-out thermostat set to energise fan at approximately 35°C

## Accessories

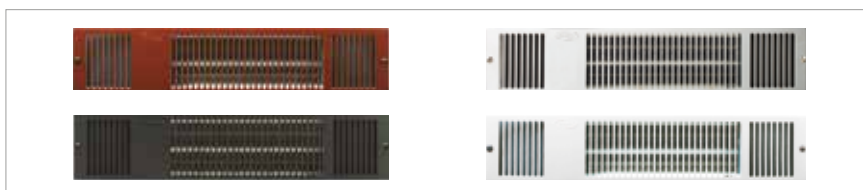
Wall-mounted room thermostat

Wall mounted control switch (white) to suit SS3, SS5, SS5/12V, SS7, SS9

## Attachments

Grilles: brown - RAL 8016, black - RAL 9005, white - RAL 9010 and chrome

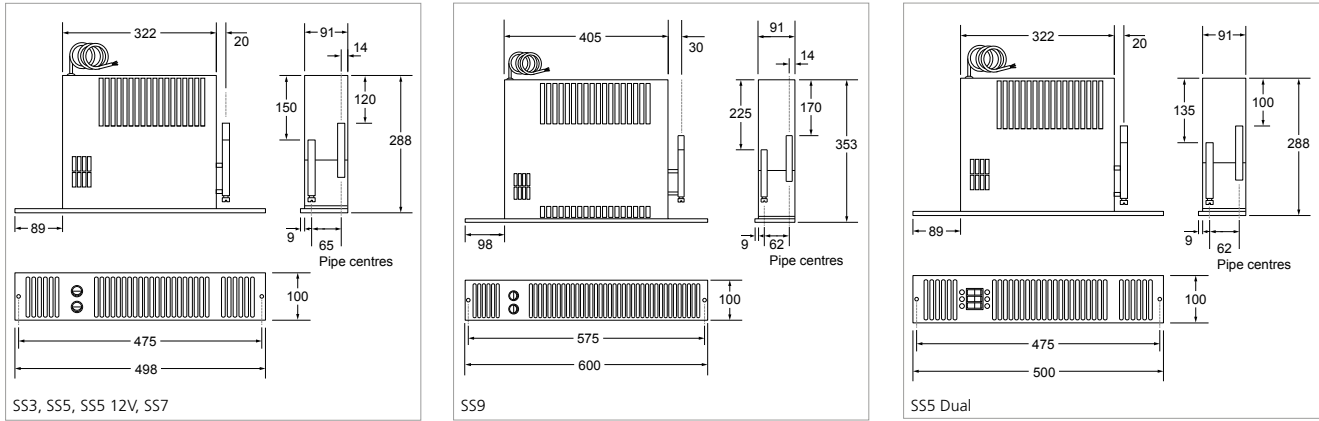
## Attachments



Brown, black, chrome or white fascia grilles (grilles shown are for colour reference only and switch configuration varies by product). See below for further details.

# Space Saver - Hydronic

A highly energy efficient fan convector that fits neatly into the plinth of a kitchen unit and eliminates the need for conventional radiators



## Heat Output

Model	Room size guide* (m <sup>3</sup> )	Heat Output at 80°		Heat Output at 75°		Heat Output at 70°		Heat Output at 65°		Heat Output at 60°	
		Normal (kW)	Boost (kW)	Normal (kW)	Boost (kW)	Normal (kW)	Boost (kW)	Normal (kW)	Boost (kW)	Normal (kW)	Boost (kW)
<b>Hydronic</b>											
SS80	24	0.8	1.1	0.8	0.9	0.7	0.8	0.6	0.7	0.6	0.7
SS3	31	1.1	1.4	1.0	1.3	0.9	1.2	0.8	1.1	0.7	1.0
SS5	37	1.3	1.7	1.2	1.6	1.1	1.4	1.0	1.3	0.9	1.1
SS7	46	1.6	1.9	1.4	1.8	1.3	1.6	1.2	1.5	1.1	1.3
SS9	63	2.2	2.4	2.1	2.2	1.8	2.0	1.7	1.8	1.5	1.7
<b>Hydronic low voltage</b>											
SS5 12V	33	1.3	1.7	1.2	1.6	1.1	1.4	1.0	1.3	0.9	1.1
<b>Hydronic/electric (dual)</b>											
SS5 Dual (electric mode)	37	1.3	1.7	1.2	1.6	1.1	1.4	1.0	1.3	0.9	1.1
SS5 Dual	29	1.0	-	1.0	-	1.0	-	1.0	-	1.0	-

Model	Room size guide* (m <sup>3</sup> )	Heat Output at 55°		Heat Output at 50°		Heat Output at 45°		Heat Output at 40°	
		Normal (kW)	Boost (kW)	Normal (kW)	Boost (kW)	Normal (kW)	Boost (kW)	Normal (kW)	Boost (kW)
<b>Hydronic</b>									
SS80	24	0.5	0.6	0.4	0.5	0.4	0.4	0.3	0.3
SS3	31	0.6	0.9	0.5	0.8	0.4	0.7	0.3	0.6
SS5	37	0.8	1.0	0.7	0.9	0.6	0.8	0.5	0.7
SS7	46	1.0	1.2	0.9	1.0	0.8	0.9	0.6	0.8
SS9	63	1.3	1.5	1.1	1.3	0.9	1.1	0.7	0.9
<b>Hydronic low voltage</b>									
SS5 12V	33	0.8	1.0	0.7	0.9	0.6	0.8	0.5	0.7
<b>Hydronic/electric (dual)</b>									
SS5 Dual (electric mode)	37	0.8	1.0	0.7	0.9	0.6	0.8	0.5	0.7
SS5 Dual	29	1.0	-	1.0	-	1.0	-	1.0	-

\*Room sizes given in cubic metres for general guidance only based on normal heat output (80°C) for domestic applications - always calculate heat losses. Heat outputs tested in accordance with BS4856 using entering water temperature and 340 l/h (75gph) flow rate. Fan-only option operational only when central heating system is switched off. Dual models include an electric element which in electric heating mode will emit 1kW of heat.

# Space Saver - Hydronic



A highly energy efficient fan convector that fits neatly into the plinth of a kitchen unit and eliminates the need for conventional radiators

Model	Room size guide* (m <sup>2</sup> )	Sound levels		Fascia grille finish	Fan-only	Minimum plinth height (mm)
		Normal (dBA)	Boost (dBA)			
<b>Hydronic</b>						
SS80	24	32	40	Stainless Steel	•	80
SS3	31	26	39	Stainless Steel	•	100
SS5	37	27	43	Stainless Steel	•	100
SS7	46	30	44	Stainless Steel	•	100
SS9	63	41	46	Stainless Steel	•	120
<b>Hydronic Low Voltage</b>						
SS5 12V	33	31	39	Stainless Steel	•	100
<b>Hydronic/Electric (Dual)</b>						
SS5 Dual (in hydronic mode)	37	27	43	Stainless Steel	•	100
SS5 Dual (in electric mode)						100

Sound levels measured at 1.5m.

Model	Flow & return connections	Mains cable	Transformer	Flexible hoses	Fused spur	Total Power Consumption		Water Capacity (Litres)
						Normal (W)	Boost (W)	
SS80	15mm	2m	n/a	•	3A	5	10	0.35
SS3	15mm	2m	n/a	n/a	3A	18	25	0.36
SS5	15mm	2m	n/a	•	3A	18	25	0.36
SS7	15mm	2m	n/a	•	3A	21	30	0.38
SS9	15mm	2m	n/a	•	3A	24	35	0.53
SS5 12V	15mm	0.45m	•	•	3A	21	30	0.36
SS5 Dual	15mm	2m	n/a	•	3A	18 (electric mode)	25 (electric mode)	0.36

## Ordering guide

Model	Packed Wt (kg)	Product Codes
<b>Hydronic - with stainless steel grilles</b>		
SPACE SAVER SS3	5	HPSS10001
SPACE SAVER SS5	6	HPSS10002
SPACE SAVER SS7	6	HPSS10003
SPACE SAVER SS9	7	HPSS10004
SPACE SAVER SS80	5	HPSS10009
SPACE SAVER SS5/12V	6	HPSS10005
<b>Hydronic/Electric - with stainless steel grilles</b>		
SPACE SAVER SS5/Dual	6	HPSS10076

Accessories	Colour	Product Codes
SPACE SAVER SS3 / SS5 / SS5 12V / SS7 GRILLE	BROWN	HASS10101
SPACE SAVER SS3 / SS5 / SS5 12V / SS7 GRILLE	BLACK	HASS10102
SPACE SAVER SS3 / SS5 / SS5 12V / SS7 GRILLE	WHITE	HASS10103
SPACE SAVER SS3 / SS5 / SS5 12V / SS7 GRILLE	CHROME	HASS10104
SPACE SAVER SS9 GRILLE	BROWN	HASS10111
SPACE SAVER SS9 GRILLE	BLACK	HASS10112
SPACE SAVER SS9 GRILLE	WHITE	HASS10113
SPACE SAVER SS9 GRILLE	CHROME	HASS10114
SPACE SAVER SS5 DUAL GRILLE	BROWN	HASS10121
SPACE SAVER SS5 DUAL GRILLE	BLACK	HASS10122
SPACE SAVER SS5 DUAL GRILLE	WHITE	HASS10123
SPACE SAVER SS5 DUAL GRILLE	CHROME	HASS10124
SPACE SAVER SS80 GRILLE	BROWN	HASS10141
SPACE SAVER SS80 GRILLE	BLACK	HASS10142
SPACE SAVER SS80 GRILLE	WHITE	HASS10143
SPACE SAVER SS80 GRILLE	CHROME	HASS10165
ROOM THERMOSTAT HARD WIRED		HAGA95001
SPACE SAVER WALL MOUNTED CONTROL SWITCH SS3, SS5, SS7, SS9		HASS10162
FLEXIBLE HOSES 15MM PAIR		HAGA95002

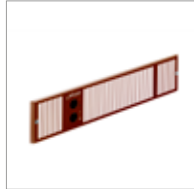
As part of our commitment to continuous improvement Smith's Environmental Products may change the specifications of its products without prior notification or public announcement. All descriptions, illustrations, drawings and specifications in this publication present only general particulars and shall not form part of any contract. All dimensions are in mm unless otherwise stated.

# Space Saver - Hydronic

Most Space Saver models are supplied with a detachable brushed Stainless Steel fascia grille. Alternative attachment grille colours are shown below to match your application.



### Attachments (to be ordered separately)



SS3, 5, 7, 9 - brown grille



SS3, 5, 7, 9 - black grille



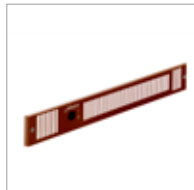
SS3, 5, 7, 9 - chrome grille



SS3, 5, 7, 9 - white grille



### Attachments (to be ordered separately)



SS80 - brown grille



SS80 - black grille



SS80 - chrome grille



SS80 - white grille



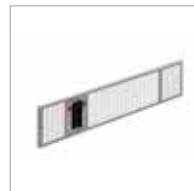
### Attachments (to be ordered separately)



SS5 DUAL - brown grille



SS5 DUAL - black grille



SS5 DUAL - chrome grille



SS5 DUAL - white grille