

Solano®

A modern and lightweight hydronic fan-assisted unit heater to heat open areas such as production and warehouses, car showrooms, service stations, sports halls and agricultural facilities



Features

- Lightweight for easy installation <15kg
- High performance heat output up to 70kW*
- Air volumes up to 4100 m³/h and 3 speed fan
- Attractive design

Applications

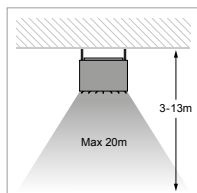
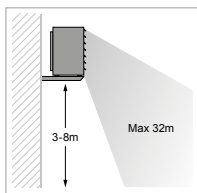
Production and warehouse halls, car showrooms, service stations, sports halls and stadiums, sacral buildings and churches, retail stores and wholesale outlets, agricultural facilities and exhibition surfaces.

Finish

Expanded Polypropylene (EPP) - Silver grey.

Installation

Suitable for wall or ceiling mounting. Bracket design aids installation at also 30° and 60°.



Specification

To specify state: Lightweight hydronic fan-assisted unit heater at 10-30kW/30-50kW/50-70kW. As Smith's Solano.

Technical data

		Heater R1	Heater R2	Heater R3	Heater Mix
Heat output range	kW	10-30	30-50	50-70	-
Max air output	m³/h	4 100	3 500	3 400	5 600
No of unit rows	-	1	2	3	-
Air temperature increase*	°C	14	29	29	-
Max working pressure	Mpa	1.6	1.6	1.6	-
Max airflow range	m	27	25	24	15 **
Diameter of connection nozzles	inches	3/4"	3/4"	3/4"	-
Power supply	V/Hz A	230/50 1.15 A	230/50 1.16 A		
Motor power	kW	0.25	0.25	0.36	0.36
Motor speed	rpm	1350	1350	1400	1400
Protection class IP	-	IP54	IP54	IP54	IP54
Sound level	dB (A)***	59.4	59.4	60.5	60.5
Weight without water/with water	kg	10.8 / 11.9	12.7 / 14.8	14.5 / 16.9	9.2

* for temperatures of 90/70 and inlet temperature of 0°C

** maximum height of assembly for vertical airflow, max working range of up to 380m².

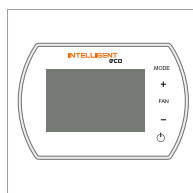
Horizontal range of isothermal stream at velocity of 0.5 m/s

*** measured in distance of 5m

Controls



- Panel COMFORT
- Manual temperature regulation
 - Fan speed change
 - Ventilation in summer season
 - Control up to 3 pcs of HEATER



- Panel INTELLIGENT
- Weekly thermostat
 - Automatic change of fan speed depending on room temperature
 - BMS communication
 - Control up to 2 pcs of HEATER



- Splitter MULTI 6
- Control up to 6 pcs of HEATER

Solano R1 is ideal for smaller open areas such as retail outlets, and smaller gyms as well as small workshops

Heater R1

inlet/outlet water temperature		water 50/40 °C					water 60/40 °C					water 70/50 °C					
inlet air temperature		°C	0	5	10	15	20	0	5	10	15	20	0	5	10	15	20
High speed - Air flow 4100 m³/h (speed 3)																	
heat output	kW	11.47	10.01	8.55	7.10	5.65	11.53	10.06	8.59	7.11	5.60	14.66	13.20	11.74	10.28	8.82	
outlet air temperature	°C	7.70	11.90	16.00	20.00	24.10	7.80	11.90	16.00	20.00	24.00	9.90	14.10	18.20	22.30	26.30	
water flow	m³/h	1.00	0.87	0.74	0.62	0.49	0.50	0.44	0.37	0.31	0.24	0.64	0.58	0.51	0.45	0.39	
pressure drop	kPa	24.24	18.96	14.26	10.20	6.76	6.89	5.39	4.05	2.88	1.87	10.35	8.56	6.92	5.45	4.13	
Mid speed - Air flow 2750 m³/h (speed 2)																	
heat output	kW	9.18	8.01	6.85	5.69	4.53	9.25	8.07	6.88	5.68	4.45	11.76	10.58	9.41	8.24	7.07	
outlet air temperature	°C	9.20	13.20	17.10	21.00	24.90	9.30	13.30	17.20	21.00	24.80	11.80	15.80	19.80	23.70	27.60	
water flow	m³/h	0.80	0.70	0.60	0.49	0.39	0.40	0.35	0.30	0.25	0.19	0.51	0.46	0.41	0.36	0.31	
pressure drop	kPa	11.00	8.64	6.54	4.71	3.14	3.20	2.51	1.90	1.35	0.87	4.74	3.94	3.20	2.53	1.93	
Low speed - Air flow 2050 m³/h (speed 1)																	
heat output	kW	7.73	6.75	5.77	4.79	3.81	7.80	6.80	5.80	4.78	3.71	9.92	8.93	7.95	6.96	5.97	
outlet air temperature	°C	10.40	14.30	18.10	21.80	25.50	10.50	14.30	18.10	21.80	25.30	13.40	17.30	21.10	24.90	28.60	
water flow	m³/h	0.67	0.59	0.50	0.42	0.33	0.34	0.30	0.25	0.21	0.16	0.43	0.39	0.35	0.30	0.26	
pressure drop	kPa	8.12	6.38	4.83	3.48	2.32	2.37	1.86	1.40	0.99	0.63	3.51	2.92	2.37	1.87	1.42	
High speed - Air flow 4100 m³/h (speed 3)																	
inlet/outlet water temperature		water 80/60 °C					water 90/70 °C					water 120/90 °C					
inlet air temperature		°C	0	5	10	15	20	0	5	10	15	20	0	5	10	15	20
High speed - Air flow 4100 m³/h (speed 3)																	
heat output	kW	17.74	16.27	14.80	13.35	11.89	20.77	19.30	17.83	16.37	14.91	29.60	28.00	26.40	24.80	23.20	
outlet air temperature	°C	12.00	16.20	20.30	24.50	28.60	14.00	18.20	22.40	26.60	30.70	20.20	24.50	28.70	32.90	37.10	
water flow	m³/h	0.78	0.71	0.65	0.59	0.52	0.92	0.85	0.79	0.72	0.66	0.88	0.83	0.78	0.73	0.69	
pressure drop	kPa	14.26	12.18	10.27	8.52	6.92	18.57	16.25	14.08	12.06	10.18	9.00	8.10	7.30	6.60	5.80	
Mid speed - Air flow 2750 m³/h (speed 2)																	
heat output	kW	14.21	13.03	11.86	10.70	9.53	16.63	15.45	14.27	13.10	11.94	23.70	22.40	21.10	19.90	18.60	
outlet air temperature	°C	14.30	18.30	22.30	26.30	30.20	16.70	20.80	24.80	28.90	32.80	24.10	28.30	32.40	36.40	40.30	
water flow	m³/h	0.62	0.57	0.52	0.47	0.42	0.73	0.68	0.63	0.58	0.53	0.70	0.66	0.63	0.59	0.55	
pressure drop	kPa	6.46	5.54	4.68	3.90	3.18	8.32	7.30	6.34	5.45	4.62	6.10	5.52	4.99	4.47	3.93	
Low speed - Air flow 2050 m³/h (speed 1)																	
heat output	kW	11.99	11.00	10.01	9.03	8.05	14.02	13.03	12.04	11.05	10.07	20.00	18.90	17.80	16.70	15.60	
outlet air temperature	°C	16.20	20.10	24.00	27.80	31.60	18.90	22.90	26.80	30.70	34.50	27.30	31.30	35.30	39.20	43.00	
water flow	m³/h	0.53	0.48	0.44	0.40	0.35	0.62	0.57	0.53	0.49	0.44	0.59	0.56	0.52	0.46	0.46	
pressure drop	kPa	4.77	4.10	3.46	2.88	2.35	6.14	5.39	4.68	4.03	3.41	4.49	4.06	3.66	3.20	2.91	

Solano R2 is ideal for medium sized open areas such as churches, larger retail outlets, car showrooms and workshops

Heater R2

inlet/outlet water temperature		water 50/40 °C					water 60/40 °C					water 70/50 °C				
inlet air temperature		0	5	10	15	20	0	5	10	15	20	0	5	10	15	20
High speed - Air flow 3500 m³/h (speed 3)																
heat output	kW	20.23	17.70	15.20	12.71	10.22	20.91	18.36	15.82	13.27	10.70	26.20	23.65	21.11	18.59	16.08
outlet air temperature	°C	16.00	19.20	22.40	25.60	28.60	16.50	19.80	22.90	26.00	29.00	20.70	24.00	27.30	30.40	33.60
water flow	m³/h	1.76	1.54	1.32	1.11	0.89	0.91	0.80	0.69	0.58	0.47	1.15	1.03	0.92	0.81	0.70
pressure drop	kPa	24.06	18.92	14.39	10.44	7.07	7.24	5.74	4.39	3.21	2.18	10.53	8.76	7.15	5.69	4.39
Mid speed - Air flow 2900 m³/h (speed 2)																
heat output	kW	18.06	15.80	13.57	11.35	9.13	18.70	16.43	14.15	11.87	9.56	23.42	21.14	18.87	16.62	14.38
outlet air temperature	°C	17.20	20.30	23.40	26.40	29.30	17.80	20.90	24.00	26.90	29.70	22.30	25.50	28.60	31.70	34.60
water flow	m³/h	1.57	1.37	1.18	0.99	0.79	0.82	0.72	0.62	0.52	0.42	1.02	0.93	0.83	0.73	0.63
pressure drop	kPa	19.62	15.43	11.74	8.52	5.78	5.93	4.70	3.60	2.63	1.78	8.61	7.17	5.85	4.66	3.59
Low speed - Air flow 2000 m³/h (speed 1)																
heat output	kW	14.52	12.71	10.91	9.13	7.35	15.09	13.26	11.42	9.57	7.68	18.88	17.05	15.22	13.41	11.60
outlet air temperature	°C	19.60	22.50	25.20	27.90	30.60	20.40	23.20	25.90	28.60	31.10	25.50	28.40	31.20	34.00	36.70
water flow	m³/h	1.26	1.11	0.95	0.79	0.64	0.66	0.58	0.50	0.42	0.33	0.83	0.75	0.67	0.59	0.51
pressure drop	kPa	13.27	10.44	7.95	5.77	3.92	4.04	3.20	2.45	1.79	1.21	5.85	4.87	3.98	3.17	2.44

inlet/outlet water temperature		water 80/60 °C					water 90/70 °C					water 120/90 °C				
inlet air temperature		0	5	10	15	20	0	5	10	15	20	0	5	10	15	20
High speed - Air flow 3500 m³/h (speed 3)																
heat output	kW	31.39	28.82	26.28	23.76	21.24	36.53	33.94	31.38	28.84	26.32	48.00	45.50	42.90	40.30	37.70
outlet air temperature	°C	24.80	28.20	31.50	34.70	37.90	28.90	32.30	35.70	39.00	42.20	38.50	42.20	45.70	49.10	52.50
water flow	m³/h	1.38	1.27	1.15	1.04	0.93	1.61	1.50	1.39	1.27	1.16	1.40	1.34	1.27	1.19	1.12
pressure drop	kPa	14.19	12.18	10.32	8.61	7.04	18.22	15.96	13.86	11.91	10.10	11.80	10.70	9.60	8.60	7.60
Mid speed - Air flow 2900 m³/h (speed 2)																
heat output	kW	28.04	25.75	23.47	21.22	18.98	32.61	30.30	28.01	25.74	23.49	43.10	40.60	38.30	36.00	33.70
outlet air temperature	°C	26.70	30.00	33.20	36.30	39.30	31.10	34.40	37.60	40.80	43.90	41.50	45.10	48.40	51.70	55.00
water flow	m³/h	1.23	1.13	1.03	0.93	0.83	1.44	1.34	1.24	1.14	1.04	1.20	1.20	1.13	1.06	1.00
pressure drop	kPa	11.59	9.94	8.43	7.03	5.75	14.86	13.01	11.30	9.71	8.24	9.73	8.70	7.83	7.00	6.26
Low speed - Air flow 2000 m³/h (speed 1)																
heat output	kW	22.59	20.74	18.91	17.09	15.30	26.40	24.38	22.54	20.71	18.90	34.10	32.20	30.30	28.50	26.70
outlet air temperature	°C	30.50	33.50	36.40	39.20	42.00	35.40	38.50	41.50	44.40	47.20	47.80	51.10	54.20	57.20	60.20
water flow	m³/h	0.99	0.91	0.83	0.75	0.67	1.16	1.08	1.00	0.91	0.83	1.01	0.95	0.90	0.84	0.79
pressure drop	kPa	7.86	6.74	5.72	4.77	3.91	10.05	8.81	7.65	6.57	5.58	6.38	5.75	5.10	4.60	4.12

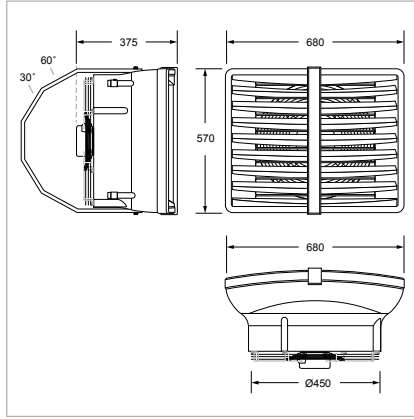
Solano R3 is ideal for larger sized open areas such as warehouses, production facilities, agricultural facilities, sports halls and exhibition surfaces

Heater R3

inlet/outlet water temperature		water 50/40 °C					water 60/40 °C					water 70/50 °C					
inlet air temperature		°C	0	5	10	15	20	0	5	10	15	20	0	5	10	15	20
High speed - Air flow 3400 m³/h (speed 3)																	
heat output	kW	28.9	25.5	22.2	18.8	15.3	30.5	27.1	23.7	20.2	16.7	37.8	34.5	31.1	27.7	24.3	
outlet air temperature	°C	22.2	24.6	27.1	29.5	31.9	23.4	25.9	28.3	30.6	32.9	29.0	31.5	34.0	36.4	38.8	
water flow	m³/h	2.5	2.2	1.9	1.6	1.3	1.3	1.2	1.0	0.9	0.7	1.7	1.5	1.4	1.2	1.1	
pressure drop	kPa	30.6	24.5	18.9	14.1	9.8	9.5	7.7	6.1	4.6	3.3	13.6	11.5	9.6	7.8	6.2	
Mid speed - Air flow 2700 m³/h (speed 2)																	
heat output	kW	24.86	21.98	19.10	16.18	13.24	26.31	23.40	20.46	17.47	14.40	32.63	29.75	26.86	23.95	21.01	
outlet air temperature	°C	24.08	26.33	28.55	30.80	32.91	25.48	27.70	29.91	32.05	34.05	31.55	33.84	36.12	38.34	40.50	
water flow	m³/h	2.16	1.90	1.65	1.40	1.15	1.15	1.00	9.00	0.76	0.60	1.44	1.29	1.18	1.04	0.94	
pressure drop	kPa	23.29	18.67	14.50	10.78	7.54	7.32	5.94	4.68	3.54	2.52	10.43	8.84	7.36	5.99	4.74	
Low speed - Air flow 1750 m³/h (speed 1)																	
heat output	kW	18.44	16.32	14.20	12.05	9.88	19.65	17.49	15.31	13.09	10.81	24.31	22.19	20.06	17.91	15.73	
outlet air temperature	°C	27.65	29.58	31.41	33.22	34.91	29.43	31.28	33.05	34.74	36.28	36.43	38.35	40.21	42.00	43.71	
water flow	m³/h	1.62	1.40	1.22	1.04	0.86	0.86	0.76	0.68	0.58	0.47	1.08	0.97	0.86	0.79	1.66	
pressure drop	kPa	13.61	10.94	8.53	6.37	4.48	4.35	3.54	2.80	2.13	1.52	6.16	5.23	4.37	3.57	2.84	
High speed - Air flow 3400 m³/h (speed 3)																	
inlet/outlet water temperature		water 80/60 °C					water 90/70 °C					water 120/90 °C					
inlet air temperature		°C	0	5	10	15	20	0	5	10	15	20	0	5	10	15	20
High speed - Air flow 3400 m³/h (speed 3)																	
heat output	kW	45.1	41.8	38.4	35.1	31.7	52.3	59.0	45.7	42.4	39.1	69.0	65.7	62.5	59.2	55.9	
outlet air temperature	°C	34.5	37.1	39.6	42.1	44.5	40.0	42.6	45.2	47.7	50.1	52.8	55.5	58.1	60.7	63.4	
water flow	m³/h	2.0	1.8	1.7	1.5	1.4	2.3	2.2	2.2	1.9	1.7	1.9	1.9	1.9	1.8	1.7	
pressure drop	kPa	18.3	15.9	13.7	11.6	9.7	23.4	20.8	18.3	16.0	13.8	17.8	16.2	14.7	13.4	12.1	
Mid speed - Air flow 2700 m³/h (speed 2)																	
heat output	kW	38.86	36.01	33.14	30.27	27.38	45.05	42.21	39.37	36.53	33.67	59.46	56.65	53.84	51.03	48.22	
outlet air temperature	°C	37.52	39.87	42.21	44.44	46.66	43.47	45.88	48.22	50.28	52.78	57.48	60.04	62.48	64.86	67.18	
water flow	m³/h	1.69	1.58	1.44	1.33	1.19	1.98	1.87	1.73	1.62	1.48	0.49	0.47	0.45	0.42	0.40	
pressure drop	kPa	13.94	12.14	10.46	8.88	7.42	17.83	15.85	13.96	12.19	10.52	13.53	12.38	11.29	10.24	9.24	
Low speed - Air flow 1750 m³/h (speed 1)																	
heat output	kW	28.90	26.80	24.69	22.57	20.45	33.45	31.36	29.27	27.18	25.80	44.22	42.15	40.07	38.01	35.94	
outlet air temperature	°C	43.27	45.25	47.17	49.03	50.82	50.02	52.06	53.99	55.90	57.76	66.24	68.42	70.50	72.46	74.40	
water flow	m³/h	1.26	1.19	1.08	1.01	0.90	1.48	1.37	1.30	1.19	1.12	1.33	1.26	1.19	1.12	1.08	
pressure drop	kPa	8.17	7.13	6.16	5.25	4.40	10.39	9.25	8.17	7.15	6.18	7.89	7.24	6.61	6.00	5.43	

Solano®

A modern and lightweight hydronic fan-assisted unit heater to heat open areas such as production and warehouses, car showrooms, service stations, sports halls and agricultural facilities



Ordering guide

Model	Wt (kg)	Product Codes
SOLANO HEATER R1 AC	10.8 / 11.9	HPUH310011
SOLANO HEATER R2 AC	12.7 / 14.8	HPUH310012
SOLANO HEATER R3 AC	14.5 / 16.9	HPUH310013
SOLANO HEATER MIX	9.2	HPUH310004

Accessories	Product Codes
SOLANO PANEL INTELLIGENT	HPUH310008
SOLANO PANEL COMFORT	HPUH310009
SOLANO SPLITTER MULTI 6	HPUH310010

As part our commitment to continuous improvement Smith's Environmental Products may change the specifications of its products without prior notification or public announcement. All descriptions, illustrations, drawings and specifications in this publication present only general particulars and shall not form part of any contract. All dimensions are in mm unless otherwise stated. Please visit our website for the most up to date information.

Issue 002 | August 2020