

# Solano<sup>®</sup> Eco



A modern and lightweight hydronic fan-assisted unit. Eco to heat open areas such as gyms, schools halls, workshops and showrooms, and Eco MAX for larger open spaces such as industrial units, factories and warehouses



### Features

- Lightweight for easy installation from <11kg to 25.5kg
- High performance heat output up to 93.9kW
- Air volumes up to 5700 m<sup>3</sup>/h and 3 speed fan
- Attractive design
- Solano Eco MAX version developed for use with heat pumps

### Applications

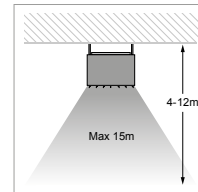
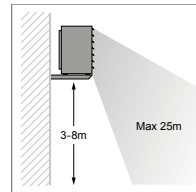
Production and warehouse halls, car showrooms, service stations, sports halls and stadiums, sacral buildings and churches, retail stores and wholesale outlets, agricultural facilities and exhibition surfaces.

### Finish

Expanded Polypropylene (EPP) - Silver grey.

### Installation

Suitable for wall or ceiling mounting. Bracket design aids installation at also 30° and 60°.



### Specification

To specify state:

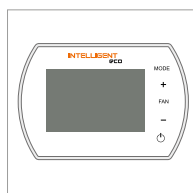
Lightweight hydronic fan-assisted unit heater at 10-35kW/15-50kW/20-70kW. As Smith's Solano Eco.

Lightweight hydronic fan-assisted unit heater at 25-70kW/35-95kW/40-120kW. As Smith's Solano Eco MAX.

### Controls



- Panel COMFORT
- Manual temperature regulation
  - Fan speed change
  - Ventilation in summer season
  - Control up to 3 pcs of HEATER



- Panel INTELLIGENT
- Weekly thermostat
  - Automatic change of fan speed depending on room temperature
  - BMS communication
  - Control up to 2 pcs of HEATER



- Splitter MULTI 6
- Control up to 6 pcs of HEATER

# Solano<sup>®</sup> Eco



A modern and lightweight hydronic fan-assisted unit. Eco to heat open areas such as gyms, schools halls, workshops and showrooms, and Eco MAX for larger open spaces such as industrial units, factories and warehouses

## Technical data

		Heater Eco 1	Heater Eco 2	Heater Eco 3	Heater Eco MAX 1	Heater Eco MAX 2	Heater Eco MAX 3	Heater Eco MIX 1	Heater Eco MIX 2
Heat output range*	kW	10-35	15-50	20-70	25-70	35-95	40-120	-	-
Heat output (90/70°C) / ΔT air temperature increase**	kW/°C	23kW/18°C	39kW/33°C	50kW/48°C	55kW/30°C	74kW/49°C	94kW/60°C	-	-
Heat output (70/50°C) / ΔT air temperature increase**	kW/°C	16kW/13°C	26kW/22°C	35kW/34°C	40kW/22°C	53kW/35°C	68kW/44°C	-	-
Heat output (50/30°C) / ΔT air temperature increase**	kW/°C	9kW/8°C	13kW/11°C	20kW/20°C	25kW/14°C	32kW/21°C	42kW/27°C	-	-
Max air output - III speed	m <sup>3</sup> /h	3900	3350	2950	5700	5600	5100	4800	7200
Sound level I/II/III speed****	dB (A)	44/52/62	41/50/60	39/48/60	41/50/59	40/48/58	40/48/58	36/44/54	31/42/49
Number of coil rows	-	1	2	3	2	3	3	-	-
Max working pressure	Mpa		1.6			1.6		-	-
Max airflow range*****	m	24	21	19	26	25	23	13****	16****
Diameter of connection nozzles	inches		3/4"			3/4"		-	-
Power supply	V/Hz A		230/50 1.08A			230/50 2.2A		230/50 1.08A	230/50 2.2A
Motor power	W		250			520		250	520
Motor speed	rpm		1350			1380		1350	1380
Protection class IP	-		IP54			IP54		IP54	
Weight without water/with water	kg	10.8/11.9	12.7/14.8	14.5/16.9	23.6/25.2	25.2/27.4	25.5/28	9.2	15.8

\* presented heat output for water agent temperature range 50/30°C – 120-90°C, air inlet temperature 0°C, III speed.

\*\* for air inlet temperature 0°C

\*\*\* max height of installation for vertical airflow, max working area 380 m<sup>2</sup> for HEATER MIX 1 and 450 m<sup>2</sup> for HEATER MIX 2 \*\*\*\* measured in distance of 5m

\*\*\*\*\* Horizontal range of isothermal steam at velocity of 0,5m/s

# Solano<sup>®</sup> Eco

Solano Eco 1 is ideal for retail outlets, and smaller gyms as well as small workshops



## Heater Eco 1

inlet/outlet water temperature		water 50/30 °C					water 60/40 °C					water 70/50 °C				
inlet air temperature		0	5	10	15	20	0	5	10	15	20	0	5	10	15	20
High speed - Air flow 3900 m³/h (speed 3)																
heat output	kW	8.7	7.1	5.4	3.6	1.7	12.4	10.8	9.3	7.7	6.1	16.0	14.4	12.9	11.3	9.7
outlet air temperature	°C	7.3	10.5	14.2	17.8	21.3	10.2	14.4	18.5	22.7	26.9	12.8	16.9	21.2	25.3	29.4
water flow	m³/h	0.4	0.3	0.2	0.2	0.1	0.5	0.5	0.4	0.3	0.3	0.7	0.6	0.6	0.5	0.4
pressure drop	kPa	2.8	1.9	1.2	0.6	0.2	4.8	3.8	2.9	2.1	1.4	7.1	5.9	4.8	3.8	2.9
Mid speed - Air flow 2500 m³/h (speed 2)																
heat output	kW	6.7	5.5	4.2	2.1	1.5	9.7	8.5	7.2	6.0	4.7	12.5	11.3	10.0	8.8	7.6
outlet air temperature	°C	8.8	11.6	15.0	17.6	21.8	12.4	16.3	20.2	24.1	28.0	15.6	19.5	23.3	27.2	31.1
water flow	m³/h	0.3	0.2	0.2	0.1	0.1	0.4	0.4	0.3	0.3	0.2	0.5	0.5	0.4	0.4	0.3
pressure drop	kPa	1.8	1.2	0.8	0.2	0.1	3.1	2.4	1.9	1.3	0.9	4.6	3.8	3.1	2.5	1.9
Low speed - Air flow 1850 m³/h (speed 1)																
heat output	kW	5.6	4.5	3.4	2.0	1.4	8.1	7.1	6.1	5.0	3.9	10.5	9.5	8.4	7.4	6.4
outlet air temperature	°C	9.9	12.4	15.5	18.2	22.3	14.0	17.8	21.5	25.1	28.6	17.7	21.4	25.1	28.7	32.3
water flow	m³/h	0.3	0.2	0.2	0.1	0.1	0.4	0.3	0.3	0.2	0.2	0.5	0.4	0.4	0.3	0.3
pressure drop	kPa	1.3	0.9	0.5	0.2	0.1	2.3	1.8	1.4	1.0	0.6	3.4	2.8	2.3	1.8	1.4
High speed - Air flow 3900 m³/h (speed 3)																
inlet/outlet water temperature		water 80/60 °C					water 90/70 °C					water 120/90 °C				
inlet air temperature		0	5	10	15	20	0	5	10	15	20	0	5	10	15	20
High speed - Air flow 3900 m³/h (speed 3)																
heat output	kW	21.1	19.4	17.6	15.9	14.2	23.0	21.4	19.7	17.9	16.1	37.9	35.9	33.9	31.9	29.9
outlet air temperature	°C	17.2	21.7	26.3	30.8	35.5	18.0	25.8	30.7	35.5	40.3	30.7	36.0	41.3	46.6	51.9
water flow	m³/h	0.8	0.8	0.7	0.6	0.6	0.8	0.8	0.7	0.7	0.6	0.9	0.8	0.8	0.7	0.7
pressure drop	kPa	9.7	8.4	7.1	5.9	4.8	9.7	8.7	7.7	6.8	5.9	9.4	8.5	7.7	6.9	6.1
Mid speed - Air flow 2500 m³/h (speed 2)																
heat output	kW	16.4	15.1	13.8	12.4	11.1	21.0	19.5	18.1	16.6	15.2	29.6	28.0	26.5	24.9	23.4
outlet air temperature	°C	20.9	25.2	29.4	33.7	38.0	25.6	30.1	34.6	39.0	43.6	37.4	42.3	47.3	52.2	57.3
water flow	m³/h	0.7	0.6	0.5	0.5	0.4	0.8	0.7	0.7	0.6	0.6	0.7	0.6	0.6	0.6	0.5
pressure drop	kPa	6.3	5.4	4.6	3.8	3.1	8.0	7.1	6.2	5.3	4.5	6.0	5.5	4.9	4.4	4.0
Low speed - Air flow 1850 m³/h (speed 1)																
heat output	kW	13.8	12.7	11.6	10.4	9.3	17.6	16.4	15.2	14.0	12.8	24.8	23.5	22.2	20.9	19.6
outlet air temperature	°C	23.6	27.7	31.8	35.8	39.8	29.0	33.2	37.5	41.8	45.9	42.3	47.0	51.8	56.4	61.2
water flow	m³/h	0.5	0.5	0.5	0.4	0.4	0.6	0.6	0.6	0.5	0.5	0.6	0.5	0.5	0.5	0.4
pressure drop	kPa	4.6	3.9	3.3	2.8	2.3	5.9	5.2	4.5	3.9	3.3	4.4	4.0	3.6	3.2	2.9

## Heater Eco 2

inlet/outlet water temperature		water 50/30 °C					water 60/40 °C					water 70/50 °C				
inlet air temperature	°C	0	5	10	15	20	0	5	10	15	20	0	5	10	15	20
High speed - Air flow 3350 m³/h (speed 3)																
heat output	kW	12.5	10.5	8.4	6.1	2.8	19.6	17.3	15.0	12.6	10.2	26.2	23.7	21.3	18.8	16.3
outlet air temperature	°C	10.7	14.3	16.9	19.5	21.9	16.6	19.0	21.2	23.5	25.8	22.1	24.6	27.1	29.5	32.0
water flow	m³/h	0.7	0.6	0.5	0.3	0.2	1.0	0.8	0.7	0.6	0.5	1.2	1.1	1.0	0.9	0.8
pressure drop	kPa	4.4	3.2	2.1	1.2	0.3	7.2	5.8	4.4	3.3	2.2	10.5	8.8	7.2	5.8	4.5
Mid speed - Air flow 2000 m³/h (speed 2)																
heat output	kW	9.1	7.6	6.0	4.2	2.4	14.2	12.6	10.9	9.2	7.4	19.0	17.2	15.5	13.7	11.9
outlet air temperature	°C	12.9	19.4	21.4	23.0	24.5	20.2	22.1	23.9	25.8	27.7	26.9	28.9	30.9	33.0	35.0
water flow	m³/h	0.5	0.4	0.3	0.2	0.1	0.7	0.6	0.5	0.4	0.4	0.9	0.8	0.7	0.6	0.5
pressure drop	kPa	2.5	1.8	1.2	0.6	0.2	4.1	3.3	2.5	1.9	1.3	5.9	4.9	4.1	3.3	2.6
Low speed - Air flow 1450 m³/h (speed 1)																
heat output	kW	7.3	6.1	4.8	2.9	2.1	11.5	10.2	8.8	7.4	6.0	15.3	13.9	12.5	11.1	9.6
outlet air temperature	°C	14.4	21.0	22.5	22.6	25.5	22.5	24.1	25.8	27.3	28.8	29.9	31.7	33.5	35.2	37.0
water flow	m³/h	0.4	0.3	0.3	0.2	0.1	0.6	0.5	0.4	0.4	0.3	0.7	0.6	0.6	0.5	0.4
pressure drop	kPa	1.7	1.2	0.8	0.3	0.2	2.8	2.2	1.7	1.3	0.9	4.0	3.4	2.8	2.2	1.8
High speed - Air flow 3350 m³/h (speed 3)																
inlet/outlet water temperature		water 80/60 °C					water 90/70 °C					water 120/90 °C				
inlet air temperature	°C	0	5	10	15	20	0	5	10	15	20	0	5	10	15	20
High speed - Air flow 3350 m³/h (speed 3)																
heat output	kW	32.5	30.0	27.5	24.9	22.4	39.3	36.7	34.0	31.4	28.8	53.4	50.7	48.0	45.3	42.6
outlet air temperature	°C	27.2	29.7	32.2	34.8	37.3	32.4	35.0	37.6	40.2	42.7	45.0	47.6	50.4	53.1	55.9
water flow	m³/h	1.5	1.3	1.2	1.1	1.0	1.7	1.6	1.5	1.4	1.2	1.5	1.4	1.3	1.3	1.2
pressure drop	kPa	14.1	12.2	10.4	8.8	7.2	18.2	16.0	14.0	12.1	10.4	13.6	12.4	11.2	10.1	9.0
Mid speed - Air flow 2000 m³/h (speed 2)																
heat output	kW	23.5	21.7	19.9	18.1	16.3	28.4	26.5	24.6	22.7	20.9	38.6	36.7	34.8	32.8	30.9
outlet air temperature	°C	32.9	35.0	37.1	39.2	41.3	39.2	41.4	43.5	45.6	47.8	54.5	56.7	59.0	61.2	63.4
water flow	m³/h	1.1	1.0	0.9	0.8	0.7	1.2	1.1	1.1	1.0	0.9	1.1	1.0	1.0	0.9	0.9
pressure drop	kPa	7.9	6.8	5.8	4.9	4.1	10.1	8.9	7.8	6.8	5.8	7.6	6.9	6.3	5.7	5.1
Low speed - Air flow 1450 m³/h (speed 1)																
heat output	kW	19.0	17.5	16.1	14.6	13.2	22.9	21.4	19.9	18.4	16.9	31.2	29.6	28.1	26.5	25.0
outlet air temperature	°C	36.6	38.4	40.2	42.1	43.9	43.5	45.4	47.3	49.2	51.1	60.6	62.5	64.6	66.5	68.4
water flow	m³/h	0.8	0.8	0.7	0.7	0.6	1.0	0.9	0.9	0.8	0.7	0.9	0.8	0.8	0.7	0.7
pressure drop	kPa	5.4	4.7	4.0	3.4	2.8	6.9	6.1	5.3	4.6	4.0	5.2	4.7	4.3	3.9	3.5

# Solano® Eco

Solano Eco 3 is ideal for production facilities, agricultural facilities, sports halls and exhibition surfaces



## Heater Eco 3

inlet/outlet water temperature		water 50/30 °C					water 60/40 °C					water 70/50 °C				
inlet air temperature		0	5	10	15	20	0	5	10	15	20	0	5	10	15	20
High speed - Air flow 2950 m³/h (speed 3)																
heat output	kW	20.0	17.0	14.0	10.8	7.2	27.9	24.8	21.7	18.6	15.3	35.3	32.1	29.0	25.8	22.6
outlet air temperature	°C	20.1	21.5	22.8	24.0	24.9	27.2	28.8	30.2	31.6	33.0	34.2	35.8	37.3	38.7	40.2
water flow	m³/h	1.0	0.9	0.7	0.5	0.4	1.3	1.2	1.0	0.9	0.7	1.7	1.5	1.4	1.2	1.1
pressure drop	kPa	7.9	5.9	4.1	2.6	1.3	12.5	10.1	8.0	6.0	4.3	17.8	15.0	12.5	10.1	8.0
Mid speed - Air flow 1700 m³/h (speed 2)																
heat output	kW	13.5	11.5	9.4	7.2	3.9	18.7	16.7	14.6	12.6	10.4	23.6	21.5	19.5	17.4	15.3
outlet air temperature	°C	23.9	24.8	25.5	26.3	27.0	32.3	33.2	34.2	35.1	35.9	40.4	41.4	42.4	43.4	44.4
water flow	m³/h	0.7	0.6	0.5	0.4	0.2	0.9	0.8	0.7	0.6	0.5	1.1	1.0	0.9	0.8	0.7
pressure drop	kPa	3.9	2.9	2.0	1.3	0.4	6.1	5.0	3.9	3.0	2.1	8.6	7.3	6.1	5.0	3.9
Low speed - Air flow 1200 m³/h (speed 1)																
heat output	kW	10.4	8.8	7.2	5.4	3.4	14.4	12.9	11.3	9.7	8.0	18.1	16.6	15.0	13.4	11.8
outlet air temperature	°C	26.1	27.9	29.6	31.1	32.3	35.2	36.0	36.6	37.1	37.6	44.0	44.7	45.5	46.2	46.9
water flow	m³/h	0.5	0.4	0.4	0.3	0.2	0.7	0.6	0.5	0.5	0.4	0.9	0.8	0.7	0.6	0.6
pressure drop	kPa	2.4	1.8	1.3	0.8	0.3	3.8	3.1	2.5	1.9	1.3	5.4	4.6	3.8	3.1	2.5

inlet/outlet water temperature		water 80/60 °C					water 90/70 °C					water 120/90 °C				
inlet air temperature		0	5	10	15	20	0	5	10	15	20	0	5	10	15	20
High speed - Air flow 2950 m³/h (speed 3)																
heat output	kW	42.5	39.4	36.2	33.0	29.8	50.1	46.9	43.6	40.4	37.2	67.1	63.8	60.5	57.2	54.0
outlet air temperature	°C	41.0	42.6	44.1	45.7	47.2	47.9	49.5	51.0	52.6	54.1	63.5	65.0	66.5	68.0	69.5
water flow	m³/h	2.0	1.8	1.7	1.5	1.4	2.3	2.1	2.0	1.9	1.7	2.0	1.9	1.8	1.7	1.6
pressure drop	kPa	23.6	20.5	17.6	14.9	12.4	29.9	26.5	23.3	20.3	17.5	22.5	20.6	18.7	16.9	15.2
Mid speed - Air flow 1700 m³/h (speed 2)																
heat output	kW	28.3	26.3	24.2	22.1	20.0	33.3	31.2	29.1	27.0	24.9	44.7	42.5	40.4	38.2	36.1
outlet air temperature	°C	48.3	49.3	50.4	51.4	52.4	56.2	57.3	58.4	59.4	60.5	74.6	75.6	76.7	77.7	78.7
water flow	m³/h	1.3	1.2	1.1	1.0	0.9	1.5	1.4	1.3	1.2	1.1	1.4	1.3	1.2	1.2	1.1
pressure drop	kPa	11.3	9.9	8.5	7.2	6.1	14.3	12.7	11.2	9.8	8.5	10.8	9.9	9.0	8.2	7.4
Low speed - Air flow 1200 m³/h (speed 1)																
heat output	kW	21.7	20.2	18.6	17.0	15.4	25.5	23.9	22.3	20.7	19.1	34.2	32.6	31.0	29.4	27.8
outlet air temperature	°C	54.2	53.3	54.0	54.8	55.5	60.4	61.1	61.9	62.7	63.4	79.6	80.4	81.2	81.9	82.7
water flow	m³/h	1.0	0.9	0.9	0.8	0.7	1.2	1.1	1.0	0.9	0.9	1.0	1.0	0.9	0.9	0.8
pressure drop	kPa	7.0	6.1	5.3	4.5	3.8	8.8	7.9	6.9	6.1	5.3	6.7	6.1	5.6	5.1	4.6

Solano Eco MAX 1 is ideal for gyms, retail outlets, smaller car showrooms and medium sized workshops  
Developed for use with Heat Pumps

## Heater Eco MAX 1

inlet/outlet water temperature		water 50/30 °C					water 60/40 °C					water 70/50 °C					
inlet air temperature		°C	0	5	10	15	20	0	5	10	15	20	0	5	10	15	20
High speed - Air flow 5700 m <sup>3</sup> /h (speed 3)																	
heat output	kW	24.5	20.5	16.5	12.3	7.5	32.2	28.3	24.5	20.6	16.7	39.7	35.9	32.0	28.3	24.5	
outlet air temperature	°C	13.7	16.8	19.8	22.7	25.0	18.0	21.1	24.2	27.3	30.2	22.3	25.5	28.6	31.7	34.8	
water flow	m <sup>3</sup> /h	0.8	0.6	0.5	0.4	0.2	1.0	0.9	0.8	0.7	0.5	1.3	1.2	1.0	0.9	0.8	
pressure drop	kPa	3.5	2.5	1.7	0.9	0.3	5.8	4.6	3.5	2.6	1.8	8.4	7.0	5.7	4.5	3.5	
Mid speed - Air flow 3900 m <sup>3</sup> /h (speed 2)																	
heat output	kW	19.6	16.4	13.1	9.7	4.4	25.7	22.6	19.5	16.5	13.4	31.7	28.6	25.6	22.6	19.6	
outlet air temperature	°C	15.9	18.6	21.3	23.7	24.4	20.9	23.7	26.6	29.2	31.8	25.9	28.8	31.6	34.5	37.2	
water flow	m <sup>3</sup> /h	0.9	0.8	0.6	0.5	0.2	1.3	1.1	1.0	0.8	0.7	1.6	1.4	1.3	1.1	1.0	
pressure drop	kPa	5.1	3.7	2.5	1.4	0.4	8.5	6.7	5.2	3.8	2.6	12.3	10.2	8.3	6.7	5.1	
Low speed - Air flow 2800 m <sup>3</sup> /h (speed 1)																	
heat output	kW	15.9	13.3	10.6	7.7	4.0	20.9	18.4	15.9	13.4	10.8	25.6	23.2	20.7	18.3	15.9	
outlet air temperature	°C	18.0	20.4	22.7	24.5	25.4	23.6	26.2	28.7	31.0	33.3	29.2	31.9	34.5	37.0	39.4	
water flow	m <sup>3</sup> /h	0.8	0.6	0.5	0.4	0.2	1.0	0.9	0.8	0.7	0.5	1.3	1.2	1.0	0.9	0.8	
pressure drop	kPa	3.5	2.5	1.7	0.9	0.3	5.8	4.6	3.5	2.6	1.8	8.4	7.0	5.7	4.5	3.5	
High speed - Air flow 5700 m <sup>3</sup> /h (speed 3)																	
heat output	kW	47.5	43.6	39.8	36.0	32.2	55.0	51.1	47.2	43.4	39.6	72.4	68.5	64.5	60.6	56.8	
outlet air temperature	°C	26.0	29.2	32.3	35.4	38.4	30.1	33.3	36.4	39.5	42.6	39.3	42.6	45.9	49.1	52.2	
water flow	m <sup>3</sup> /h	1.5	1.4	1.3	1.2	1.0	1.8	1.7	1.5	1.4	1.3	1.6	1.5	1.4	1.3	1.3	
pressure drop	kPa	11.3	9.7	8.2	6.8	5.6	14.5	12.7	11.0	9.4	8.0	10.9	9.8	8.8	7.9	7.0	
Mid speed - Air flow 3900 m <sup>3</sup> /h (speed 2)																	
heat output	kW	37.8	34.7	31.7	28.7	25.7	43.7	40.6	37.6	34.5	31.5	57.4	54.3	51.1	48.0	45.0	
outlet air temperature	°C	30.2	33.1	36.0	38.7	41.5	34.9	37.8	40.7	43.5	46.3	45.8	48.8	51.9	54.8	57.7	
water flow	m <sup>3</sup> /h	1.9	1.8	1.6	1.4	1.3	2.2	2.1	1.9	1.8	1.6	2.0	1.9	1.8	1.7	1.5	
pressure drop	kPa	16.6	14.2	12.0	10.0	8.2	21.4	18.7	16.2	13.9	11.8	16.1	14.5	13.0	11.6	10.3	
Low speed - Air flow 2800 m <sup>3</sup> /h (speed 1)																	
heat output	kW	30.6	28.1	25.6	23.2	20.8	35.3	32.8	30.4	27.9	25.5	46.5	43.9	41.3	38.9	36.4	
outlet air temperature	°C	34.0	36.8	39.3	41.8	44.2	39.3	42.0	44.6	47.1	49.7	51.5	54.5	57.2	59.9	62.5	
water flow	m <sup>3</sup> /h	1.5	1.4	1.3	1.2	1.0	1.8	1.7	1.5	1.4	1.3	1.6	1.5	1.4	1.3	1.3	
pressure drop	kPa	11.3	9.7	8.2	6.8	5.6	14.5	12.7	11.0	9.4	8.0	10.9	9.8	8.8	7.9	7.0	

# Solano<sup>®</sup> Eco



Solano Eco MAX 2 is ideal for medium sized open areas such as churches, larger retail outlets, school halls and larger car showrooms

Developed for use with Heat Pumps

## Heater Eco MAX 2

inlet/outlet water temperature		water 50/30 °C					water 60/40 °C					water 70/50 °C				
inlet air temperature		0	5	10	15	20	0	5	10	15	20	0	5	10	15	20
High speed - Air flow 5600 m³/h (speed 3)																
heat output	kW	31.9	27.0	22.2	17.2	11.8	41.6	36.8	32.0	27.3	22.5	53.0	48.0	43.1	38.2	33.3
outlet air temperature	°C	20.9	24.8	28.4	31.9	35.1	27.3	31.4	35.5	39.3	43.2	35.0	39.3	43.3	47.4	51.3
water flow	m³/h	1.4	1.2	0.9	0.7	0.5	1.7	1.5	1.3	1.1	0.9	2.2	2.0	1.8	1.6	1.4
pressure drop	kPa	10.5	7.8	5.4	3.4	1.7	15.9	12.7	9.9	7.4	5.2	23.7	19.8	16.3	13.1	10.2
Mid speed - Air flow 3800 m³/h (speed 2)																
heat output	kW	25.3	21.4	17.5	13.5	9.0	32.9	29.1	25.3	21.6	17.8	41.9	37.9	34.0	30.2	26.4
outlet air temperature	°C	24.2	27.6	30.8	33.8	36.0	31.6	35.3	38.9	42.3	45.6	40.4	44.3	47.9	51.5	55.0
water flow	m³/h	1.1	0.9	0.7	0.6	0.4	1.4	1.2	1.1	0.9	0.7	1.7	1.6	1.4	1.3	1.1
pressure drop	kPa	6.9	5.1	3.6	2.2	1.1	10.4	8.3	6.5	4.8	3.4	15.4	12.9	10.6	8.5	6.7
Low speed - Air flow 2750 m³/h (speed 1)																
heat output	kW	20.1	17.3	14.1	10.8	6.1	26.5	23.5	20.4	17.4	14.4	33.7	30.5	27.4	24.3	21.2
outlet air temperature	°C	27.2	30.1	32.8	35.2	35.5	35.5	38.8	41.9	45.1	47.8	45.3	48.8	52.1	55.1	58.2
water flow	m³/h	0.9	0.7	0.6	0.5	0.3	1.1	1.0	0.9	0.7	0.6	1.4	1.3	1.1	1.0	0.9
pressure drop	kPa	4.7	3.5	2.4	1.5	0.5	7.0	5.6	4.4	3.3	2.3	10.4	8.7	7.2	5.8	4.5

inlet/outlet water temperature		water 80/60 °C					water 90/70 °C					water 120/90 °C				
inlet air temperature		0	5	10	15	20	0	5	10	15	20	0	5	10	15	20
High speed - Air flow 5600 m³/h (speed 3)																
heat output	kW	61.9	57.0	52.1	47.3	42.5	74.2	69.0	63.9	58.9	53.9	96.6	91.4	86.3	81.2	76.2
outlet air temperature	°C	41.0	45.5	49.9	54.1	58.2	49.1	53.5	57.9	62.2	66.4	63.2	68.1	72.6	77.2	81.8
water flow	m³/h	2.6	2.4	2.2	2.0	1.8	3.1	2.8	2.6	2.4	2.2	2.6	2.5	2.4	2.2	2.1
pressure drop	kPa	30.1	25.9	22.0	18.4	15.2	40.3	35.3	30.7	26.5	22.5	28.9	26.1	23.5	21.0	18.7
Mid speed - Air flow 3800 m³/h (speed 2)																
heat output	kW	48.9	45.0	41.1	37.3	33.5	58.4	54.3	50.3	46.4	42.4	76.2	72.1	68.0	64.0	60.0
outlet air temperature	°C	47.4	51.5	55.4	59.2	62.9	56.5	60.6	64.6	68.4	72.1	72.9	77.4	81.7	85.8	89.8
water flow	m³/h	2.0	1.9	1.7	1.5	1.4	2.4	2.2	2.1	1.9	1.8	2.1	2.0	1.9	1.7	1.6
pressure drop	kPa	19.6	16.8	14.3	12.0	9.9	26.1	22.9	19.9	17.1	14.6	18.7	16.9	15.2	13.6	12.1
Low speed - Air flow 2750 m³/h (speed 1)																
heat output	kW	39.3	36.2	33.1	30.0	27.0	46.9	43.7	40.4	37.2	34.1	61.3	58.0	54.7	51.4	48.2
outlet air temperature	°C	53.2	56.8	60.3	63.7	67.1	63.1	66.8	70.5	73.9	77.3	81.7	85.8	89.7	93.5	97.1
water flow	m³/h	1.6	1.5	1.4	1.2	1.1	1.9	1.8	1.7	1.5	1.4	1.7	1.6	1.5	1.4	1.3
pressure drop	kPa	13.2	11.3	9.6	8.1	6.7	17.5	15.3	13.3	11.5	9.8	12.6	11.4	10.2	9.2	8.1

# Solano<sup>®</sup> Eco



Solano Eco MAX 3 is ideal for larger sized open areas such as industrial units, warehouses, sports facilities and exhibition surfaces

Developed for use with Heat Pumps

## Heater Eco MAX 3

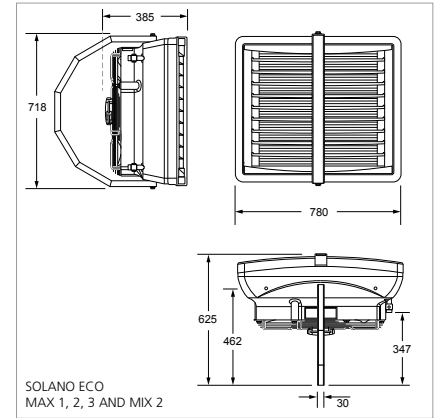
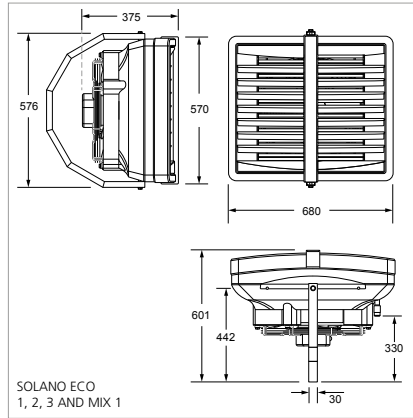
inlet/outlet water temperature		water 50/30 °C					water 60/40 °C					water 70/50 °C					
inlet air temperature		°C	0	5	10	15	20	0	5	10	15	20	0	5	10	15	20
High speed - Air flow 5100 m³/h (speed 3)																	
heat output	kW	42.1	35.7	29.3	22.9	16.0	54.1	47.9	41.7	35.5	29.3	68.3	61.9	55.5	49.2	42.9	
outlet air temperature	°C	26.9	29.8	32.6	35.3	37.6	34.7	38.1	41.2	44.3	47.1	44.1	47.5	50.6	53.8	56.8	
water flow	m³/h	1.6	1.4	1.1	0.9	0.6	2.1	1.8	1.6	1.4	1.1	2.6	2.4	2.1	1.9	1.6	
pressure drop	kPa	14.3	10.7	7.5	4.8	2.5	21.6	17.3	13.5	10.1	7.2	32.1	26.8	22.0	17.7	13.8	
Mid speed - Air flow 3400 m³/h (speed 2)																	
heat output	kW	32.3	27.4	22.5	17.5	12.1	41.4	36.7	32.0	27.3	22.5	52.2	47.2	42.4	37.6	32.9	
outlet air temperature	°C	30.9	33.3	35.6	37.6	39.0	39.8	42.7	45.4	47.8	50.2	50.5	53.4	56.1	58.7	61.1	
water flow	m³/h	1.2	1.1	0.9	0.7	0.5	1.6	1.4	1.2	1.0	0.9	2.0	1.8	1.6	1.4	1.3	
pressure drop	kPa	8.9	6.6	4.6	2.9	1.5	13.3	10.7	8.3	6.3	4.4	19.6	16.4	13.5	10.9	8.5	
Low speed - Air flow 2400 m³/h (speed 1)																	
heat output	kW	25.3	21.5	17.6	13.6	9.0	32.4	28.7	25.0	21.4	17.7	40.7	36.9	33.1	29.4	25.7	
outlet air temperature	°C	34.4	36.4	38.1	39.4	39.7	44.4	46.7	49.0	51.0	52.8	56.1	58.4	60.7	62.9	64.9	
water flow	m³/h	1.0	0.8	0.7	0.5	0.3	1.2	1.1	1.0	0.8	0.7	1.6	1.4	1.3	1.1	1.0	
pressure drop	kPa	5.7	4.2	3.0	1.9	0.9	8.6	6.9	5.4	4.0	2.9	12.5	10.5	8.6	6.9	5.4	
High speed - Air flow 5100 m³/h (speed 3)																	
inlet/outlet water temperature		water 80/60 °C					water 90/70 °C					water 120/90 °C					
inlet air temperature		°C	0	5	10	15	20	0	5	10	15	20	0	5	10	15	20
High speed - Air flow 5100 m³/h (speed 3)																	
heat output	kW	79.5	73.1	66.8	60.6	54.4	93.9	87.3	80.8	74.4	68.0	121.6	115.0	108.4	101.9	95.5	
outlet air temperature	°C	51.0	54.5	57.9	61.2	64.5	60.1	63.6	67.0	70.4	73.5	78.0	81.8	85.5	89.2	92.6	
water flow	m³/h	3.0	2.8	2.6	2.3	2.1	3.6	3.4	3.1	2.9	2.6	3.1	3.0	2.8	2.6	2.5	
pressure drop	kPa	40.8	35.1	29.8	24.9	20.5	54.3	47.5	41.3	35.5	30.2	39.2	35.4	31.8	28.4	25.2	
Mid speed - Air flow 3400 m³/h (speed 2)																	
heat output	kW	60.6	55.8	51.0	46.2	41.5	71.5	66.4	61.5	56.6	51.7	92.8	87.7	82.6	77.7	72.8	
outlet air temperature	°C	58.3	61.3	64.3	67.0	69.8	68.5	71.6	74.5	77.3	80.0	89.1	92.5	95.8	98.9	101.9	
water flow	m³/h	2.3	2.1	1.9	1.8	1.6	2.7	2.6	2.4	2.2	2.0	2.4	2.3	2.1	2.0	1.9	
pressure drop	kPa	25.0	21.4	18.2	15.3	12.6	33.0	28.9	25.1	21.6	18.3	23.9	21.6	19.4	17.3	15.4	
Low speed - Air flow 2400 m³/h (speed 1)																	
heat output	kW	47.3	43.5	39.7	36.1	32.4	55.6	51.6	47.8	44.0	40.2	72.3	68.3	64.4	60.5	56.7	
outlet air temperature	°C	64.6	67.3	69.8	72.2	74.4	75.8	78.4	81.0	83.4	85.6	98.8	101.8	104.7	107.3	109.9	
water flow	m³/h	1.8	1.7	1.5	1.4	1.2	2.1	2.0	1.8	1.7	1.5	1.9	1.8	1.7	1.6	1.5	
pressure drop	kPa	15.9	13.6	11.6	9.7	8.0	20.9	18.3	15.9	13.6	11.6	15.2	13.7	12.3	11.0	9.7	



# Solano<sup>®</sup> Eco



A modern and lightweight hydronic fan-assisted unit heater to heat open areas such as production and warehouses, car showrooms, service stations, sports halls and agricultural facilities



## Ordering guide

Model	Wt (kg)	Product Codes
SOLANO ECO 1 (Incl mounting bracket)	10.8/11.9	HPUH310030
SOLANO ECO 2 (Incl mounting bracket)	12.7/14.8	HPUH310031
SOLANO ECO 3 (Incl mounting bracket)	14.5/16.9	HPUH310032
SOLANO ECO MAX 1 (Incl mounting bracket)	23.6/25.2	HPUH310033
SOLANO ECO MAX 2 (Incl mounting bracket)	25.2/27.4	HPUH310034
SOLANO ECO MAX 3 (Incl mounting bracket)	25.5/28.0	HPUH310035
SOLANO MIX 1 (Incl mounting bracket)	9.2	HPUH310004
SOLANO MIX 2 (Incl mounting bracket)	15.8	HPUH310036

Accessories	Product Codes
SOLANO INSTALLATION BRACKET (ECO 1, 2, 3 AND MIX 1)	HPUH310005
SOLANO MAX INSTALLATION BRACKET (MAX 1, 2, 3 AND MIX 2)	HPUH310037
PANEL INTELLIGENT THERMOSTAT	HPUH310008
PANEL INTELLIGENT REMOTE SENSOR	HPUH310038
PANEL COMFORT - SPEED REGULATION & THERMOSTAT	HPUH310009
MULTI 6 SPLITTER	HPUH310010
ELASTIC CONNECTION FOR HEATING MEDIUM (PAIR)	HPUH310029
ACTUATOR TS LITE M30X1.5	HPUH310006
VALVE ASP/SSP KVS 5,5	HPUH310007

As part our commitment to continuous improvement Smith's Environmental Products may change the specifications of its products without prior notification or public announcement. All descriptions, illustrations, drawings and specifications in this publication present only general particulars and shall not form part of any contract. All dimensions are in mm unless otherwise stated. Please visit our website for the most up to date information.

Issue 001 | April 2021