



Providing comfort for the built environment





Why choose Smith's?

If you require energy efficiency and versatility in your heating and cooling, the Smith's range is the ideal solution

For over twenty-five years, Smith's EP UK has been manufacturing and providing an extensive range of commercial and domestic heating and cooling solutions from our head office in the UK. Part of the global family-owned US-based business, the Swan Group, Smith's works closely with architects, consultants, heating contractors and installers to deliver, via our stockist network, high quality products with industry-leading warranties on time, with an aftercare and technical support service that is second to none.

We take an active, innovative approach to new product development and creating bespoke heating products to fulfil the creative requirements of a competitive and demanding customer base that spans the UK, Northern Europe and the US. We believe it is essential to be flexible in our partnerships, while remaining uncompromising on the high quality and care that goes into every product in our range. Smith's is an outward-looking, growing business and we are forging relationships with like-minded manufacturers across Europe to ensure that we can provide additional new and essential heating and cooling solutions in areas where we do not specialise and where our partners excel.

Our catalogue showcases our principal commercial and domestic products. At the same time, we have the ability and the will to work alongside clients at any point in the construction process, and collaborate to develop specific solutions for any and every need. We take great pride and go to great lengths to leave our customers not only satisfied but coming back again and again for solutions that are perfect for your project, each and every time.



Gary Haynes MBA, B.Eng.(Hons)
Managing Director

#ThinkSmiths

About Smith's	4
Contents - Commercial	6
Contents - Residential/Domestic	7
Commercial Applications	
Caspian Fan Convectors	10
Fan Coils	24
MINIB by Smith's	32
Radiant Panels	34
Air Curtains	38
Unit Heater	42
Pedestal Radiators	44
Fan Convectors	46
Perimeter Heating	52
Residential/Domestic Applications	
Plinth Heating	54
Fan Convectors	60
Perimeter Heating	66
Circulating Pumps	68
Accessories	69
Controls Matrix	70

About Smith's

Founded in 1991 Smith's Environmental Products has grown to become the leading supplier of domestic and commercial heat emitters



Smith's Environmental Products is a member of The Swan Group. Headquartered in Boston, Massachusetts, the Swan Group comprises all of the businesses owned and operated by the Swan Family plus a portfolio of commercial real estate. These include Emerson Swan, Emerson Swan Canada, Flexcon Industries, Global Water Solutions, Skidmore Pump, Smith's Environmental Products US, Smith's Environmental Products UK, Vent-Rite Valve, Vent-Rite Pump and The Swan Realty Group. The businesses manufacture and distribute heating, plumbing and water products globally. The Swan Group has manufacturing operations in Asia, North America and Europe, and sales offices throughout the world.

Most of our products are manufactured in-house in our specialist facility in the UK. The company is the UK's market leader and has significant shares of both the North American and European markets.

Early on we developed the Smith's Space Saver, the UK's number one plinth heater and the business quickly became established in heating & plumbing. Other fan convectors followed and the very first Caspian commercial fan convector was launched in 2007.

Our ambitions have never been modest. The business has grown from strength to strength and today we offer versatile heating solutions based on fan convector technology to all commercial specifiers from architects and consultants, to major building engineering services companies. Our range of Caspian commercial fan convectors can provide products for virtually every heating scenario, with the Smith's high quality and service excellence people have come to expect.

For 2018 we have re-launched our extensive range of updated Fan Coils Units called Aegean. Tested and verified by BSRIA they provide an excellent solution to heating and cooling for all kinds of commercial applications, from restaurants and hotels to office developments, with the ability to rapidly heat and cool large areas with much greater efficiency than other similar heating and cooling systems.

In addition to Aegean we have launched a range of Radiant Panels called Sargasso, further extending our aim to be a solution provider for heating and cooling projects in commercial applications. Not a company to rest on its laurels Smith's will be introducing further products to complement its existing range of heating and cooling products in 2018.



Space Saver



Caspian



Aegean



Sargasso



Manufacturing Facilities

Operating from 40,000 square feet of factory and office space near Chelmsford in Essex we manufacture our product range from raw materials through to finished product utilising computerised design and automated production techniques. We are happy to welcome customers to visit our factory and Head Office to demonstrate our capabilities.

In the last 2 years we have implemented some key initiatives to improve productivity and to ensure the quality continues to meet the highest standards.

Lean initiatives such as Kaizen, or continuous improvement process, have brought significant improvements in the factory. Ongoing initiatives such as the implementation of the gemba walk continue drive innovation and to maximize the improvement process.

Quality

At Smith's we recognise that quality is about more than just the product, it's an approach that runs throughout the business and is centred on meeting and exceeding customers' expectations. Processes are constantly monitored and evaluated with a focus on continuous improvement. Manufacturing facilities are regularly appraised and meet exacting standards of national approval boards such as UL, BSI and Kema.

In 2017 Smith's were assessed for the highly regarded ISO 9001 (2015) accreditation and passed the audit with no non-conformities and was accredited the new standard certification. It brings Smith's up to the latest standard and assuring our customers receive the best experience possible.

Expertise

The team at Smith's have many years experience in managing and delivering major projects including high profile airport terminals, major national stadia, ground-up hospital trust projects, major BSF projects and MOD projects. We also have significant expertise and experience in trench heating and have a team who have over 25-years experience in the development and delivery of trench projects.

Special Products

As part of the Smith's service we can modify current products, we call them modified standards. An example of this is a different RAL colour to the standard colour. Another example would be to add 2-port diverter valves to the flow pipe to the heat exchanger and a check valve on the return pipe on a Caspian Fan Convector. This would allow individual control of the Caspian, permitting zoning when used in conjunction with heating controls. Smith's also offer a bespoke custom product service where we design and develop bespoke custom product solutions to customer requirements. We work with customers to understand their specific requirements.

Working with Renewables

Renewable technology grows apace, with ground source and air source heat pumps offering a viable alternative to boilers as the principal heat generator in both domestic and commercial applications.

Inherent in the heat pump's design is that the smaller the temperature between the heat-source pump (air or ground) and the heat sink/emitter (under-floor heating, fan convector, radiator), the higher the energy efficiency of that heat pump. This higher efficiency means lower fuel bills and greater carbon savings.

Fan convectors can work very effectively at system temperatures as low as 40°C. This allows your chosen heat pump to work close to its maximum levels of efficiency, which means it will reduce the user's energy costs and energy consumption in the way it was intended. By contrast a standard radiator is designed to be efficient at higher temperatures, 45°C and above, which automatically reduces the heat pump's efficiency by more than 10%. In addition the size of the radiator has to be increased significantly to cope with the lower system temperatures.

Product ranges

Please see below for a summary of products suitable for commercial applications

Caspian Fan Convector



Caspian UV 10



Caspian SL 11



Caspian FF 12



Caspian TT 13



Caspian EXT 14



Caspian LST 16

Caspian Fan Convector



Caspian Skyline 18



Caspian UVC 20

Fan Coils



Aegean 180 24



Aegean 235 26



Aegean 260 28



Aegean 500 30

MINIB by Smith's



MINIB by Smith's 32

Radiant Panels



Sargasso A 34



Sargasso S 36

Air Curtains



Stella 38



S2/S2 Metallic 39



PS Series 40



PS (W) 41

Unit Heater



Solano 42

Pedestal Radiators



Pedestal - Kiosk 44



Pedestal - Trafalgar 44



Pedestal - Tube 44

Fan Convector



Ecovector® High 46



Ecovector® Low 47



Ecovector® Vertical 48

Fan Convector



Eco-Powerad® 49



Sterling 50



Skyline® 51

Perimeter Heating



Sureline® 52

Please see below for a summary of products suitable for residential/domestic applications

Plinth Heating



Space Saver 54

Fan Convectors



Ecovector® High 60



Ecovector® Low 61



Ecovector® Vertical 62



Eco-Powerad® 63



Spacemaker 64

Perimeter Heating



Sureline® 66

Circulating Pumps



Circulating Pumps 68



Caspian Commercial

Fan convectors suitable for all kinds of commercial applications, from schools and churches to office developments, with the ability to rapidly heat large areas quickly with much greater efficiency than other heat emitters

Applications

Education
Healthcare
Places of worship
Leisure and sport
Office
Hospitality
Retail
Showroom
Industrial



Features

- Caspian fan convectors are both a practical and high quality heating solution for any commercial project
- Incorporating the latest EC motor technology, which can result in running-cost savings as high as 80%, and with variable speed control as standard, the Caspian delivers heat quickly and quietly. AC motor models are available on request
- Caspian are compatible with most types of wet central heating systems, functioning equally efficiently with conventional boilers, biomass technology or ground or air source heat pumps
- The airflow can be reversed so that the warm air is discharged from the lower vent

Motor

EC (BMS compliant) or AC

Finish

Casing: zinc-coated steel 1.2mm
Polyester powdercoated: white RAL 9010
Available to special order in any colour and with anti-microbial or anti-bacterial paint

Filter

Class G3, 100% polyester, non-washable

Installation

Suitable for two-pipe central heating systems
Maximum installation height for high or ceiling mounting, - 4m to underside
Pipework access holes on the rear and underside
Key operated front access panels
Bleed valve accessible on removal of front casing
Unit must be earthed

Commissioning

Check water is hot enough to activate the low temperature cut-out thermostat

Controls

Variable heat output controller (mounted within the products)

Accessories

See matrix on page 70

Heat output For other heat output data please visit our website

Model	Heat Output at 75°			Heat Output at 45°		
	Low (kW)	Medium (kW)	High (kW)	Low (kW)	Medium (kW)	High (kW)
Caspian 60	2.9	4.1	5.3	1.1	1.5	1.9
Caspian 90	4.8	7.2	9.6	2.0	3.1	4.1
Caspian 120	6.1	9.7	13.2	2.0	3.7	5.4
Caspian 150	13.7	14.2	15.2	6.2	6.9	7.5
Caspian 180	16.2	17.0	18.0	8.4	9.1	9.4

Heat output testing based on BS EN442 using mean water temperature, 18°C entering air temperature, 10° temperature drop

Model	Flow & return connections	Fused spur	Total Power Consumption				Sound Levels			Casting colour
			Low (Watts)	Medium (Watts)	High (Watts)	Water Capacity (Litres)	High (dBA)	Medium (dBA)	Low (dBA)	
Caspian 60	22mm	3A	8	24	40	0.92	50	42	33	white
Caspian 90	22mm	3A	15	43	70	1.50	53	42	34	white
Caspian 120	22mm	3A	13	62	110	2.08	58	46	35	white
Caspian 150	22mm	3A	20	144	177	2.58	59	47	36	white
Caspian 180	22mm	3A	26	124	220	3.18	59	48	38	white

Sound levels measured at 3m in front of the floor mounted model

Correction factors

EAT°C	Mean water temperature °C		Temperature drop °C				
	80 to 40		20	15	10	5	
15	1.10		Factor	0.89	0.95	1.00	1.04
21	0.93						

How to calculate Mass Flow Rate (L/S)

$$M = H / CP \times (\text{Flow } ^\circ\text{C} - \text{Return } ^\circ\text{C})$$

M = Mass flow rate (L/S)

H = Output of product (W)

CP = Specific heat capacity [J/(kg:°C)]. Varies upon system temperature, Approx. 4187 if fluid is water.

How to calculate Mean Water Temperature (ΔT)

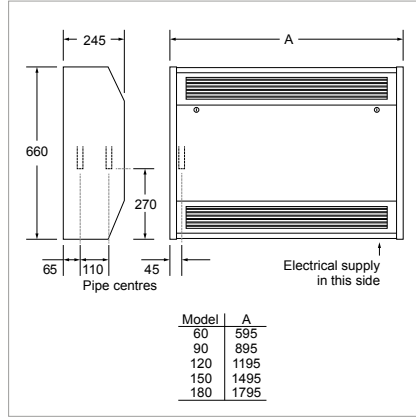
$$\text{Mean water temperature } (\Delta T) = \left[\frac{\text{Flow temperature} + \text{Return temperature}}{2} \right] - \text{Ambient Temperature}$$

Caspian UV

One heating solution, suitable for high, low or ceiling mounted applications

Applications

- Education
- Healthcare
- Places of worship
- Leisure and sport
- Office
- Hospitality
- Retail
- Showroom
- Industrial



Ordering guide

Model	Packed Wt (kg)	Product Codes
AC Codes		
Caspian UV 60	23	HPCA21001
Caspian UV 90	36	HPCA21002
Caspian UV 120	45	HPCA21003
Caspian UV 150	60	HPCA21004
Caspian UV 180	78	HPCA21005
EC Codes		
Caspian UV 60	23	HPCA20001
Caspian UV 90	36	HPCA20002
Caspian UV 120	45	HPCA20003
Caspian UV 150	60	HPCA20004
Caspian UV 180	78	HPCA20005

Specification

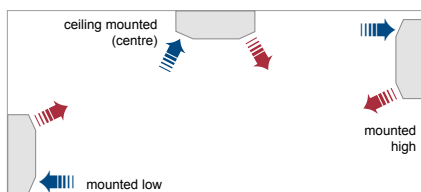
To specify state:

Fan Convecter with EC motor (or AC), in 1.2mm zinc coated steel, 660mm high and 595mm, 895mm, 1195mm, 1495mm or 1795mm wide. With variable heat output controller. As Smith's Caspian UV 60/90/120/150/180.

Accessories	Product Codes
Plinth to suit low level 60 models - 150mm high (White)	HACA33006
Plinth to suit low level 90 models - 150mm high (White)	HACA33007
Plinth to suit low level 120 models - 150mm high (White)	HACA33008
Plinth to suit low level 150 models - 150mm high (White)	HACA33009
Plinth to suit low level 180 models - 150mm high (White)	HACA33010
Plinth to suit low level 60 models - 150mm high (Black)	HACA33097
Plinth to suit low level 90 models - 150mm high (Black)	HACA33098
Plinth to suit low level 120 models - 150mm high (Black)	HACA33099
Plinth to suit low level 150 models - 150mm high (Black)	HACA33100
Plinth to suit low level 180 models - 150mm high (Black)	HACA33101
Adjustable low temperature cut-out (all Caspian models)	HACA33001
Thermostat T1 (low level models with AC or EC Motors)	HACA33002
Thermostat T2 (low level models with AC Motors)	HACA33036
Thermostat (T1) & auto-speed Control (T2) (Low level models with AC motors)	HACA33003
External Control Harness (models with EC motors)	HHCA33004
Caspian EC linking kit (Alt to EXTCH)	HACA33068
Proportional Heat Output Controller (models with EC motors) 15°-25°C (low level only)	HACA33005
Proportional Heat Output Controller (models with EC motors) Remote Sensor 15°-25°C	HACA33037
Proportional Heat Output Controller (models with EC motors) 11°-21°C (low level only)	HACA33075
Proportional Heat Output Controller (models with EC motors) Remote Sensor 11°-21°C	HACA33076
Remote (Wired) Room Thermostat	HAGA95001
Remote (Wired) Room Thermostat Siemens	HACA33077
Remote (Wireless) Room Thermostat Siemens RF	HACA33074
Remote (Wired) Room Thermostat Siemens Tamper Proof	HAGA95004
Remote (Wired) Room Thermostat Siemens Speed and Temperature Control (EC only)	HACA33078
22mm flexible hoses (pair)	HAGA95003

100mm plinth also available, please contact us for further information

Mounting options



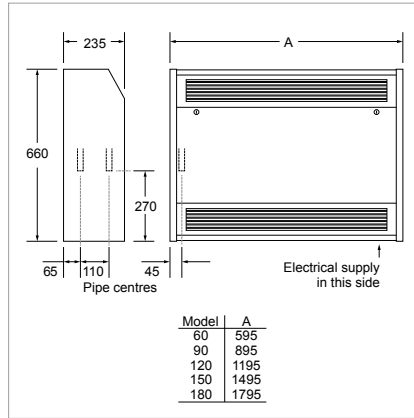
Caspian SL

Warm air is discharged at an upward 45° angle to avoid causing discomfort to people sitting adjacent to appliance and with chamfered profile to avoid sharp corners

Applications

Education
Healthcare
Places of worship
Leisure and sport
Office
Hospitality
Retail
Showroom
Industrial

COMMERCIAL



Ordering guide

Model	Packed Wt (kg)	Product Codes
AC Codes		
Caspian SL 60	23	HPCA14001
Caspian SL 90	36	HPCA14002
Caspian SL 120	45	HPCA14003
Caspian SL 150	60	HPCA14004
Caspian SL 180	78	HPCA14005
EC Codes		
Caspian SL 60	23	HPCA13001
Caspian SL 90	36	HPCA13002
Caspian SL 120	45	HPCA13003
Caspian SL 150	60	HPCA13004
Caspian SL 180	78	HPCA13005

Specification

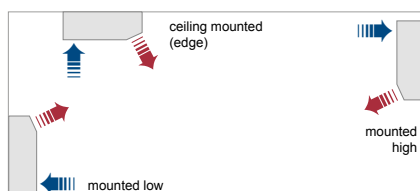
To specify state:

Fan Convecter with EC motor (or AC), in 1.2mm zinc coated steel, 660mm high and 595mm, 895mm, 1195mm, 1495mm or 1795mm wide. With variable heat output controller. As Smith's Caspian SL 60/90/120/150/180.

Accessories	Product Codes
Plinth to suit low level 60 models - 150mm high (White)	HACA33092
Plinth to suit low level 90 models - 150mm high (White)	HACA33093
Plinth to suit low level 120 models - 150mm high (White)	HACA33094
Plinth to suit low level 150 models - 150mm high (White)	HACA33095
Plinth to suit low level 180 models - 150mm high (White)	HACA33096
Plinth to suit low level 60 models - 150mm high (Black)	HACA33082
Plinth to suit low level 90 models - 150mm high (Black)	HACA33083
Plinth to suit low level 120 models - 150mm high (Black)	HACA33084
Plinth to suit low level 150 models - 150mm high (Black)	HACA33085
Plinth to suit low level 180 models - 150mm high (Black)	HACA33086
Adjustable low temperature cut-out (all Caspian models)	HACA33001
Thermostat T1 (low level models with AC or EC Motors)	HACA33002
Thermostat T2 (low level models with AC Motors)	HACA33036
Thermostat (T1) & auto-speed Control (T2) (Low level models with AC motors)	HACA33003
External Control Harness (models with EC motors)	HHCA33004
Caspian EC linking kit (Alt to EXTCH)	HACA33068
Proportional Heat Output Controller (models with EC motors) 15°-25°C (low level only)	HACA33005
Proportional Heat Output Controller (models with EC motors) Remote Sensor 15°-25°C	HACA33037
Proportional Heat Output Controller (models with EC motors) 11°-21°C (low level only)	HACA33075
Proportional Heat Output Controller (models with EC motors) Remote Sensor 11°-21°C	HACA33076
Remote (Wired) Room Thermostat	HAGA95001
Remote (Wired) Room Thermostat Siemens	HACA33077
Remote (Wireless) Room Thermostat Siemens RF	HACA33074
Remote (Wired) Room Thermostat Siemens Tamper Proof	HAGA95004
Remote (Wired) Room Thermostat Siemens Speed and Temperature Control (EC only)	HACA33078
22mm flexible hoses (pair)	HAGA95003

100mm plinth also available, please contact us for further information

Mounting options

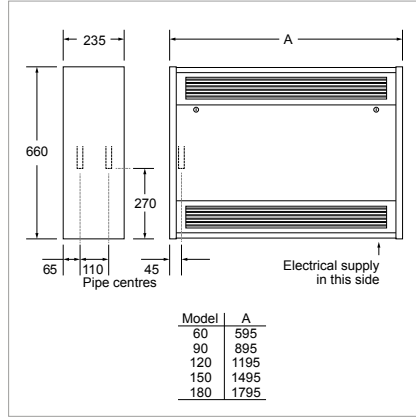


Caspian FF

Can be installed in an adjacent room, or storage cupboard, with the warm air outlets positioned at the rear of the appliance and ducted into the adjacent room such as a sports hall or even a narrow corridor, permitting an obstruction free wall space

Applications

- Education
- Healthcare
- Places of worship
- Leisure and sport
- Office
- Hospitality
- Retail
- Showroom
- Industrial



Ordering guide

Model	Packed Wt (kg)	AC Codes	EC Codes
Caspian FF 60	24	HPCA23002	HPCA22001
Caspian FF 90	39	HPCA23003	HPCA22002
Caspian FF 120	46	HPCA23004	HPCA22003
Caspian FF 150	61	HPCA23005	HPCA22004
Caspian FF 180	76	HPCA23006	HPCA22005
Rear Outlet			
Caspian FF 60	24	HPCA23007	HPCA22006
Caspian FF 90	39	HPCA23008	HPCA22007
Caspian FF 120	46	HPCA23009	HPCA22008
Caspian FF 150	61	HPCA23010	HPCA22009
Caspian FF 180	76	HPCA23011	HPCA22010

Specification

To specify state:

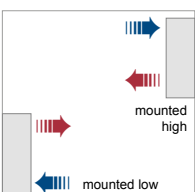
Fan Convactor with EC motor (or AC), in 1.2mm zinc coated steel, 660mm high and 595mm, 895mm, 1195mm, 1495mm or 1795mm wide. With variable heat output controller. As Smith's Caspian FF 60/90/120/150/180.

Accessories	Product Codes
Plinth to suit low level 60 models - 150mm high (White)	HACA33092
Plinth to suit low level 90 models - 150mm high (White)	HACA33093
Plinth to suit low level 120 models - 150mm high (White)	HACA33094
Plinth to suit low level 150 models - 150mm high (White)	HACA33095
Plinth to suit low level 180 models - 150mm high (White)	HACA33096
Plinth to suit low level 60 models - 150mm high (Black)	HACA33082
Plinth to suit low level 90 models - 150mm high (Black)	HACA33083
Plinth to suit low level 120 models - 150mm high (Black)	HACA33084
Plinth to suit low level 150 models - 150mm high (Black)	HACA33085
Plinth to suit low level 180 models - 150mm high (Black)	HACA33086
Adjustable low temperature cut-out (all Caspian models)	HACA33001
Thermostat T1 (low level models with AC or EC Motors)	HACA33002
Thermostat T2 (low level models with AC Motors)	HACA33036
Thermostat (T1) & auto-speed Control (T2) (Low level models with AC motors)	HACA33003
External Control Harness (models with EC motors)	HHCA33004
Caspian EC linking kit (Alt to EXTCH)	HACA33068
Proportional Heat Output Controller (models with EC motors) 15°-25°C (low level only)	HACA33005
Proportional Heat Output Controller (models with EC motors) Remote Sensor 15°-25°C	HACA33037
Proportional Heat Output Controller (models with EC motors) 11°-21°C (low level only)	HACA33075
Proportional Heat Output Controller (models with EC motors) Remote Sensor 11°-21°C	HACA33076
Remote (Wired) Room Thermostat	HAGA95001
Remote (Wired) Room Thermostat Siemens	HACA33077
Remote (Wireless) Room Thermostat Siemens RF	HACA33074
Remote (Wired) Room Thermostat Siemens Tamper Proof	HAGA95004
Remote (Wired) Room Thermostat Siemens Speed and Temperature Control (EC only)	HACA33078
22mm flexible hoses (pair)	HAGA95003

100mm plinth also available, please contact us for further information

Mounting options

Rear outlet

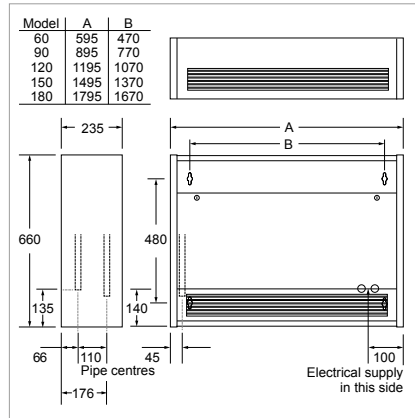


Caspian TT

Warm air is discharged from the upper surface to avoid causing discomfort to people sitting adjacent to the appliance

Applications
 Education
 Healthcare
 Places of worship
 Leisure and sport
 Office
 Hospitality
 Retail
 Showroom
 Industrial

COMMERCIAL



Ordering guide

Model	Packed Wt (kg)	Product Codes
AC Codes		
Caspian TT 60	24	HPCA16000
Caspian TT 90	39	HPCA16001
Caspian TT 120	46	HPCA16002
Caspian TT 150	61	HPCA16003
Caspian TT 180	76	HPCA16004
EC Codes		
Caspian TT 60	24	HPCA15000
Caspian TT 90	39	HPCA15001
Caspian TT 120	46	HPCA15002
Caspian TT 150	61	HPCA15003
Caspian TT 180	76	HPCA15004

Specification

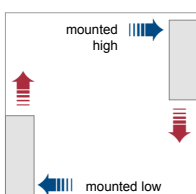
To specify state:

Fan Convecter with EC motor (or AC), in 1.2mm zinc coated steel, 660mm high and 595mm, 895mm, 1195mm, 1495mm or 1795mm wide. With variable heat output controller. As Smith's Caspian TT 60/90/120/150/180.

Accessories	Product Codes
Plinth to suit low level 60 models - 150mm high (White)	HACA33006
Plinth to suit low level 90 models - 150mm high (White)	HACA33007
Plinth to suit low level 120 models - 150mm high (White)	HACA33008
Plinth to suit low level 150 models - 150mm high (White)	HACA33009
Plinth to suit low level 180 models - 150mm high (White)	HACA33010
Plinth to suit low level 60 models - 150mm high (Black)	HACA33097
Plinth to suit low level 90 models - 150mm high (Black)	HACA33098
Plinth to suit low level 120 models - 150mm high (Black)	HACA33099
Plinth to suit low level 150 models - 150mm high (Black)	HACA33100
Plinth to suit low level 180 models - 150mm high (Black)	HACA33101
Adjustable low temperature cut-out (all Caspian models)	HACA33001
Thermostat T1 (low level models with AC or EC Motors)	HACA33002
Thermostat T2 (low level models with AC Motors)	HACA33036
Thermostat (T1) & auto-speed Control (T2) (Low level models with AC motors)	HACA33003
External Control Harness (models with EC motors)	HHCA33004
Caspian EC linking kit (Alt to EXTCH)	HACA33068
Proportional Heat Output Controller (models with EC motors) 15°-25°C (low level only)	HACA33005
Proportional Heat Output Controller (models with EC motors) Remote Sensor 15°-25°C	HACA33037
Proportional Heat Output Controller (models with EC motors) 11°-21°C (low level only)	HACA33075
Proportional Heat Output Controller (models with EC motors) Remote Sensor 11°-21°C	HACA33076
Remote (Wired) Room Thermostat	HAGA95001
Remote (Wired) Room Thermostat Siemens	HACA33077
Remote (Wireless) Room Thermostat Siemens RF	HACA33074
Remote (Wired) Room Thermostat Siemens Tamper Proof	HAGA95004
Remote (Wired) Room Thermostat Siemens Speed and Temperature Control (EC only)	HACA33078
22mm flexible hoses (pair)	HAGA95003

100mm plinth also available, please contact us for further information

Mounting options

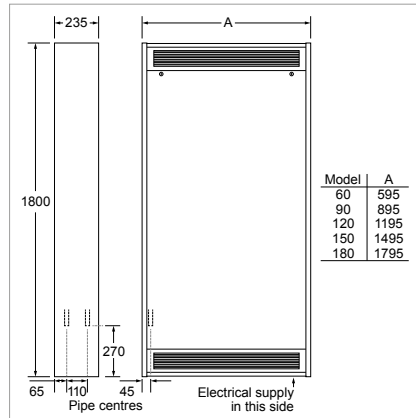


Caspian EXT

Warm air is delivered at 1.7m from the base/floor level and the heater can be installed as a freestanding appliance

Applications

Education
Healthcare
Places of worship
Leisure and sport
Office
Hospitality
Retail
Showroom
Industrial



Ordering guide

Model	Packed Wt (kg)	Product Codes
AC Codes		
Caspian EXT 60	30	HPCA25001
Caspian EXT 90	49	HPCA25002
Caspian EXT 120	58	HPCA25003
Caspian EXT 150	76	HPCA25004
Caspian EXT 180	95	HPCA25005
EC Codes		
Caspian EXT 60	30	HPCA24001
Caspian EXT 90	49	HPCA24002
Caspian EXT 120	58	HPCA24003
Caspian EXT 150	76	HPCA24004
Caspian EXT 180	95	HPCA24005

Specification

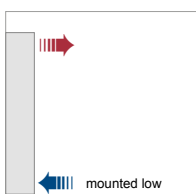
To specify state:

Fan Convecter with EC motor (or AC), in 1.2mm zinc coated steel, 1800mm high and 595mm, 895mm, 1195mm, 1495mm or 1795mm wide. With variable heat output controller. As Smith's Caspian EXT 60/90/120/150/180.

Accessories	Product Codes
Plinth to suit low level 60 models - 150mm high (White)	HACA33092
Plinth to suit low level 90 models - 150mm high (White)	HACA33093
Plinth to suit low level 120 models - 150mm high (White)	HACA33094
Plinth to suit low level 150 models - 150mm high (White)	HACA33095
Plinth to suit low level 180 models - 150mm high (White)	HACA33096
Plinth to suit low level 60 models - 150mm high (Black)	HACA33082
Plinth to suit low level 90 models - 150mm high (Black)	HACA33083
Plinth to suit low level 120 models - 150mm high (Black)	HACA33084
Plinth to suit low level 150 models - 150mm high (Black)	HACA33085
Plinth to suit low level 180 models - 150mm high (Black)	HACA33086
Adjustable low temperature cut-out (all Caspian models)	HACA33001
Thermostat T1 (low level models with AC or EC Motors)	HACA33002
Thermostat T2 (low level models with AC Motors)	HACA33036
Thermostat (T1) & auto-speed Control (T2) (Low level models with AC motors)	HACA33003
External Control Harness (models with EC motors)	HHCA33004
Caspian EC linking kit (Alt to EXTCH)	HACA33068
Proportional Heat Output Controller (models with EC motors) 15°-25°C (low level only)	HACA33005
Proportional Heat Output Controller (models with EC motors) Remote Sensor 15°-25°C	HACA33037
Proportional Heat Output Controller (models with EC motors) 11°-21°C (low level only)	HACA33075
Proportional Heat Output Controller (models with EC motors) Remote Sensor 11°-21°C	HACA33076
Remote (Wired) Room Thermostat	HAGA95001
Remote (Wired) Room Thermostat Siemens	HACA33077
Remote (Wireless) Room Thermostat Siemens RF	HACA33074
Remote (Wired) Room Thermostat Siemens Tamper Proof	HAGA95004
Remote (Wired) Room Thermostat Siemens Speed and Temperature Control (EC only)	HACA33078
22mm flexible hoses (pair)	HAGA95003

100mm plinth also available, please contact us for further information

Mounting option



Rear outlet





Caspian LST

Caspian LST (low surface temperature) is ideal for applications where the surface temperature of is important such as schools and certain healthcare applications

Applications

Education
Healthcare
Office
Hospitality



Features

- Caspian LST (low surface temperature) fully complies with the NHS Estates Health Guidance Notes, "Safe hot water and surface temperatures" (formally known as DN4) and has been independently verified by BSRIA
- Using EC technology and meeting the DN4 legislation 100% of the time, this hydronic fan convector provides complete peace of mind for specifiers choosing the Caspian
- Any building registered under the Registered Homes Act 1984, including hospitals, clinics, surgeries and other health care premises, requires heat emitters whose maximum surface temperature must not exceed 43°C. This also extends to social services personal care properties, and may also apply to any property where occupants may be at risk of burns to their skin if they came into prolonged (10 seconds or more) contact with a standard heat emitter
- As well as healthcare applications Caspian LST is the ideal choice for schools and nurseries where the risk of children coming into contact with higher surface temperature heat emitters can be avoided

Motor

EC (BMS compliant)

Finish

Casing: zinc-coated steel 1.2mm
Polyester powdercoated: white RAL 9010
Available to special order in any colour and with anti-microbial or anti-bacterial paint

Filter

Class G3, 100% polyester, non-washable

Installation

Suitable for two-pipe central heating systems
Pipework access holes on the rear and underside
Key operated front access panels
Bleed valve accessible on removal of front casing
Unit must be earthed

Commissioning

Check water is hot enough to activate the low temperature cut-out thermostat
Regulate the flow to achieve maximum performance

Controls

Variable heat output controller (mounted within the products)

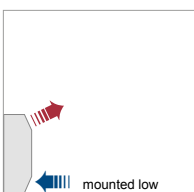
Accessories

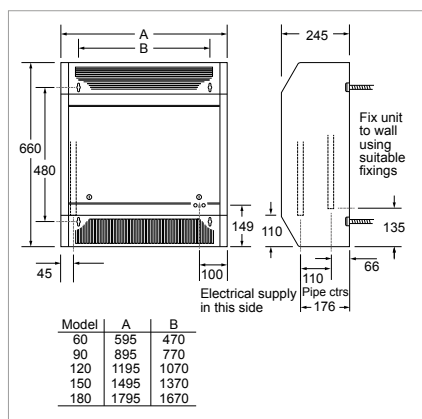
See matrix on page 70

Specification

To specify state: Low Surface Temperature Fan Convector with EC motor, in 1.2mm zinc coated steel, polyester powder coated in white RAL 9010. Dimensions at 660mm high and 595mm, 895mm, 1195mm, 1495mm or 1795mm wide. With variable heat output controller. As Smith's Caspian LST 60/90/120/150/180.

Mounting option





Heat output For other heat output data please visit our website

Model	Heat Output at 75°			Heat Output at 50°			Pressure Drop		
	Low (kW)	Medium (kW)	High (kW)	Low (kW)	Medium (kW)	High (kW)	High (kPa)	Medium (kPa)	Low (kPa)
Caspian LST 60	0.9	1.4	1.9	0.6	0.7	0.8	1.5	1.1	0.9
Caspian LST 90	2.8	3.2	3.7	1.6	2.0	2.3	3.9	2.3	1.6
Caspian LST 120	4.7	5.1	5.5	2.8	3.2	3.7	7.3	5.5	5.3
Caspian LST 150	6.0	6.5	7.0	4.2	4.7	5.2	8.6	6.8	6.2
Caspian LST 180	7.5	8.0	8.5	5.7	6.2	6.7	11.3	8.6	7.9

Model	Flow & return connections	Fused spur	Total Power Consumption				Sound Levels			Casting colour	Fan only
			Low (Watts)	Medium (Watts)	High (Watts)	Water Capacity (Litres)	High (dBA)	Medium (dBA)	Low (dBA)		
Caspian LST 60	22mm	3A	26	41	55	0.92	50	43	35	white	•
Caspian LST 90	22mm	3A	33	59	85	1.50	53	45	37	white	•
Caspian LST 120	22mm	3A	33	79	125	2.08	57	48	38	white	•
Caspian LST 150	22mm	3A	50	119	188	2.58	59	47	36	white	•
Caspian LST 180	22mm	3A	66	158	250	3.18	59	47	36	white	•

Heat output testing based on BS EN442 using mean water temperature, 18°C entering air temperature, 10° temperature drop. Sound levels measured at 3m in front of the floor mounted model.

Ordering guide

Model	Packed Wt (kg)	Product Codes
Caspian LST 60	24	HPCA28001
Caspian LST 90	37	HPCA28002
Caspian LST 120	46	HPCA28003
Caspian LST 150	60	HPCA28004
Caspian LST 180	78	HPCA28005

Accessories	Product Codes
Plinth to suit low level 60 models - 150mm high (White)	HACA33006
Plinth to suit low level 90 models - 150mm high (White)	HACA33007
Plinth to suit low level 120 models - 150mm high (White)	HACA33008
Plinth to suit low level 150 models - 150mm high (White)	HACA33009
Plinth to suit low level 180 models - 150mm high (White)	HACA33010
Plinth to suit low level 60 models - 150mm high (Black)	HACA33097
Plinth to suit low level 90 models - 150mm high (Black)	HACA33098
Plinth to suit low level 120 models - 150mm high (Black)	HACA33099
Plinth to suit low level 150 models - 150mm high (Black)	HACA33100
Plinth to suit low level 180 models - 150mm high (Black)	HACA33101
22mm flexible hoses (pair)	HAGA95003

100mm plinth also available, please contact us for further information

Caspian Skyline

Caspian Skyline CT60 fits into a 600mm x 600mm ceiling tile, providing easy access for both installation and maintenance. It's suitable for projects in schools, retail or food units or where the heating needs to complement the rest of the premise

Applications

Education
Healthcare
Leisure and sport
Office
Hospitality
Retail
Showroom



Features

- The Caspian Skyline has been developed to provide a more easily installed ceiling tile fan convector to complement the Smith's range of Caspian commercial fan convectors and may be used alone or in tandem with other Smith's products
- Plumbing easily into any wet central heating system, the Caspian Skyline will also work effectively and efficiently with renewable heat sources, such as air or ground source heat pumps

Motor

EC (BMS compliant) or AC

Finish

Casing: galvanised steel 1.2mm

Grille: Eggcrate core, white RAL 9010 complete with touch catches

Filter

Class G3, 100% polyester, non-washable

Installation

Suitable for two-pipe central heating systems
Maximum installation height – 4m to underside
Unit must be earthed

Commissioning

Check water is hot enough to activate the low temperature cut-out thermostat

Controls

Variable heat output controller (mounted within the products)

Accessories

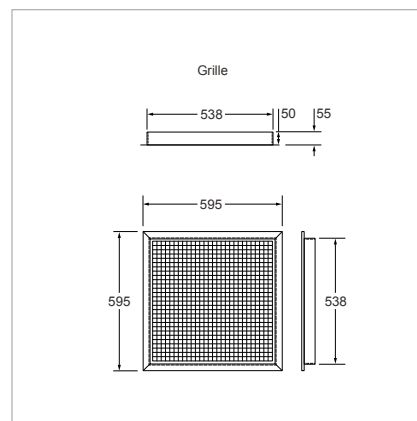
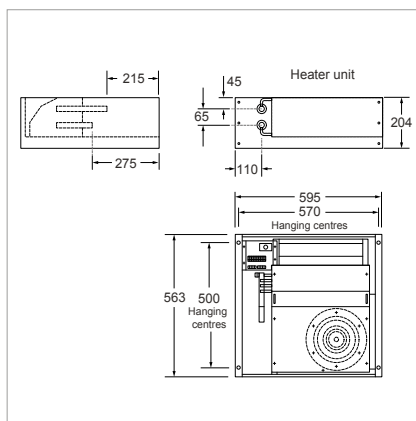
See matrix on page 70

Specification

To specify state:

Ceiling mounted Fan Convector with EC (or AC) motor, in 1.2mm galvanised steel, egg crate core grille in white RAL 9010. To fit a standard 600mm x 600mm ceiling grid. With variable heat output controller.

As Smith's Caspian Skyline CT60.



Heat output For other heat output data please visit our website

Model	Heat Output at 75°			Heat Output at 45°		
	Low (kW)	Medium (kW)	High (kW)	Low (kW)	Medium (kW)	High (kW)
Caspian Skyline CT60	2.7	3.7	4.6	0.5	0.9	1.3

Model	Flow & return connections	Fused spur	Total Power Consumption				Sound Levels			Grille colour
			Low (Watts)	Medium (Watts)	High (Watts)	Water Capacity (Litres)	High (dBA)	Medium (dBA)	Low (dBA)	
Caspian Skyline CT60	22mm	3A	8	24	40	0.75	48	40	34	white

Heat output testing based on BS EN442 using mean water temperature, 18°C entering air temperature, 10° temperature drop. Sound levels measured at 3m.

Correction factors

EAT°C	Mean water temperature °C	
	80 to 40	
15	1.10	
21	0.93	

Factor	Temperature drop °C			
	20	15	10	5
Factor	0.89	0.95	1.00	1.04

Ordering guide

Model	Packed Wt (kg)	Product Codes
AC Codes		
Caspian Skyline CT60	20	HPCA30001
EC Codes		
Caspian Skyline CT60	20	HPCA29001

Accessories	Product Codes
Adjustable low temperature cut-out (all Caspian models)	HACA33001
External Control Harness (models with EC motors)	HHCA33004
Caspian EC linking kit (Alt to EXTCH)	HACA33068
Proportional Heat Output Controller (models with EC motors) Remote Sensor 15°-25°C	HACA33037
Proportional Heat Output Controller (models with EC motors) Remote Sensor 11°-21°C	HACA33076
Remote (Wired) Room Thermostat	HAGA95001
Remote (Wired) Room Thermostat Siemens	HACA33077
Remote (Wireless) Room Thermostat Siemens RF	HACA33074
Remote (Wired) Room Thermostat Siemens Tamper Proof	HAGA95004
Remote (Wired) Room Thermostat Siemens Speed and Temperature Control (EC only)	HACA33078
22mm flexible hoses (pair)	HAGA95003

Caspian UVC

The Caspian UVC fan convector was developed for recessed or concealed heating projects and is suitable for high, low or ceiling concealed installations, can even be turned upside down

Applications

Education
Healthcare
Places of worship
Leisure and sport
Office
Hospitality
Retail
Showroom
Industrial



Features

- Compatible with all types of wet central heating systems and any commercial or domestic air source heat pump project, the Caspian UVC has four different main accessories. They function together in any combination to create the recessed or concealed heating solution required, depending on the project specification
- AC motor models are available on request
- Caspian UVC is compatible with most types of wet central heating systems, functioning equally efficiently with conventional boilers, biomass technology or ground or air source heat pumps

Motor

EC (BMS compliant) or AC

Finish

Casing: galvanised steel 1.2mm

Filter

Class G3, 100% polyester, non-washable

Installation

Suitable for two-pipe central heating systems
Unit must be earthed
Maximum installation height 4m to underside

Commissioning

Check water is hot enough to activate the low temperature cut-out thermostat

Controls

Variable heat output controller (mounted within the products)

Accessories

See matrix on page 70

Attachments

White powder-coated steel inlet/outlet grille
Anodised aluminium air inlet/outlet grille
90°C cranked air inlet/outlet duct
1m adjustable straight air inlet/outlet extension duct
Circular spigot air inlet/outlet duct

Specification

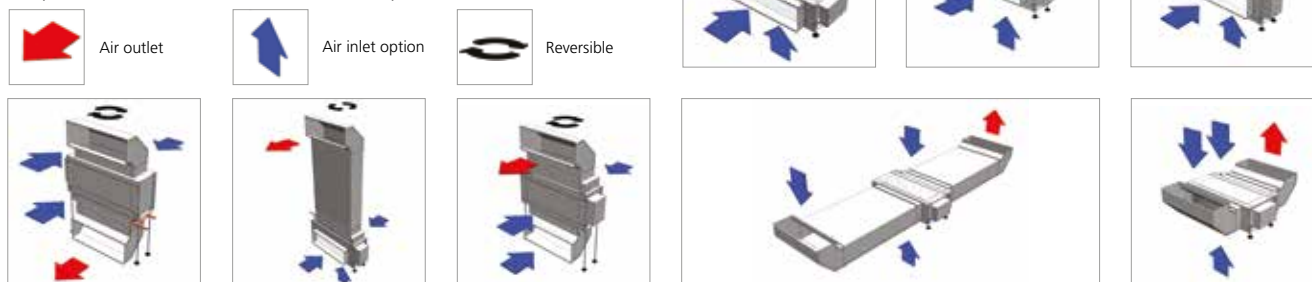
To specify state:

A concealed fan convector for universal mounting with variable heat output controller.

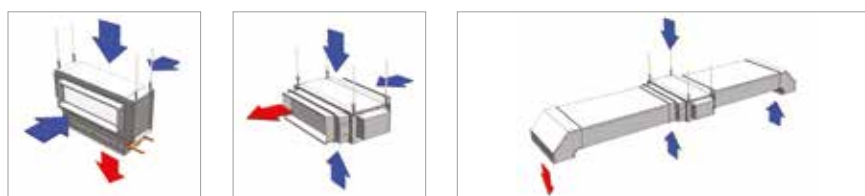
As Smith's Caspian UVC 60/90/120/150/180.

Floor mounted application

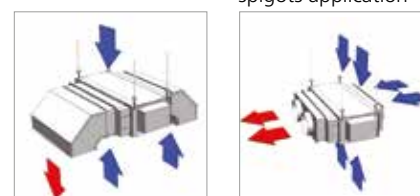
The Caspian UVC can be installed either on or behind walls at high and low level, in ceiling voids and on or under floors. Detailed below are a number of application options than can be achieved with the Caspian UVC and Accessories. If in doubt please contact us.



Suspended with ducts application



Suspended with spigots application



Heat output For other heat output data please visit our website

Model	Heat Output at 75°			Heat Output at 45°		
	Low (kW)	Medium (kW)	High (kW)	Low (kW)	Medium (kW)	High (kW)
Caspian 60	2.9	4.1	5.3	1.1	1.5	1.9
Caspian 90	4.8	7.2	9.6	2.0	3.1	4.1
Caspian 120	6.1	9.7	13.2	2.0	3.7	5.4
Caspian 150	13.7	14.2	15.2	6.2	6.9	7.5
Caspian 180	16.2	17.0	18.0	8.4	9.1	9.4

Model	Flow & return connections	Fused spur	Total Power Consumption				Water Capacity (Litres)	Sound Levels			Casting colour
			Low (Watts)	Medium (Watts)	High (Watts)	High (dBA)		Medium (dBA)	Low (dBA)		
Caspian UVC 60	22mm	3A	8	24	40	0.92	50	42	33	white	
Caspian UVC 90	22mm	3A	15	43	70	1.50	53	42	34	white	
Caspian UVC 120	22mm	3A	13	62	110	2.08	58	46	35	white	
Caspian UVC 150	22mm	3A	20	144	177	2.58	59	47	36	white	
Caspian UVC 180	22mm	3A	26	124	220	3.18	59	48	38	white	

Heat output testing based on BS EN442 using mean water temperature, 18°C entering air temperature, 10° temperature drop. Sound levels measured at 3m in front of floor mounted model.

Correction factors

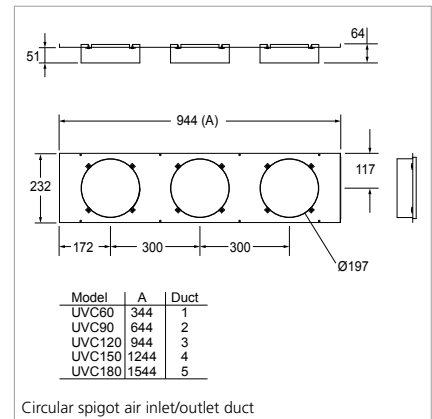
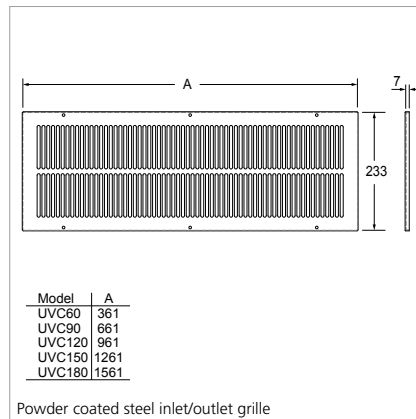
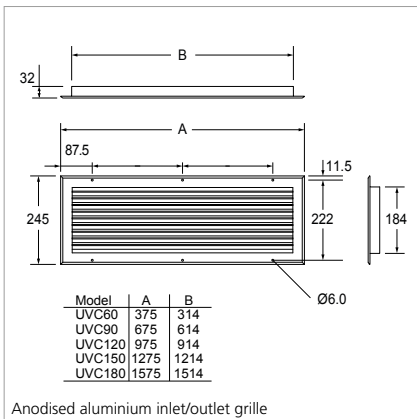
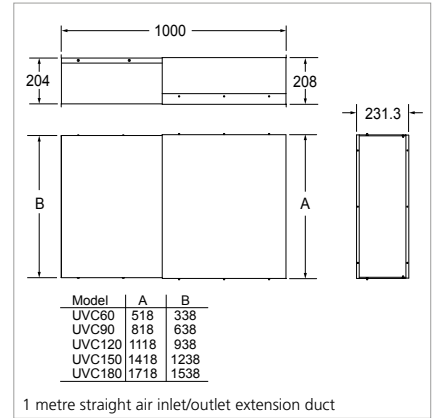
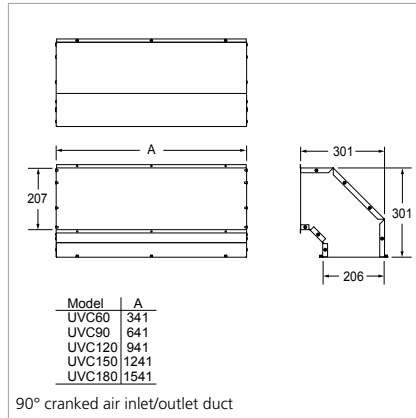
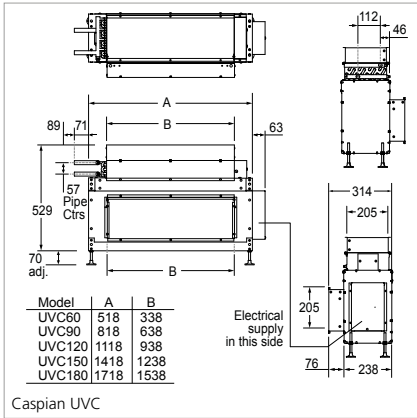
EAT°C	Mean water temperature °C		Temperature drop °C			
	80 to 40		20	15	10	5
15	1.10		0.89	0.95	1.00	1.04
21	0.93					

Caspian UVC

The Caspian UVC fan convector was developed for recessed or concealed heating projects and is suitable for high, low or ceiling concealed installations, can even be turned upside down

Applications

- Education
- Healthcare
- Places of worship
- Leisure and sport
- Office
- Hospitality
- Retail
- Showroom
- Industrial



Attachments



90° cranked air inlet/outlet



1m adjustable straight air inlet/outlet extension duct



Anodised aluminium inlet/outlet grille



Powder-coated steel inlet/outlet grille



Circular spigot inlet/outlet grille

Ordering guide

Model	Packed Wt (kg)	Product Codes
AC Codes		
Caspian UVC 60	23	HPCA27001
Caspian UVC 90	36	HPCA27002
Caspian UVC 120	45	HPCA27003
Caspian UVC 150	60	HPCA27004
Caspian UVC 180	78	HPCA27005
EC Codes		
Caspian UVC 60	23	HPCA26001
Caspian UVC 90	36	HPCA26002
Caspian UVC 120	45	HPCA26003
Caspian UVC 150	60	HPCA26004
Caspian UVC 180	78	HPCA26005

Accessories and attachments	Product Codes
Adjustable low temperature cut-out (all Caspian models)	HACA33001
Thermostat T1 (low level models with AC or EC Motors)	HACA33002
Thermostat T2 (low level models with AC Motors)	HACA33036
Thermostat (T1) & auto-speed Control (T2) (Low level models with AC motors)	HACA33003
External Control Harness (models with EC motors)	HHCA33004
Caspian EC linking kit (Alt to EXTCH)	HACA33068
Proportional Heat Output Controller (models with EC motors) 15°-25°C (low level only)	HACA33005
Proportional Heat Output Controller (models with EC motors) Remote Sensor 15°-25°C	HACA33037
Proportional Heat Output Controller (models with EC motors) 11°-21°C (low level only)	HACA33075
Proportional Heat Output Controller (models with EC motors) Remote Sensor 11°-21°C	HACA33076
Remote (Wired) Room Thermostat	HAGA95001
Remote (Wired) Room Thermostat Siemens	HACA33077
Remote (Wireless) Room Thermostat Siemens RF	HACA33074
Remote (Wired) Room Thermostat Siemens Tamper Proof	HAGA95004
Remote (Wired) Room Thermostat Siemens Speed and Temperature Control (EC only)	HACA33078
22mm flexible hoses (pair)	HAGA95003
90° cranked air inlet/outlet duct (to suit UVC 60)	HACA33011
90° cranked air inlet/outlet duct (to suit UVC 90)	HACA33012
90° cranked air inlet/outlet duct (to suit UVC 120)	HACA33013
90° cranked air inlet/outlet duct (to suit UVC 150)	HACA33014
90° cranked air inlet/outlet duct (to suit UVC 180)	HACA33015
1m adjustable straight air inlet/outlet extension duct (to suit UVC 60)	HACA33016
1m adjustable straight air inlet/outlet extension duct (to suit UVC 90)	HACA33017
1m adjustable straight air inlet/outlet extension duct (to suit UVC 120)	HACA33018
1m adjustable straight air inlet/outlet extension duct (to suit UVC 150)	HACA33019
1m adjustable straight air inlet/outlet extension duct (to suit UVC 180)	HACA33020
Circular spigot (200mm x 2) air inlet/outlet duct (to suit UVC 60)	HACA33021
Circular spigot (200mm x 2) air inlet/outlet duct (to suit UVC 90)	HACA33022
Circular spigot (200mm x 3) air inlet/outlet duct (to suit UVC 120)	HACA33023
Circular spigot (200mm x 4) air inlet/outlet duct (to suit UVC 150)	HACA33024
Circular spigot (200mm x 5) air inlet/outlet duct (to suit UVC 180)	HACA33025
Powder-coated White steel inlet/outlet grille (to suit UVC 60)	HACA33026
Powder-coated White steel inlet/outlet grille (to suit UVC 90)	HACA33027
Powder-coated White steel inlet/outlet grille (to suit UVC 120)	HACA33028
Powder-coated White steel inlet/outlet grille (to suit UVC 150)	HACA33029
Powder-coated White steel inlet/outlet grille (to suit UVC 180)	HACA33030
Anodised aluminium inlet/outlet grille (to suit UVC 60)	HACA33031
Anodised aluminium inlet/outlet grille (to suit UVC 90)	HACA33032
Anodised aluminium inlet/outlet grille (to suit UVC 120)	HACA33033
Anodised aluminium inlet/outlet grille (to suit UVC 150)	HACA33034
Anodised aluminium inlet/outlet grille (to suit UVC 180)	HACA33035

Aegean SFC 180H

A range of fan coil units suitable for all kinds of commercial applications, from restaurants and hotels to office developments, with the ability to rapidly heat and cool large areas with much greater efficiency than other similar heating and cooling systems

Applications

- Education
- Healthcare
- Places of worship
- Leisure and sport
- Office
- Hospitality
- Retail
- Showroom
- Industrial



Features

- Suitable for shallow ceiling voids
- EC motor for BMS compliance
- Low sound levels
- Fully attenuated discharge plenum
- Positive fall drain tray
- Designed and made in the UK
- For bespoke specifications, including electric heating capability please contact us to discuss your requirements

Finish

Chassis manufactured from 1.2mm hot dipped galvanised steel
All flanges formed inward facing to prevent exposure to bare metal edges

Installation

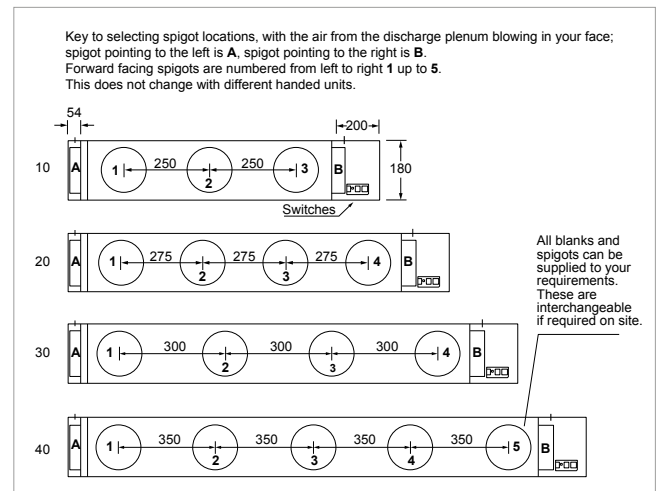
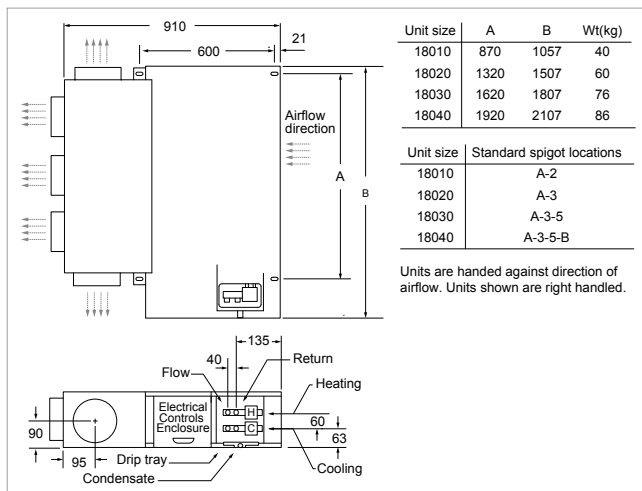
Flow and return connections 15mm
Designed for system pressures up to 10 bar
Fan coils are 4-pipe coils (heating and cooling circuit)

Customised requirements

All leading manufacturers controls factory fitted
Acoustically lined inlet plenum
Concealed/hidden applications (underfloor, behind false walls and ceilings)
Fresh air spigot
Bespoke options

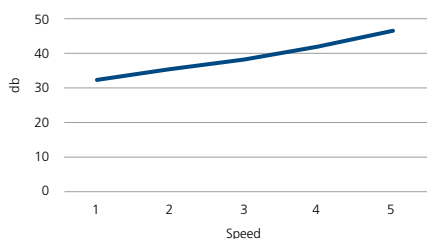
Specification

To specify state:
Horizontal Fan Coil Unit 180mm high with EC motor.
As Smith's Aegean SFC18010 (or SFC18020, SFC18030, SFC18040)

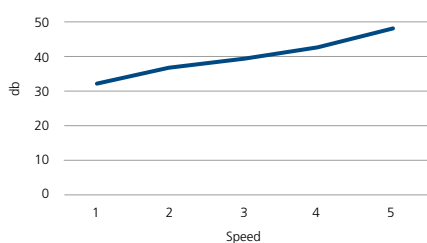


Acoustics

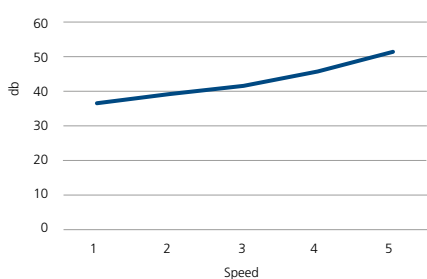
SFC 180/10



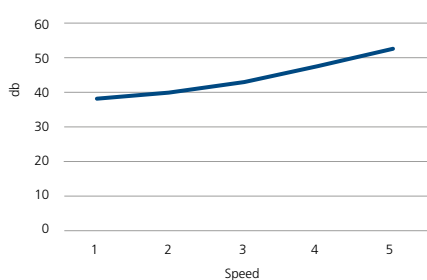
SFC 180/20



SFC 180/30

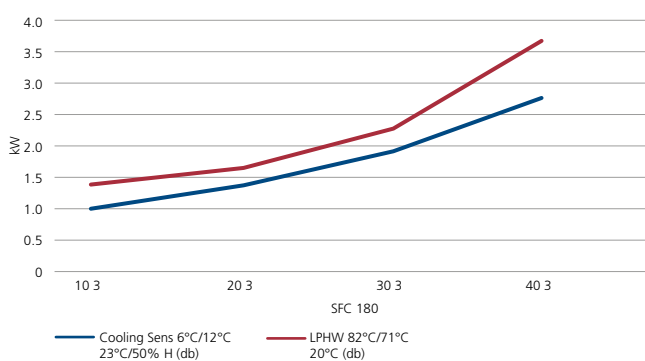


SFC 180/40



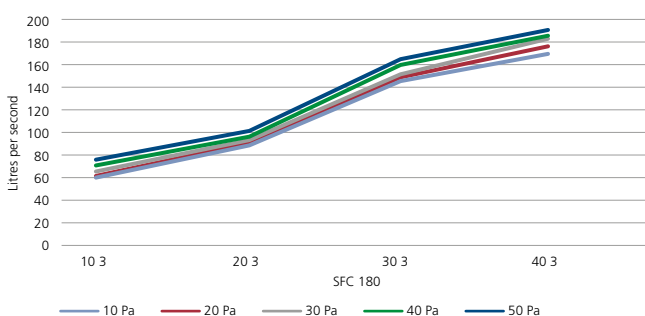
Cooling and heating outputs

SFC 180 - Capacity (kW)



Air volume

SFC 180



Ordering guide

Description	Weight (Kg)	Product code
Aegean SFC 180		
Aegean SFC180EC/10	40	HPAE20000
Aegean SFC180EC/20	60	HPAE20001
Aegean SFC180EC/30	76	HPAE20002
Aegean SFC180EC/40	86	HPAE20003

For bespoke specifications, including electric heating capability please contact us to discuss your requirements

Please note these graphs are a representation of the data, for the full accurate data set please download the datasheets from our website SmithsEP.co.uk

Aegean SFC 235H

A range of fan coil units suitable for all kinds of commercial applications, from restaurants and hotels to office developments, with the ability to rapidly heat and cool large areas with much greater efficiency than other similar heating and cooling systems

Applications
 Education
 Healthcare
 Leisure and sport
 Office
 Hospitality
 Retail
 Showroom
 Industrial



Features

- EC motor for BMS compliance
- Low sound levels
- Fully attenuated discharge plenum
- Positive fall drain tray
- Designed and made in the UK
- For bespoke specifications, including electric heating capability please contact us to discuss your requirements

Finish

Chassis manufactured from 1.2mm hot dipped galvanised steel
 All flanges formed inward facing to prevent exposure to bare metal edges

Installation

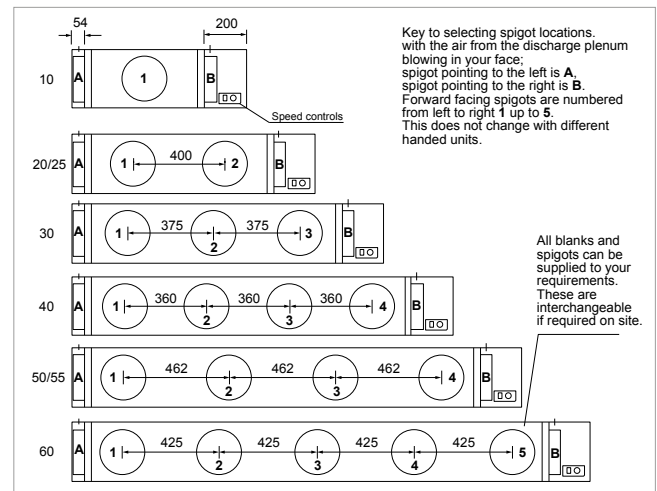
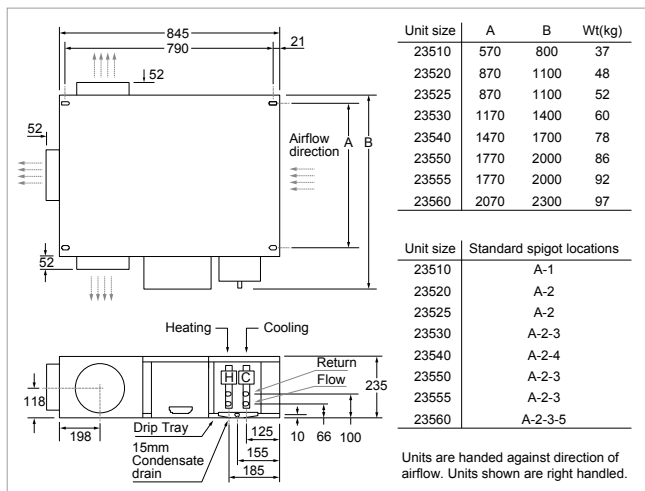
Flow and return connections 15mm
 Designed for system pressures up to 10 bar
 Fan coils are 4-pipe coils (heating and cooling circuit)

Customised requirements

All leading manufacturers controls factory fitted
 Acoustically lined inlet plenum
 Concealed/hidden applications (underfloor, behind false walls and ceilings)
 Fresh air spigot
 Bespoke options

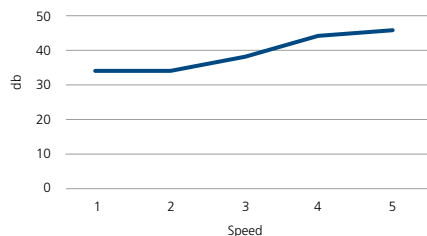
Specification

To specify state:
 Horizontal Fan Coil Unit 235mm high with EC motor.
 As Smith's Aegean SFC23510 (or SFC23520, SFC23525, SFC23530, SFC23540, SFC23550, SFC23555, SFC23560)

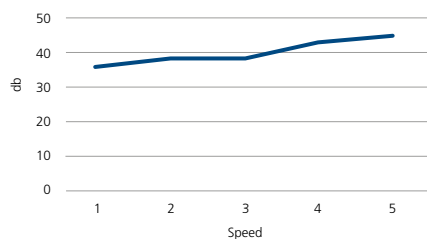


Acoustics

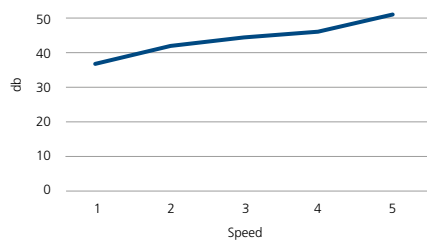
SFC 235/10



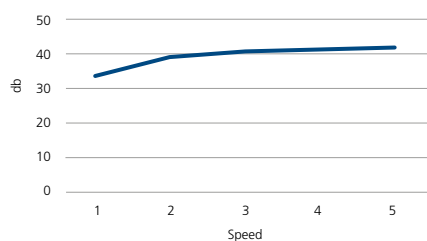
SFC 235/20



SFC 235/25



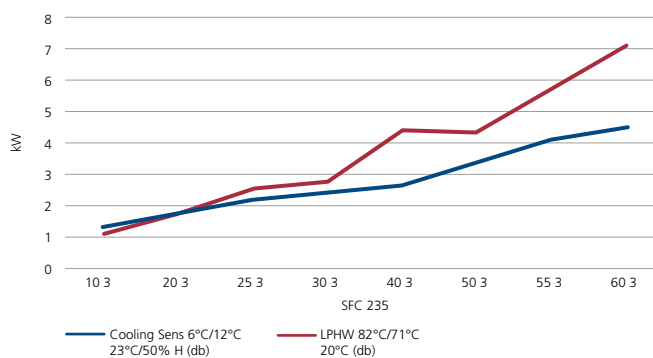
SFC 235/30



Please note these graphs are a representation of the data, for the full accurate data set please download the datasheets from our website SmithsEP.co.uk

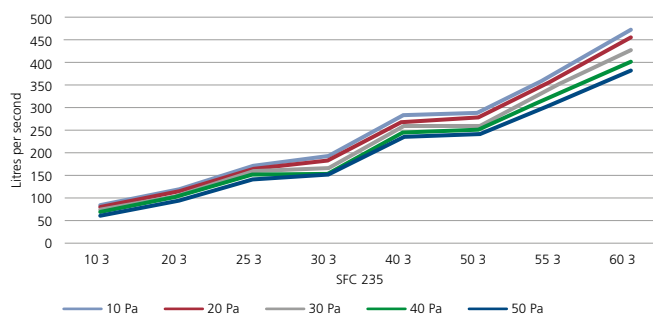
Cooling and heating outputs

SFC 235 - Capacity (kW)



Air volume

SFC 235



Ordering guide

Description	Wt (Kg)	Product Codes
Aegean SFC235EC/10	37	HPAE20004
Aegean SFC235EC/20	48	HPAE20005
Aegean SFC235EC/25	52	HPAE20006
Aegean SFC235EC/30	60	HPAE20007
Aegean SFC235EC/40	78	HPAE20008
Aegean SFC235EC/50	86	HPAE20009
Aegean SFC235EC/55	92	HPAE20010
Aegean SFC235EC/60	97	HPAE20011

For bespoke specifications, including electric heating capability please contact us to discuss your requirements

Aegean SFC 260H

A range of fan coil units suitable for all kinds of commercial applications, from restaurants and hotels to office developments, with the ability to rapidly heat and cool large areas with much greater efficiency than other similar heating and cooling systems

Applications

- Education
- Healthcare
- Leisure and sport
- Office
- Hospitality
- Retail
- Showroom
- Industrial



Features

- EC motor for BMS compliance
- Low sound levels
- Fully attenuated discharge plenum
- Positive fall drain tray
- Designed and made in the UK
- For bespoke specifications, including electric heating capability please contact us to discuss your requirements

Finish

Chassis manufactured from 1.2mm hot dipped galvanised steel
All flanges formed inward facing to prevent exposure to bare metal edges

Installation

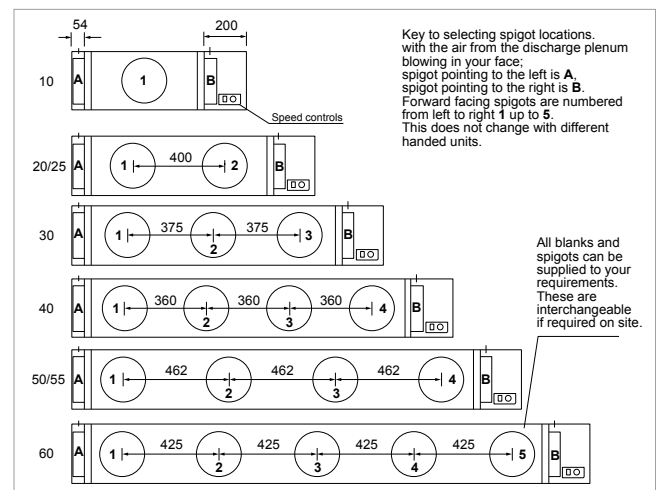
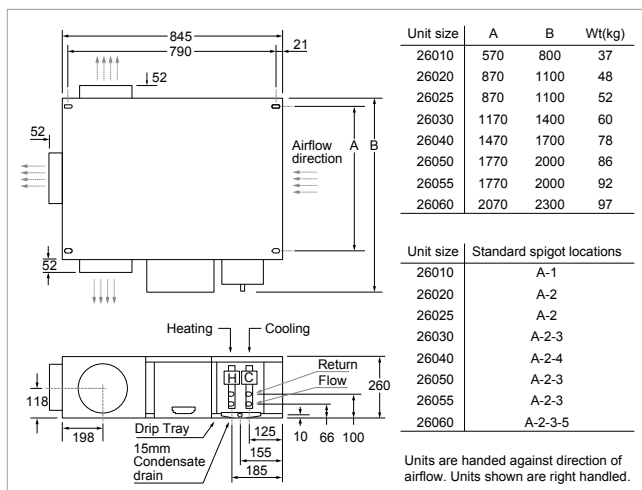
Flow and return connections 15mm
Designed for system pressures up to 10 bar
Fan coils are 4-pipe coils (heating and cooling circuit)

Customised requirements

All leading manufacturers controls factory fitted
Acoustically lined inlet plenum
Concealed/hidden applications (underfloor, behind false walls and ceilings)
Fresh air spigot
Bespoke options

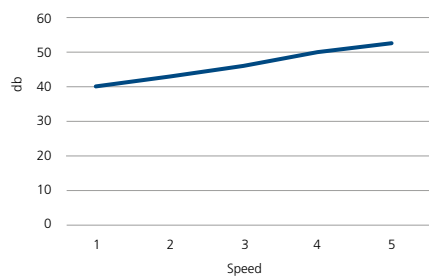
Specification

To specify state:
Horizontal Fan Coil Unit 260mm high with EC motor.
As Smith's Aegean SFC26010 (or SFC26020, SFC26025, SFC26030, SFC26040, SFC26050, SFC26055, SFC26060)

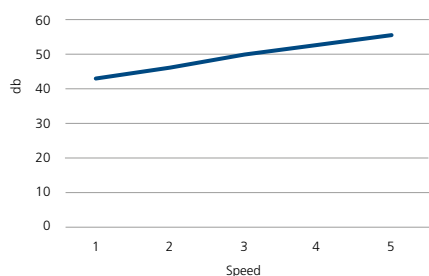


Acoustics

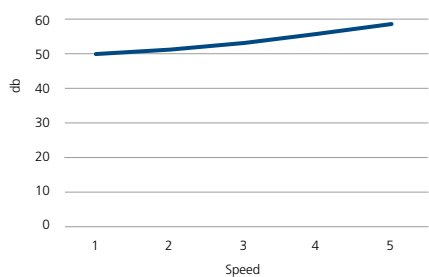
SFC 260/10



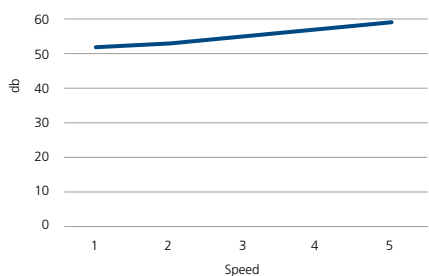
SFC 260/20



SFC 260/25



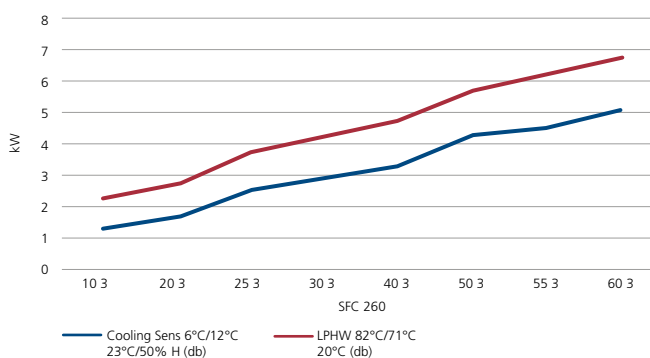
SFC 260/30



Please note these graphs are a representation of the data, for the full accurate data set please download the datasheets from our website SmithsEP.co.uk

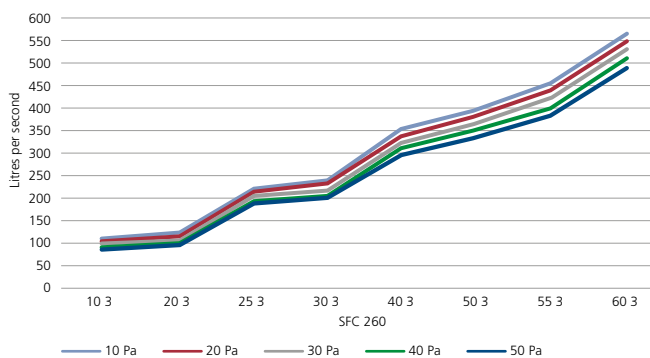
Cooling and heating outputs

SFC 260 - Capacity (kW)



Air volume

SFC 260



Ordering guide

Description	Wt (Kg)	Product Codes
Aegean SFC260EC/10	41	HPAE20012
Aegean SFC260EC/20	52	HPAE20013
Aegean SFC260EC/25	56	HPAE20014
Aegean SFC260EC/30	66	HPAE20015
Aegean SFC260EC/40	82	HPAE20016
Aegean SFC260EC/50	93	HPAE20017
Aegean SFC260EC/55	97	HPAE20018
Aegean SFC260EC/60	105	HPAE20019

For bespoke specifications, including electric heating capability please contact us to discuss your requirements

Aegean SVFC 500

A range of fan coil units suitable for all kinds of commercial applications, from restaurants and hotels to office developments, with the ability to rapidly heat and cool large areas with much greater efficiency than other similar heating and cooling systems

Applications

- Education
- Healthcare
- Leisure and sport
- Office
- Hospitality
- Retail
- Showroom
- Industrial



Features

- EC motor for BMS compliance
- Low sound levels
- Fully attenuated discharge plenum
- Positive fall drain tray
- Designed and made in the UK
- For bespoke specifications, including electric heating capability please contact us to discuss your requirements

Finish

Chassis manufactured from 1.2mm hot dipped galvanised steel
All flanges formed inward facing to prevent exposure to bare metal edges

Installation

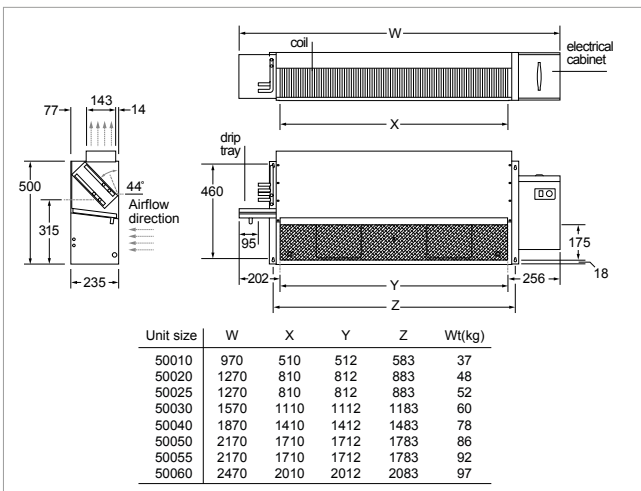
Flow and return connections 15mm
Designed for system pressures up to 10 bar
Fan coils are 4-pipe coils (heating and cooling circuit)

Customised requirements

- All leading manufacturers controls factory fitted
- Acoustically lined inlet plenum
- Rectangular spigot connection
- Concealed/hidden applications (underfloor, behind false walls and ceilings)
- Fresh air spigot
- Bespoke options

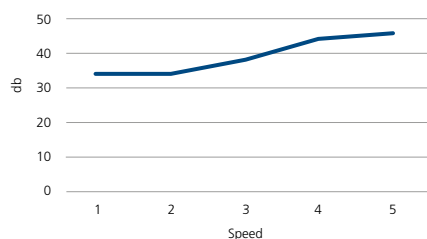
Specification

To specify state:
Vertical Fan Coil Unit 500mm high with EC motor.
As Smith's Aegean SVFC50010 (or SVFC50020, SVFC50025, SVFC50030, SVFC50040, SVFC50050, SVFC50055, SVFC50060)

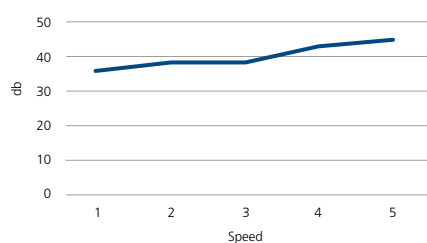


Acoustics

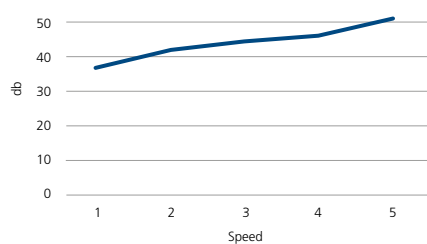
SVFC 500/10



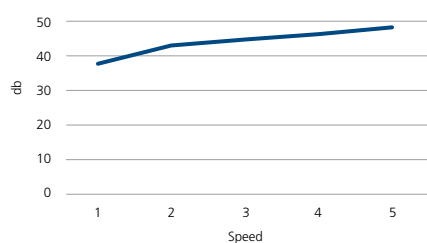
SVFC 500/20



SVFC 500/25



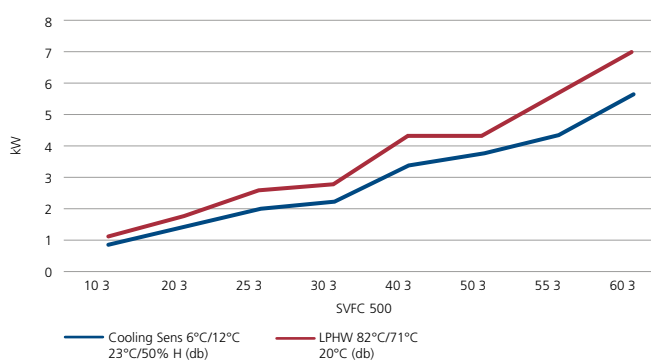
SVFC 500/30



Please note these graphs are a representation of the data, for the full accurate data set please download the datasheets from our website SmithsEP.co.uk

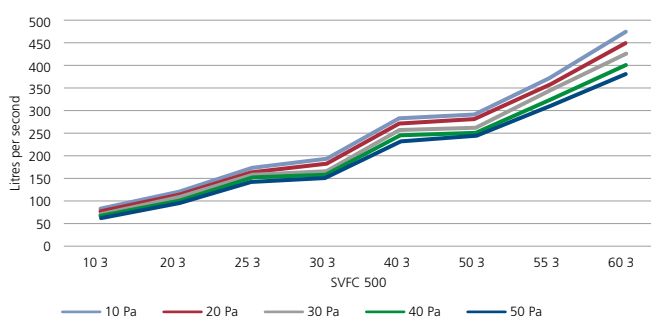
Cooling and heating outputs

SVFC 500 - Capacity (kW)



Air volume

SVFC 500



Ordering guide

Description	Wt (Kg)	Product Codes
Aegean SVFC500EC/10	37	HPAE20020
Aegean SVFC500EC/20	48	HPAE20021
Aegean SVFC500EC/25	52	HPAE20022
Aegean SVFC500EC/30	60	HPAE20023
Aegean SVFC500EC/40	78	HPAE20024
Aegean SVFC500EC/50	86	HPAE20025
Aegean SVFC500EC/55	92	HPAE20026
Aegean SVFC500EC/60	97	HPAE20027

For bespoke specifications, including electric heating capability please contact us to discuss your requirements

MINIB by Smith's

Smith's is excited to collaborate with MINIB, one of the leading manufacturers of fan convectors and trench heating in the Czech Republic

Applications

Education
Healthcare
Leisure and sport
Office
Hospitality
Retail
Showroom
Industrial



About MINIB

Since 1999, MINIB has invested considerably in the design and development of their products to ensure that they can offer technically and aesthetically mature solutions to their customers. The company's growth and success to date is echoed by the fact that they currently distribute to thirty countries in Europe, Asia, Australia and America

The Product

The Smith's range of MINIB trench heating convectors is a market leading design and with 25 natural- and 23 fan-assisted convection heaters it offers an unbeatable solution for every application. Available as both Heating only, and Heating and Cooling convectors they provide stylish solutions with a wide range of grilles and finishes.

The range of MINIB by Smith's trench heating has versions which are just 50mm deep minimising the depth of the trench they are placed in. There are also versions of the MINIB by Smith's range of Trench Heaters in 12v DC for specific applications.

Warranty

All of the MINIB by Smith's range of Trench Heating have a market leading 10-year warranty on the bodies and heat exchangers, and a 5-year warranty on the fans and controls.

Installation

MINIB by Smith's trench heating is supplied as complete products rather than kits to be made up on site. This minimises the risk of damage during installation and also ensures the correct installation of the product. Smith's products have been tested as a complete product rather than having to rely on sub-contractors to build-up, install and commission correctly. This also minimises on site and installation labour costs and time.

As part of Smith's service as a solution provider they offer an installation service for their trench heating convectors.

Expertise

Trench heating is complicated so getting the design and specification correct is essential. Smith's have over 25-years expertise in their team of working with customers to design, develop and implement trench-heating solutions.

Range

Please visit our website, contact your Smith's representative, or our Head Office for further information on the extensive MINIB by Smith's trench range.



Floor Convectors (Trench)



Wall Mounted Convectors



Freestanding Convectors



Design Convectors



Sargasso A

An elegant alternative solution to traditional wall mounted radiators, convection heaters and air conditioning systems

Applications

Education
Healthcare
Leisure and sport
Office
Hospitality
Retail
Showroom
Industrial



Features

- Suitable for use in both Standard T-Grid and Micro T system ceilings
- Each panel individually packaged for protection
- Loop panel width 595mm; available in lengths 595mm, 1195mm, 1795mm, 2395mm and 2995mm.
- Panel performance supported by independent test certification to EN 14037
- For bespoke specifications, including cooling capability please contact us to discuss your requirements

Benefits

- Create a more comfortable environment for occupants by creating an even temperature distribution across the room
- Save energy and money by achieving a higher perceived temperature than the actual room temperature
- Works well with lower temperature heating systems
- Provide an efficient solution offering a short heating and cooling time
- Installed within a ceiling or high on a wall they maximise wall and floor space
- Silent operation
- No dust/bacteria dispersal offering a hygienic solution
- Maintenance free
- Easy to clean so lower cleaning costs
- Can be integrated in plasterboard

Finish

Material: 2mm high-grade aluminium extrusion, lightweight, robust, optimum response time
Finish: RAL 9016 white powder coat
Insulation: Rigid non-fibrous, foil-faced insulation to EN13165 fire rating A2

Installation

Suitable for use in Micro T system and standard T-Grid system ceilings. Please note that Sargasso is compatible with regular ceiling profiles, but not compatible with Tegular or Microlook ceilings

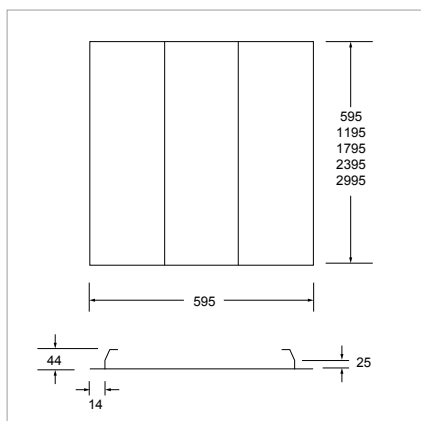
Suspension:

Suitable for installation from drop rods (not supplied). Panels longer than 1200mm will require 3 fixing locations

Specification

To specify state:

Radiant Panel in white (RAL 9016) at 600mm wide x 600mm (or 1200mm, 1800mm, 2400mm, 3000mm) long. As Smith's Sargasso A



Heat output (Watts)

Model	Output at ΔT °C								Hangers required
	30	35	40	45	50	55	60	65	
600 x 600	105	126	148	170	194	217	242	266	4
600 x 1200	210	252	296	340	388	434	484	532	4
600 x 1800	315	378	444	510	582	651	726	798	4
600 x 2400	420	504	592	680	776	868	968	1064	6
600 x 3000	525	530	740	850	970	1086	1210	1330	6

Ordering guide

Description	Width (mm)	Length (mm)	Operating weight including water (kg)	Kg/m ²	Product Codes
Sargasso A					
600mm loop panel	595	595	4.6	12.7	HPAE350000
1200mm loop panel	595	1195	9.1	12.7	HPAE350001
1800mm loop panel	595	1795	13.7	12.7	HPAE350002
2400mm loop panel	595	2395	18.3	12.7	HPAE350003
3000mm loop panel	595	2995	22.9	12.7	HPAE350004

Sargasso S

An elegant alternative solution to traditional wall mounted radiators, convection heaters and air conditioning systems

Applications

Education
Healthcare
Leisure and sport
Office
Hospitality
Retail
Showroom
Industrial



Features

- Suitable for use in both Standard T-Grid and Micro T system ceilings
- Each panel individually packaged for protection
- Loop panel width 595mm; available in lengths 595mm, 1195mm, 1795mm, 2395mm and 2995mm. Feed panel available as 595mm wide by 2395mm
- Panel performance supported by independent test certification to EN 14037
- For bespoke specifications, including cooling capability please contact us to discuss your requirements

Benefits

- Create a more comfortable environment for occupants by creating an even temperature distribution across the room
- Save energy and money by achieving a higher perceived temperature than the actual room temperature
- Works well with lower temperature heating systems
- Provide an efficient solution offering a short heating and cooling time
- Installed within a ceiling or high on a wall they maximise wall and floor space
- Silent operation
- No dust/bacteria dispersal offering a hygienic solution
- Maintenance free
- Easy to clean so lower cleaning costs
- Can be integrated in plasterboard

Finish

Material: Smooth faced panel manufactured from 1.2/2.0mm aluminium with panel edges returned for containment of insulation and increased panel rigidity. Pipe carrier manufactured from aluminium bonded to the panel under heat and pressure to ensure integrity of contact along the length of the panel
Finish: Polyester Powder coated supplied as standard with a RAL 9010 smooth finish with 20% gloss level; anti-bacterial coating and other colours are available. An anti-bacterial paint finish inhibiting the growth of micro-organisms is available, providing additional assistance in meeting infection control targets
Insulation: 30mm mineral wool pad sealed in tissue paper with foil face

Installation

Suitable for use in Micro T system and standard T-Grid system ceilings. Please note that Sargasso is compatible with regular ceiling profiles, but not compatible with Tegular or Microlook ceilings

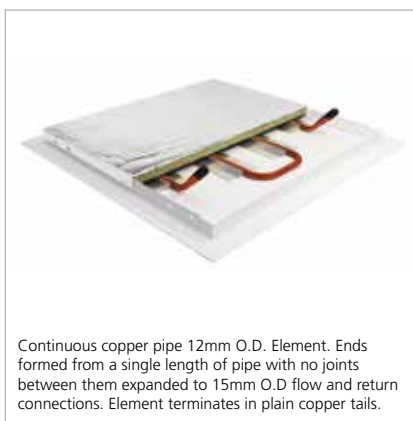
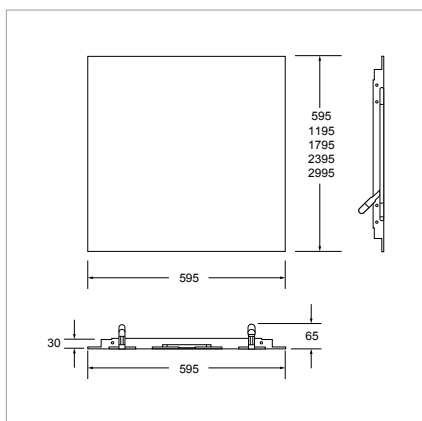
Suspension:

Suitable for installation from drop rods (not supplied). Panels longer than 1200mm will require 3 fixing locations

Specification

To specify state:

Radiant Panel in white (RAL 9010) at 600mm wide x 600mm (or 1200mm, 1800mm, 2400mm, 3000mm) long. As Smith's Sargasso S



Heat output (Watts)

Model	Output at ΔT °C							
	30	35	40	45	50	55	60	65
600 x 600	100	120	140	160	181	203	225	230
600 x 1200	199	240	280	320	361	406	450	460
600 x 1800	299	360	419	481	542	608	675	689
600 x 2400	398	480	559	641	722	811	900	919
600 x 3000	498	600	699	801	903	1014	1125	1149

Ordering guide

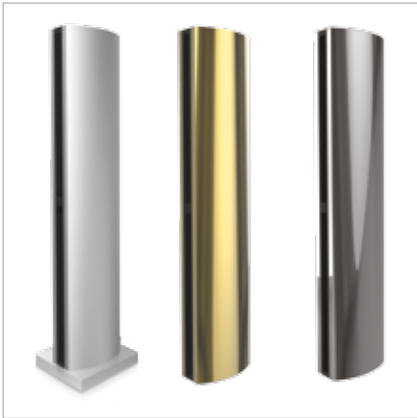
Description	Width (mm)	Length (mm)	Operating weight including water (kg)	Kg/m ²	Product Codes
Sargasso S					
600mm loop panel	595	595	7.9	22.0	HPAE350005
1200mm loop panel	595	1195	15.8	22.0	HPAE350006
1800mm loop panel	595	1795	23.8	22.0	HPAE350007
2400mm loop panel	595	2395	31.7	22.0	HPAE350008
3000mm loop panel	595	2995	39.6	22.0	HPAE350009
2400mm feed panel	595	2395	31.7	22.0	HPAE350010
Accessories					
L brackets 4 required per panel upto 1200mm long, 6 brackets required >1800mm long	-	-	-	-	HPAE355000

Air Curtains - Stella

Stella air curtains offer the ideal solution to separating climate zones within different temperatures by creating strong air flow in the vicinity of open doors

Applications

Office
Hospitality
Retail
Showroom



Features

- The use of Smith's air curtains reduces the loss of energy used for the heating or cooling of the premises and also acts as an effective barrier to dust, insects and odours
- An attractive addition to any modern interior, Stella air curtains have a stylish stainless steel body and are available in silver and gold mirror and brushed stainless steel finishes
- High-performance centrifugal fans
- Special form of aerodynamic pressure chamber ensures dense uniform air flow over the entire height of the curtain
- Swivel nozzle allows changing the direction of the air flow in case of change in external conditions to ensure efficient protection of the doorway
- Use of computer simulations of hydrodynamic processes ensured minimum noise level and high efficiency of curtain operation
- Fixing elements, electrical communications and connections to the heating system (when connected from the bottom) are not visible after installation of the air curtain
- The striking appearance of the curtains becomes an ornament of any modern interior

Finish

Body: Mirror Stainless Steel as standard
Also available in Brushed Stainless Steel or Gold Mirror Stainless Steel

Installation

Installed universally (horizontally to vertically) or as free-standing units
For interior use only

Controls

Remote control with thermostat. Control cabinet (optional)

Specification

To specify state:

Universally mounted electric Air Curtain in mirror stainless steel (or Brushed stainless steel, or Gold Mirror Stainless Steel) with swivel nozzle and with remote control and thermostat at 19.7kW or 26.2kW. As Smith's Air Curtains Stella Electric in Mirror Stainless Steel (or Brushed Stainless Steel, or Gold Mirror Stainless Steel) at 19.7kW or 26.2kW.

Universally mounted hydronic Air Curtain in mirror stainless steel (or Brushed stainless steel, or Gold Mirror Stainless Steel) with swivel nozzle and with remote control and thermostat at 29.2kW or 36.6kW. As Smith's Air Curtain Stella Hydronic in Mirror Stainless Steel (or Brushed Stainless Steel, or Gold Mirror Stainless Steel) at 29.2kW or 36.6kW

Ordering guide

Description	Net Wt (Kg)	Product Codes
Electric		
Stella E20	65	HPAC64001
Stella E20 Plus	70	HPAC64002
Stella E26	85	HPAC64003
Water		
Stella W29	65	HPAC64004
Stella W29 Plus	70	HPAC64005
Stella W37	85	HPAC64006

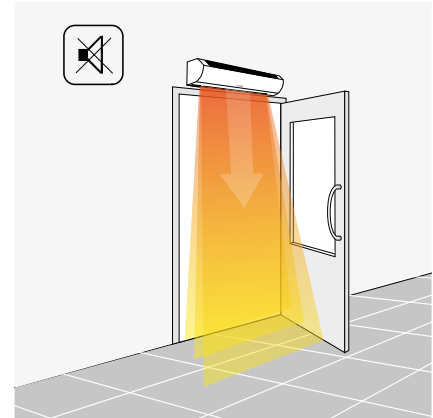
	HPAC64001 Electric	HPAC64002 Electric	HPAC64003 Electric	HPAC64004 Water	HPAC64005 Water	HPAC64006 Water
Heating power, kW	19.7	19.7	26.2	29.2 / 23.7	29.2 / 23.7	36.6 / 29.6
Capacity, m ³ /h	4800 / 2800	4800 / 2800	5600 / 2800	4800 / 2800	4800 / 2800	5600 / 2800
Maximum installation height, m	4.5	4.5	4.5	4.5	4.5	4.5
Supply voltage, V	415v (3 phase)	415v (3 phase)	415v (3 phase)	415v (3 phase)	415v (3 phase)	415v (3 phase)
Air temperature increase, °C	12 / 20 °C	12 / 20 °C	13 / 26 °C	21.9 / 27 °C	21.9 / 27 °C	23.5 / 29.8 °C
Device dimensions (WxHxD), mm	350x2015x500	350x2215x500	350x2415x500	350x2015x500	350x2215x500	350x2415x500
Package dimensions (WxHxD), mm	2290x775x550	2520x775x550	2820x775x550	2290x775x550	2520x775x550	2820x775x550

Air Curtains - S2/S2 Metallic Series

Smith's S2 and S2 metallic series of electric air curtains are ideal for smaller commercial spaces such as pavilions, small retail outlets, mini markets and pick-up windows

Applications

Office
Hospitality
Retail
Showroom



Features

- These stylish units deliver energy efficient and quiet protection against cold air from outside
- Innovative noise reduction system
- Shock-absorbing dampers to minimise noise
- Stitch-elements ensure fast heating and high temperature difference
- Operation mode without heating for protection against outside heat, dust and insects in summer
- Convenient and aesthetic connection to the terminals inside the housing (3kW model includes a power cord with plug)
- Built-in thermostat protects against overheating

Finish

White or metallic finish

Installation

Installed horizontally above doorway. Installation height of 2.5m

Controls

Controls on the body of the air curtain
Remote control with thermostat

Specification

To specify state:

Horizontally mounted electric Air Curtain at 3kW, 5.5kW, 6.6kW or 9.8kW output in white finish.

As Smith's Air Curtain S2 3.3kW, 5.5kW, 6.6kW or 9.8kW

Horizontally mounted electric Air Curtain at 3kW, 5.5kW, 6.6kW or 9.8kW output in metallic finish.

As Smith's Air Curtain S2 metallic 3.3kW, 5.5kW, 6.6kW or 9.8kW

Ordering guide

Description	Net Wt (Kg)	Product Codes
Electric		
S2 E3	4.5	HPAC64105
S2 E5	6.8	HPAC64106
S2 E5M	6.8	HPAC64107
S2 E7	8.4	HPAC64108
S2 E7M	8.4	HPAC64109
S2 E10	12.6	HPAC64110
S2 E10M	12.6	HPAC64111

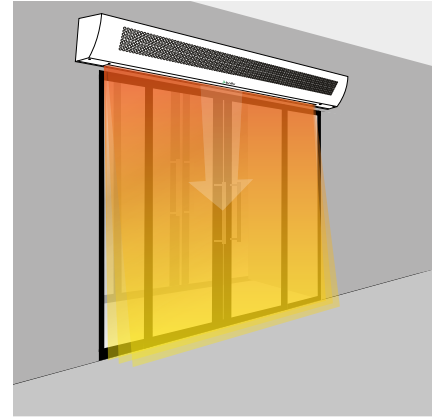
	HPAC64105 Electric	HPAC64106 Electric	HPAC64109 Electric	HPAC64107 Electric	HPAC64110 Electric	HPAC64108 Electric	HPAC64111 Electric
Heating power, kW	3.3 / 1.6 / 0	5.5 / 2.7 / 0	5.5 / 2.7 / 0	6.6 / 3.3 / 0	6.6 / 3.3 / 0	9.8 / 4.9 / 0	9.8 / 4.9 / 0
Capacity, m ³ /h	350	450	450	700	700	1 050	1 050
Maximum installation height, m	2.5	2.5	2.5	2.5	2.5	2.5	2.5
Supply voltage, V	230	230	230	230	230	415 (3 phase)	415 (3 phase)
Air temperature increase, °C	26 °C	34 °C	34 °C	26 °C	26 °C	26 °C	26 °C
Device dimensions (WxHxD), mm	585x150x155	800x150x155	800x150x155	1080x150x155	1080x150x155	1570x150x155	1570x150x155
Package dimensions (WxHxD), mm	630x165x185	860x165x185	860x165x185	1180x165x185	1180x165x185	1655x165x185	1655x165x185
Product colour	White	White	Metallic	White	Metallic	White	Metallic

Air Curtains - PS Series

The PS series are high performance, high efficiency air curtains for larger commercial spaces such as production premises, workshops, warehouses, logistics centres and sports facilities

Applications

Education
Healthcare
Leisure and sport
Office
Hospitality
Retail
Industrial



Features

- These air curtains can be mounted horizontally and vertically and feature two performance modes, 70% or 100% in order to best adapt their performance mode to the weather conditions
- Solid nozzle has no blind zones and provides reliable protection
- High-efficiency fans
- Precise balancing almost excludes vibration and ambient noise during operation of curtains
- Work chamber of special design generates stabilized laminar air flow
- Minimisation of turbulent flows in curtains ensures formation of solid closing flow, effectively protecting opening, at nozzle outlet
- Capillary protection thermostat ensures timely shutdown of curtain in case of overheating, and manual restart function excludes repeated overheating
- Anti-corrosive treatment and strong polymer coating of casing
- Operation mode without heating for protection from outdoor heat, dust and insects in summer

Finish

Anti-corrosive treatment and strong polymer coating of casing
White finish

Installation

Installed universally (horizontally to vertically)
Installation height up to 4.5m

Controls

Remote control with thermostat

Specification

To specify state:

Universally mounted electric Air Curtain constructed in anti-corrosive material with remote control and thermostat at 13.1kW, 19.7kW, 26.2kW or 39.3kW.

As Smith's Air Curtain PS Series 13.1kW, 19.7kW, 26.2kW or 39.3kW

Ordering guide

Description	Net Wt (Kg)	Product Codes
Electric		
PS E13	22.6	HPAC64101
PS E20	27.9	HPAC64102
PS E26	40.2	HPAC64103
PS E39	43.9	HPAC64104

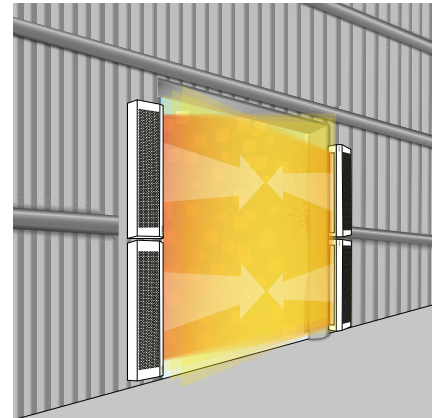
	HPAC64101 Electric	HPAC64102 Electric	HPAC64103 Electric	HPAC64104 Electric
Heating power, kW	13.1 / 6.6 / 0	19.7 / 9.8 / 0	26.2 / 13.1 / 0	39.3 / 19.7 / 0
Capacity, m ³ /h	2500 / 1800	4000 / 2700	5000 / 3500	5000 / 3500
Maximum installation height, m	4.5	4.5	4.5	4.5
Supply voltage, V	415 (3 phase)	415 (3 phase)	415 (3 phase)	415 (3 phase)
Air temperature increase, °C	15 / 20 °C	15 / 20 °C	15 / 21 °C	22 / 31 °C
Device dimensions (WxHxD), mm	1120x285x295	1530x285x295	2020x285x295	2020x285x295
Package dimensions (WxHxD), mm	1140x325x385	1540x325x385	2060x325x385	2060x325x385

Air Curtains - PS (W) Series

The PS(W) series are high performance, high efficiency air curtains for larger commercial spaces such as production premises, workshops, warehouses, logistics centres and sports facilities

Applications

Education
Healthcare
Leisure and sport
Office
Hospitality
Retail
Industrial



Features

- These air curtains can be mounted horizontally and vertically and feature two performance modes, 70% or 100% in order to best adapt their performance mode to the weather conditions
- In the summer, these air curtains can be operated without heating to protect against outside heat, dust and insects
- Reliable copper-aluminium heat exchanger with working pressure up to 16 bar at 150 °C
- Corrugated finning increases the heat exchange area and enhances the heating efficiency
- High-performance aluminium fans
- Precise balancing practically eliminates vibration and extraneous noise during operation of the air curtains
- Working chamber of special structure developed jointly with the Punker company (Germany) creates a stabilized laminar air flow
- Minimisation of turbulent flows in the air curtains ensures the formation of a dense shearing flow at the nozzle exit which protects the opening
- Universal connection to the heating system - pipes are output on the left or right side of the housing

Finish

Anti-corrosive treatment and strong polymer coating of casing
White finish

Installation

Installed universally (horizontally to vertically)
Installation height up to 4.5m

Controls

Remote control with thermostat

Specification

To specify state:
Universally mounted hydronic Air Curtain with a copper heat exchanger with remote control and thermostat at 8.4kW, 18.1kW, 18.4kW, 27.7kW, 29.2kw or 36.6kW.
As Smith's Air Curtain PS (W) Series 8.4kW, 18.1kW, 18.4kW, 27.7kW, 29.2kw or 36.6kW

Ordering guide

Description	Net Wt (Kg)	Product Codes
Water		
PS (W) W8 - 3.5	19	HPAC64201
PS (W) W18 - 3.5	26	HPAC64202
PS (W) W28 - 3.5	30	HPAC64203
PS (W) W18 - 4.5	23.7	HPAC64204
PS (W) W29 - 4.5	31	HPAC64205
PS (W) W37 - 4.5	43	HPAC64206

	HPAC64201 Water	HPAC64202 Water	HPAC64203 Water	HPAC64204 Water	HPAC64205 Water	HPAC64206 Water
Heating power, kW	8.4 / 7.9 / 7.3	18.4 / 17.0 / 15.5	27.7 / 25.2 / 22.4	18.1 / 16.5 / 14.7	29.2 / 26.6 / 23.7	36.6 / 33.3 / 29.6
Capacity, m ³ /h	1400 / 1200 / 1000	2300 / 2000 / 1700	3200 / 2700 / 2300	2500 / 2100 / 1700	4000 / 3200 / 2600	5000 / 4200 / 2400
Maximum installation height, m	3.5	3.5	3.5	4.5	4.5	4.5
Supply voltage, V	230	230	230	230	230	230
Air temperature increase, °C	23.6 / 25.5 / 27.8 °C	27.4 / 27.4 / 29.5 °C	27 / 29.2 / 31.9 °C	23.2 / 25.2 / 27.8 °C	23.5 / 25.4 / 28 °C	23.4 / 25.4 / 28 °C
Device dimensions (WxHxD), mm	1090x260x240	1450x260x240	1900x260x240	1100x300x290	1510x300x290	1960x300x290
Package dimensions (WxHxD), mm	1130x330x280	1512x330x280	1940x330x280	1140x385x325	1540x385x325	2060x385x325

Solano

A modern and lightweight hydronic fan-assisted unit heater designed to heat large areas such as warehouses, showrooms and workshops

Applications

Industrial
Workshops
Retail
Showrooms
Leisure and sport



Features

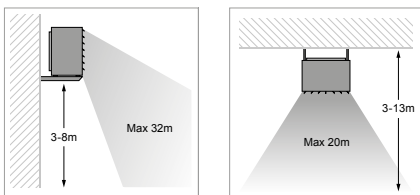
- Lightweight for easy installation <15kg
- High performance heat output up to 70kW
- Air volumes up to 4900 m³/h
- 3 speed fan
- Attractive design
- Five year warranty

Finish

Expanded Polypropylene (EPP) - Silver grey

Installation

Suitable for wall or ceiling mounting.
Bracket design aids installation at also 30° and 60°.



Specification

To specify state: Lightweight hydronic fan-assisted unit heater at 10-30kW/30-50kW/50-70kW. As Smith's Solano.

Technical data

		HEATER R1	HEATER R2	HEATER R3	HEATER MIX ¹
Heat output range	kW	10-30	30-50	50-70	-
Max. air output	m ³ /h	4 900	4 600	4 400	5 500
No. of unit rows	-	1	2	3	0
Air temperature increase*	°C	18	33	48	-
Max. working pressure	Mpa	1.6	1.6	1.6	-
Max. airflow range	m	27	25	24	15 **
Diameter of connection nozzles	inches	3/4"	3/4"	3/4"	-
Power supply	V/Hz A	230/50		1.15 A	
Motor power	kW	0.25	0.25	0.25	0.25
Motor speed	rpm	1350	1350	1350	1350
Protection class IP	-	IP54	IP54	IP54	IP54
Sound level	dB (A)***	56	56	56	56
Weight without water/with water	kg	10.8 / 11.9	12.7 / 14.8	14.5 / 16.9	9.2

* for temperatures of 90/70 and inlet temperature of 0°C

** max installation height for horizontal installation, working area max 380 m²

*** measured in distance of 5m

¹ HEATER MIX is a HEATER series unit without an exchanger for the destratification (displacement) of the warm air that accumulates at ceiling level in rooms with high ceilings. The HEATER MIX can also be used to increase the reach of warm air generated by the Solano Heaters.

Controls



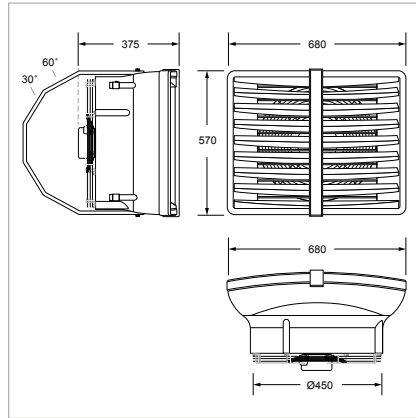
- Panel COMFORT
- Manual temperature regulation
 - Fan speed change
 - Ventilation in summer season
 - Control up to 3 pcs of HEATER



- Panel INTELLIGENT
- Weekly thermostat
 - Automatic change of fan speed depending on room temperature
 - BMS communication
 - Control up to 2 pcs of HEATER



- Splitter MULTI 6
- Control up to 6 pcs of HEATER



Heat output For other heat output data please visit our website

Heater R1		Air flow 4900 m ³ /h (speed 3)														
Inlet/outlet water temperature		water 70/50 °C					water 80/60 °C					water 90/70 °C				
Inlet air temperature	°C	0	5	10	15	20	0	5	10	15	20	0	5	10	15	20
Heat output	kW	19.5	17.6	15.8	14.1	12.3	23.4	21.5	19.6	17.7	15.8	27.5	25.6	23.5	21.4	19.3
Outlet air temperature	°C	12.5	16.5	20.5	24.5	28.5	15.0	19.0	23.0	27.0	31.0	17.5	21.5	25.5	29.5	33.5
Water flow	m ³ /h	0.7	0.6	0.6	0.5	0.5	0.9	0.8	0.8	0.7	0.7	1.1	1	1	0.9	0.7
Pressure drop	kPa	0.9	0.8	0.8	0.7	0.6	1.4	1.2	1	0.8	0.6	2.0	1.8	1.6	1.4	1.2

Heater R2		Air flow 4600 m ³ /h (speed 3)														
Inlet/outlet water temperature		water 70/50 °C					water 80/60 °C					water 90/70 °C				
Inlet air temperature	°C	0	5	10	15	20	0	5	10	15	20	0	5	10	15	20
Heat output	kW	34.6	31.2	27.8	24.4	21.0	41.5	38.0	34.5	30.9	27.4	48.4	44.9	41.5	38.0	34.6
Outlet air temperature	°C	24.0	26.9	29.9	33.0	36.1	28.5	31.5	34.4	37.5	40.5	32.5	35.4	38.5	41.5	44.6
Water flow	m ³ /h	1.4	1.2	1.1	1.0	0.9	1.8	1.6	1.5	1.4	1.2	1.9	1.8	1.8	1.7	1.5
Pressure drop	kPa	5.3	4.6	3.7	2.8	1.9	7.6	6.7	5.8	4.9	4.0	10.6	9.7	8.8	7.9	7.0

Heater R3		Air flow 4400 m ³ /h (speed 3)														
Inlet/outlet water temperature		water 70/50 °C					water 80/60 °C					water 90/70 °C				
Inlet air temperature	°C	0	5	10	15	20	0	5	10	15	20	0	5	10	15	20
Heat output	kW	49.2	45.3	41.6	38.3	34.4	58.4	54.2	50.1	46.1	42.3	67.6	63.4	59.3	55.1	51.1
Outlet air temperature	°C	34.5	37	39	41	43	41.5	44	46	48	50	47.5	50	52	54	56
Water flow	m ³ /h	1.9	1.9	1.7	1.5	1.3	2.4	2.4	2.2	1.9	1.8	2.8	2.8	2.6	2.4	2.2
Pressure drop	kPa	12.3	9.6	7.9	6.4	5	16.7	13.6	11.6	9.7	8.1	21.7	18.1	15.8	13.7	11.8

Ordering guide

Model	Wt (kg)	Product Codes	Accessories	Product Codes
HEATER R1 (10-30 kW)	10.8 / 11.9	HPUH310001	Panel INTELLIGENT	HPUH310008
HEATER R2 (30-50 kW)	12.7 / 14.8	HPUH310002	Panel COMFORT	HPUH310009
HEATER R3 (50-70 kW)	14.5 / 16.9	HPUH310003	Splitter MULTI 6	HPUH310010
HEATER MIX	9.2	HPUH310004		

Pedestal

A new range of freestanding convector pedestal heaters, Kiosk, Trafalgar, and Tube in a variety of shapes, lengths and finishes

Applications

Education
Healthcare
Leisure and sport
Office
Hospitality
Retail
Showroom



Features

- Perfect for beneath large windows, Smith's freestanding pedestal heaters help to minimise the problem of downward cold airflow with commonly associated with glazed façades
- Fitting into the smallest of spaces Smith's range of freestanding pedestal heaters provide a stylish solution without the need for wall hung heaters
- Minimal height of max. 206mm and lengths from 0.5m to 2m
- Without fan for dry and wet environments
- Perfect for where sub-floor trench heating is not possible
- Heat source: boiler or heat pump

Finish

Outer casing 1.2mm zintec. Polyester powder coated
Paint specification: textured white BS 4800 00A01 18% gloss

Installation

Flow and return connections 22mm copper
Designed for system pressures up to 10 bar
Suitable for two pipe central heating systems only

Customised requirements

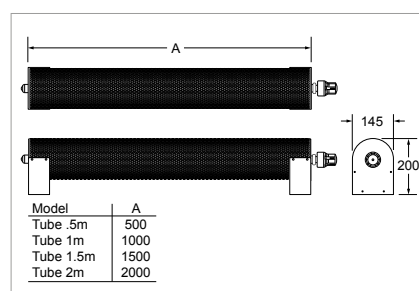
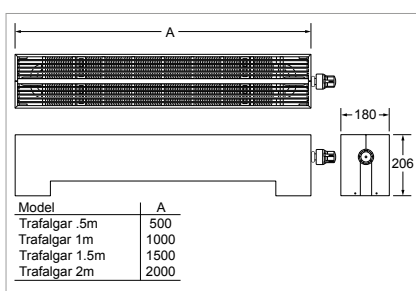
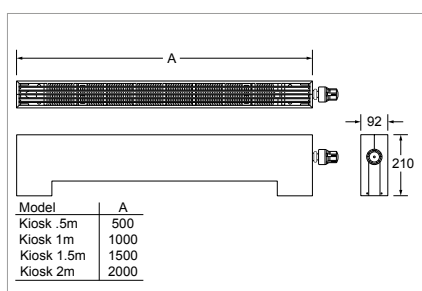
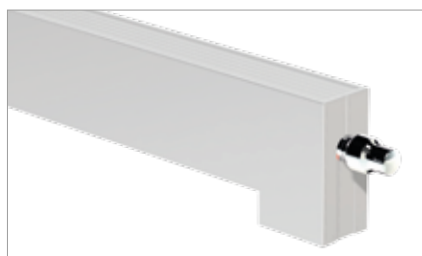
Any colour finishes are available on request
Price and availability will be confirmed at the time of order

Controls

Supplied with TRV and lockshield valve

Specification

To specify state:
Low height freestanding pedestal heater in linear form with rectangular profile, large rectangular profile or circular profile.
As Smith's Kiosk, Trafalgar or Tube



Heat output

Product length	ΔT °C					
	20 ΔT	30 ΔT	40 ΔT	50 ΔT	60 ΔT	70 ΔT
Kiosk						
0.5m	22	39	60	83	109	136
1.0m	73	133	202	281	367	459
1.5m	125	226	345	479	626	783
2.0m	176	320	487	677	884	1106
Trafalgar						
0.5m	39	72	110	154	201	253
1.0m	133	243	373	519	681	856
1.5m	226	414	635	885	1160	1459
2.0m	320	585	898	1250	1640	2062
Tube						
0.5m	36	64	96	132	170	212
1.0m	88	157	237	325	421	524
1.5m	141	251	378	519	671	836
2.0m	193	344	519	712	922	1148

Entering ambient air temperature of 20°C
Outputs in Watts. In accordance with EN442 - BSRIA verified

How to calculate Mass Flow Rate (L/S)

$$M = H / CP \times (\text{Flow } ^\circ\text{C} - \text{Return } ^\circ\text{C})$$

M = Mass flow rate (L/S)
H = Output of product (W)
CP = Specific heat capacity [J/(kg·°C)]. Varies upon system temperature, Approx. 4187 if fluid is water.

How to calculate Mean Water Temperature (ΔT)

$$\text{Mean water temperature } (\Delta T) \left[\frac{\text{Flow temperature} + \text{Return temperature}}{2} \right] - \text{Ambient Temperature}$$

Ordering guide

Listed below are the Pedestal complete with TRV.

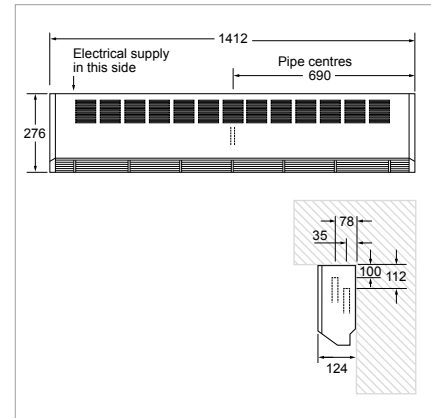
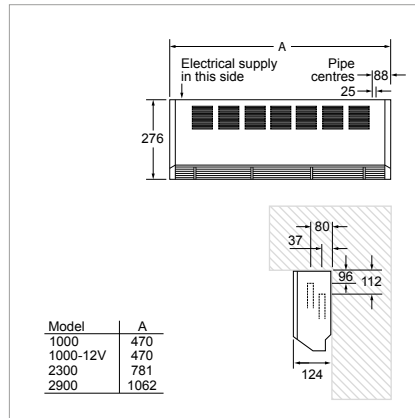
Description	Wt (kg)	Product Codes
Kiosk		
500 Kiosk pedestal natural convector white TRV	5	HPKI100025
1000 Kiosk pedestal natural convector white TRV	10	HPKI100028
1500 Kiosk pedestal natural convector white TRV	15	HPKI100031
2000 Kiosk pedestal natural convector white TRV	20	HPKI100034
Trafalgar		
500 Trafalgar pedestal natural convector white TRV	8	HPTR110025
1000 Trafalgar pedestal natural convector white TRV	16	HPTR110028
1500 Trafalgar pedestal natural convector white TRV	24	HPTR110031
2000 Trafalgar pedestal natural convector white TRV	32	HPTR110034
Tube		
500 single rnd pedestal natural convector black rnd perf	5	HPTU110000
1000 single rnd pedestal natural convector black rnd perf	10	HPTU110003
1500 single rnd pedestal natural convector black rnd perf	15	HPTU110006
2000 single rnd pedestal natural convector black rnd perf	20	HPTU110009

Ecovector® High

The Ecovector Hydronic fan convectors provide effective and dependable heating for both small and large commercial areas, fitted unobtrusively above head height

Applications

Education
Healthcare
Places of worship
Leisure and sport
Office
Hospitality
Retail
Showroom
Industrial
Residential



Features

- They work particularly well in shops and libraries, where lower wall space is limited
- Compatible with most types of wet central heating systems, functioning equally efficiently with conventional boilers, biomass technology or ground or air source heat pumps
- Supplied as standard in white but casing can be supplied in any colour

Motor

AC only

Finish

Front casing: zinc-coated steel.
Polyester powder-coated RAL 9010
Side panels: polymer eggshell white

Installation

Maximum installation height 2.1m (6'11") to underside
No top or side clearance required
Unit must be earthed (except model 1000-12V)
Suitable for two-pipe central heating systems
Patress box not supplied for transformer (model 1000-12V)

Heat Output For other heat output data please visit our website

Model	Heat Output at 75°		Heat Output at 45°	
	Normal (kW)	Boost (kW)	Normal (kW)	Boost (kW)
Ecovector 1000	1.0	1.2	0.5	0.6
Ecovector 2300	2.1	2.8	1.1	1.4
Ecovector 2900	2.7	4.0	1.4	2.0
Ecovector 4000	3.7	4.8	1.8	2.5
Ecovector 1000-12V	1.0	1.2	0.5	0.5

Commissioning

Check water is hot enough to activate the low temperature cut-out thermostat. The inclusion of an automatic air vent at the highest point is recommended to avoid possible air locks

Controls

Two rocker switches - normal/off/boost, heating/fan-only
Low temperature cut out thermostat, set to energise fan at approximately 35°C

Accessories

See matrix on page 70

Specification

To specify state:
High level hydronic fan convector in white.
As Smith's Ecovector High 1000/2300/2900/4000/1000-12V.

Ordering guide

Model	Packed Wt (kg)	Product Codes
Ecovector 1000	7	HPEV50011
Ecovector 2300	11	HPEV50012
Ecovector 2900	15	HPEV50013
Ecovector 4000	18	HPEV50014
Ecovector 1000-12V	8	HPEV50015
Accessories		
Remote (Wired) Room Thermostat		HAGA95001
Remote (Wired) Room Thermostat Siemens		HACA33077
Remote (Wireless) Room Thermostat Siemens RF		HACA33074
Remote (Wired) Room Thermostat Siemens Tamper Proof		HAGA95004

Model	Flow & return connections	Mains cable	Trans-former	Fused spur	Total Power Consumption		Water Capacity (Litres)	Sound Levels		Casting colour	Fan-only
					Normal (Watts)	Boost (Watts)		Normal (dBA)	Boost (dBA)		
Ecovector 1000	15mm	1.5m	n/a	3A	20	25	0.28	32	40	white	•
Ecovector 2300	15mm	1.5m	n/a	3A	20	32	0.32	34	50	white	•
Ecovector 2900	15mm	1.5m	n/a	3A	33	50	0.52	37	51	white	•
Ecovector 4000	22mm	1.5m	n/a	3A	40	60	1.04	39	52	white	•
Ecovector 1000-12V	15mm	0.45m	•	3A	20	25	0.28	32	39	white	•

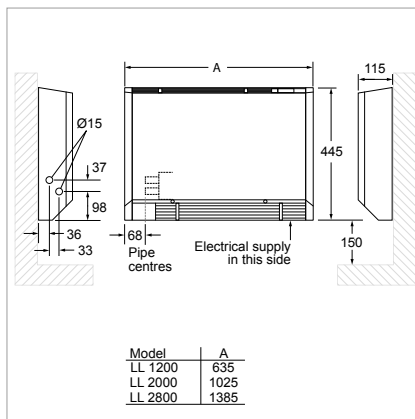
Heat outputs tested in accordance with BS4856 using entering water temperature and 340 l/h (75gph) flow rate. Sound levels measured at 1.5m.

Ecovector® Low

Ecovector Low Level fan convectors provide warmth from the floor upwards and are more energy efficient and effective than radiators

Applications
 Education
 Healthcare
 Places of worship
 Leisure and sport
 Office
 Hospitality
 Retail
 Showroom
 Industrial
 Residential

COMMERCIAL



Features

- The Ecovector can heat up a room more quickly than radiators, thereby reducing the amount of time your boiler or heat pump is running - making it extremely efficient and cost effective
- Compatible with most types of wet central heating systems, functioning equally efficiently with conventional boilers, biomass technology or ground or air source heat pumps
- Ideal for new and existing developments, due to ease of installation, the Ecovector is available in a range of models to suit varying room sizes and heat output requirements
- Supplied as standard in white but casing can be supplied in any colour

Motor

AC only

Finish

Front casing: zinc-coated steel.
 Polyester powder-coated RAL 9010
 Side panels: polymer eggshell white

Installation

Mounting bracket supplied
 Unit must be earthed
 Suitable for two-pipe central heating systems
 Minimum height above floor level 150mm
 Maximum height above floor level 500mm

Commissioning

Check water is hot enough to activate the selectable low temperature cut-out thermostat

Control

Rocker switch - normal/off/boost
 Built-in room thermostat
 Low temperature cut-out thermostat set to energise fan at approximately 35°C

Specification

To specify state:
 Low level hydronic fan convector in white.
 As Smith's Ecovector Low LL1200/LL2000/LL2800

Heat Output For other heat output data please visit our website

Model	Heat Output at 75°		Heat Output at 45°	
	Normal (kW)	Boost (kW)	Normal (KW)	Boost (KW)
Ecovector LL 1200	1.1	1.4	0.5	0.6
Ecovector LL 2000	1.9	2.4	0.9	1.1
Ecovector LL 2800	2.6	3.2	1.2	1.5

Ordering guide

Model	Packed Wt (kg)	Product Codes
Ecovector LL 1200	12	HPEV50001
Ecovector LL 2000	17	HPEV50002
Ecovector LL 2800	24	HPEV50003

Model	Flow & return connections	Mains cable	Trans-former	Fused spur	Total Power Consumption		Water Capacity (Litres)	Sound Levels		Casting colour	Fan-only
					Normal (Watts)	Boost (Watts)		Normal (dBA)	Boost (dBA)		
Ecovector LL 1200	15mm	1.5m	n/a	3A	17	21	0.29	32	38	white	n/a
Ecovector LL 2000	15mm	1.5m	n/a	3A	26	55	0.58	35	40	white	n/a
Ecovector LL 2800	15mm	1.5m	n/a	3A	43	76	0.83	37	42	white	n/a

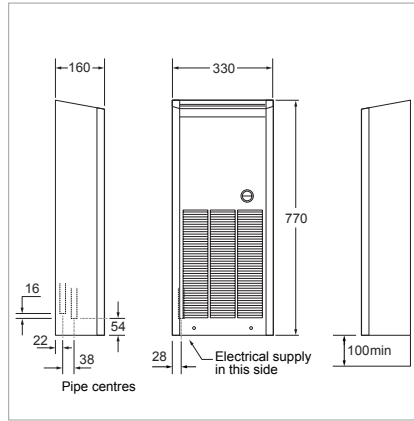
Heat outputs tested in accordance with BS4856 using entering water temperature and 340 l/h (75gph) flow rate. Sound levels measured at 1.5m.

Ecovector® Vertical

Ideal for hallways, corridors, alcoves and other places where space is limited. Ecovector can heat up a room more quickly than radiators, thereby reducing the amount of time your boiler or heat pump is running - making it extremely efficient and cost effective

Applications

Education
Healthcare
Places of worship
Leisure and sport
Office
Hospitality
Retail
Showroom
Industrial
Residential



Features

- Ideal for new and existing building developments
- Compatible with most types of wet central heating systems, functioning equally efficiently with conventional boilers, biomass technology or ground or air source heat pumps
- Supplied as standard in white but casing can be supplied in any colour

Motor

AC only

Finish

Front casing and side panels: zinc-coated steel
Polyester powder-coated RAL 9010

Installation

Mounting bracket supplied
Unit must be earthed
Suitable for two-pipe central heating systems
Minimum height above floor level 150mm, maximum height above floor level 500mm

Commissioning

Check water is hot enough to activate the selectable low temperature cut-out thermostat

Controls

Rocker switch - normal/off/boost
Low temperature cut-out thermostat set to energise fan at approximately 35°C
Wireless wall mounted thermostat included with this product

Specification

To specify state:
Vertical floor mounted hydronic fan convector in white.
As Smith's Ecovector Vertical.

Heat Output For other heat output data please visit our website

Model	Heat Output at 75°		Heat Output at 45°	
	Normal (kW)	Boost (kW)	Normal (kW)	Boost (kW)
Ecovector VE 2500	2.3	2.4	1.1	1.1

Ordering guide

Model	Packed Wt (kg)	Product Codes
Ecovector VE 2500	7	HPEV50021

Model	Flow & return connections	Mains cable	Trans-former	Fused spur	Total Power Consumption		Water Capacity (Litres)	Sound Levels		Casting colour	Fan-only
					Normal (Watts)	Boost (Watts)		Normal (dBA)	Boost (dBA)		
Ecovector VE 2500	15mm	1.5m	n/a	3A	28	36	0.75	36	39	white	n/a

Heat outputs tested in accordance with BS4856 using entering water temperature and 340 l/h (75gph) flow rate. Sound levels measured at 1.5m.

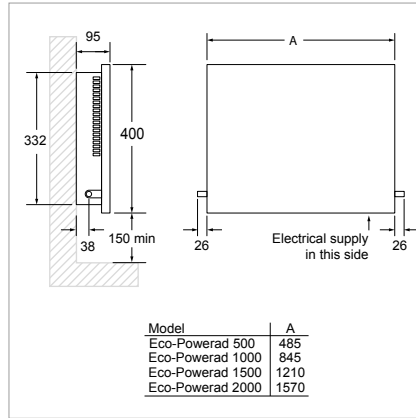
Eco-Powerad®

The Eco-Powerad is the fan convector of the future - energy efficient, responsive and suitable for installation within most wet central heating systems, driven by either boilers or low temperature renewable technology

Applications

Education
Healthcare
Places of worship
Leisure and sport
Office
Hospitality
Retail
Showroom
Residential

COMMERCIAL



Features

- Compact, with smooth lines to achieve visual simplicity, the Eco-Powerad also features low surface temperature casing for complete safety and possesses a very low operating sound - between 28 and 32 decibels
- Compatible with most types of wet central heating systems, functioning equally efficiently with conventional boilers, biomass technology or ground or air source heat pumps
- Supplied as standard in white but casing can be supplied in any colour

Motor

AC only

Finish

Front casing: zinc coated steel
Polyester powder-coated RAL 9010

Installation

Mounting bracket supplied
Unit must be earthed
Suitable for two-pipe central heating systems
Minimum height above floor level 150mm
Maximum height above floor level 500mm

Commissioning

Check water is hot enough to activate the low temperature cut-out thermostat. Ensure system is balanced for even heat distribution

Control

Low temperature cut-out thermostat, set to energise fan at approximately 35°C
Suitable for thermostatic radiator valves (TRV) - not supplied
Rocker switch - normal/low

Specification

To specify state:
Wall mounted hydronic heat emitter with fan and low temperature cut-out.
As Smith's Eco-Powerad 500/1000/1500/2000

Heat Output For other heat output data please visit our website

Model	Heat Output at 75° (kW)	Heat Output at 45° (kW)
Eco-Powerad 500	0.8	0.4
Eco-Powerad 1000	2.1	0.8
Eco-Powerad 1500	2.4	1.2
Eco-Powerad 2000	3.5	1.7

Ordering guide

Model	Packed Wt (kg)	Product Codes
Eco-Powerad 500	6	HPEP52001
Eco-Powerad 1000	10	HPEP52002
Eco-Powerad 1500	14	HPEP52003
Eco-Powerad 2000	18	HPEP52004

Model	Flow & return connections	Mains cable	Transformer	Fused spur	Total Power Consumption (Watts)	Water Capacity (Litres)	Sound Levels (dBA)	Casting colour
Eco-Powerad 500	15mm	2m	n/a	3A	15	0.17	28	white
Eco-Powerad 1000	15mm	2m	n/a	3A	18	0.28	30	white
Eco-Powerad 1500	15mm	2m	n/a	3A	33	0.44	31	white
Eco-Powerad 2000	15mm	2m	n/a	3A	36	0.55	32	white

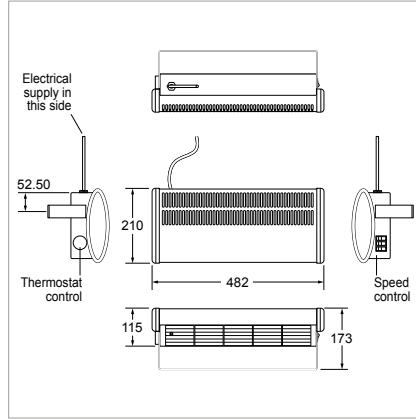
Heat outputs tested in accordance with BS4856 using entering water temperature and 340 l/h (75gph) flow rate. Sound levels measured at 1.5m.

Sterling

The Sterling fan-assisted electric heater is a great low cost solution providing effective and dependable heating for both small and large commercial areas, fitted unobtrusively above head height

Applications

- Education
- Healthcare
- Places of worship
- Leisure and sport
- Office
- Hospitality
- Retail
- Showroom
- Industrial
- Residential



Features

- It has been designed for rooms with limited lower wall space, such as shops and libraries

Motor

AC only

Finish

Outer casing 0.9mm zinc-coated steel
 Polyester powder-coated white
 Side panels: Polymer - white

Installation

Recommended installation height 2.3m (7ft 6") to underside
 Not suitable for bathrooms and other high humidity areas
 Angled mounting (optional)
 13 amp fused spur required
 Unit must be earthed

Controls

Rocker switches for fan and element - fan only 1kW/2kW/3kW
 Built-in room thermostat
 Overheat protection: thermal cut-out
 Manual reset procedure: switch power off at mains, wait 20 minutes, switch power on

Specification

To specify state:
 3-speed electric fan-assisted heater in white polyester coated 0.9mm zinc-coated steel body with built in room thermostat.
 As Smith's Sterling.

Heat output

Model	Heat Output (kW)
Sterling E 3kW	1kW/2kW/3kW

Ordering guide

Model	Packed Wt (kg)	Product Codes
Sterling E 3kW	4	HPST51012

Model	Fused spur	Total Power Consumption (kW)	Sound Levels (dBA)	Casting colour	Fan-only
Sterling E 3kW	13A	1kW/2kW/3kW	39	white	•

Sound levels measured at 1.5m with the product installed at 2.2m high

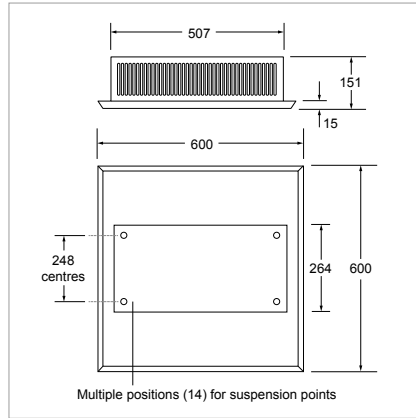
Skyline®

The electric Skyline fits neatly into existing ceiling space - replacing a 600mm x 600mm ceiling tile and because it is ceiling mounted, it saves valuable wall space - particularly important in retail units

Applications

Education
Healthcare
Leisure and sport
Office
Hospitality
Retail
Industrial

COMMERCIAL



Features

- It is unobtrusive and effective
- This high output fan convector effectively heats large areas
- Supplied as standard in white but can be supplied in any colour

Motor

AC only

Finish

Outer casing 0.9mm zinc-coated steel
Polyester powder-coated
Polyester powder-coated RAL 9010

Installation

Maximum installation height 3.2m (10'6") to underside
Minimum 150mm void space required for recessed installation
Not suitable for bathrooms and other high humidity areas
Two air inlet options: room only, room and void
Maximum flexibility in installation: only 600mm - side clearance required
Facility for connection to 6mm threaded rod or chains (rods and chains - not supplied)
20 amp fused spur required
Unit must be earthed
Supplied with remote operating switch

Control

Rocker switches for fan and element
Overheat protection: thermal cut-out.
Manual reset procedure: switch power off at mains, wait 5 minutes, switch power on
Time and temperature control - available from April 2018

Attachment

Surface mounting kit - 135mm. Provides a complete foursided trim when fitted to a solid ceiling
Ceiling tile spacer (85mm)

Specification

To specify state:
Ceiling mounted heat emitter at 4Kw in white 600x600mm.
As Smith's Skyline.

Heat output

Model	Heat Output (Kw)
Skyline E 4kW	4.0

Ordering guide

Model	Packed Wt (kg)	Product Codes
Skyline E 4kW	9	HPSK40003
Attachments		
Surface Mounting Kit (135mm)		HASK40102
Ceiling Tile Spacer (85mm)		HASK40103

Model	Mains cable	Fused spur	Total Power Consumption (kW)	Sound Levels (dBA)	Casting colour	Fan-only
Skyline E 4kW	1.5m	20A	4.1	40	white	n/a

Sureline®

Provides gentle, discreet and efficient low-level warmth and is the ideal heating solution for areas where wall space is limited - rooms such as loft conversions and new-builds

Applications

Education
Healthcare
Leisure and sport
Office
Hospitality
Retail
Showroom
Residential



Features

- Simple to install along the skirting in any room, Sureline is an efficient natural convector that provides discreet heating
- Supplied as standard in white but casing can be supplied in any colour

Finish

Outer casing 0.7mm zinc coated steel. Polyester, powder-coated. Paint specification: textured white BS 4800 00A01 18% gloss. Each length includes casing, element, backplate and joining strip. Casing only includes casing, backplate and joining strip

Installation

Minimum clearance above floor 50mm
Flow and return connections 22mm copper
Designed for system pressures up to 10 bar
Suitable for two-pipe central heating systems only

Attachments

Casing only (1000mm)
LH valve box/end cap kit
RH valve box/end cap kit
Centre valve cover
90° internal cover
90° external cover
135° internal cover
135° external cover
Finger guard 500 (500mm)
Finger guard 1000 (1000mm)
Element (1000mm)



Customised requirements

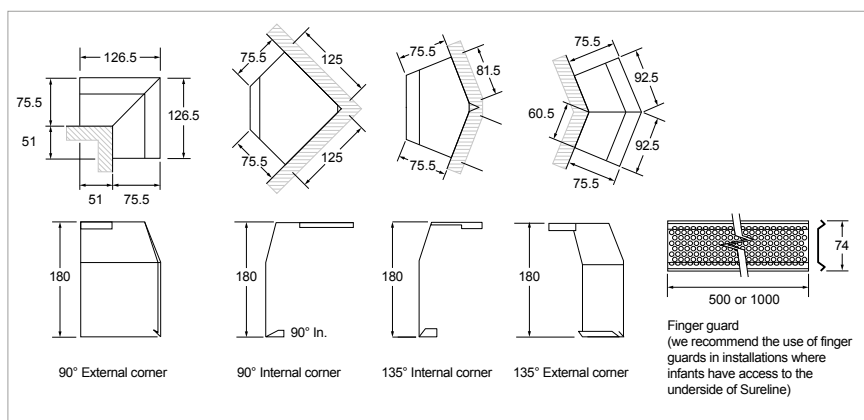
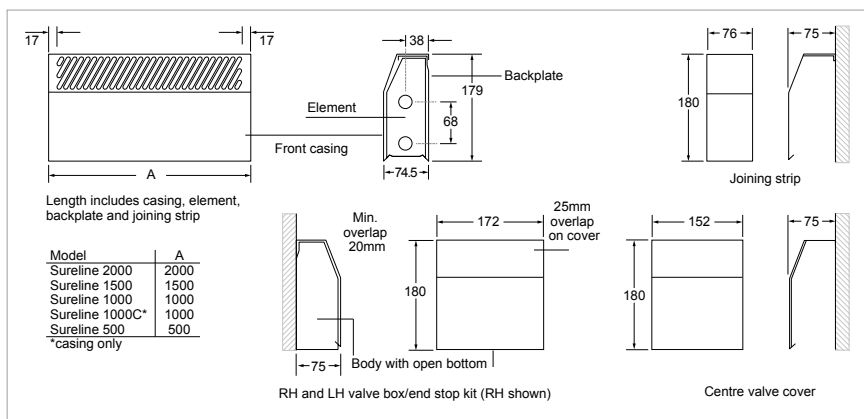
We are able to offer casings painted in any colour. Price and availability will be confirmed at the time of order

Specification

To specify state:
Skirting level perimeter hydronic heat emitter in white.
As Smith's Sureline 500/1000/1500/2000.

Heat Output For other heat output data please visit our website

	Flow Rate L/h (G/h)	Btu/h/m @ average water temperature						W/m @ average water temperature					
		50°C	55°C	60°C	65°C	70°C	75°C	50°C	55°C	60°C	65°C	70°C	75°C
 Two supplies - Parallel	920 (200)	1310	1570	1820	2070	2300	2560	380	460	530	610	670	750
 Bottom supply - Top return	920 (200)	1030	1250	1460	1710	1920	2140	300	370	430	500	560	630



Ordering guide

Model	Packed Wt (kg)	Product Codes
Sureline 500	5	HPSL30001
Sureline 1000	7	HPSL30002
Sureline 1500	10	HPSL30003
Sureline 2000	14	HPSL30004

Attachments	Product Codes
Casing only	HASL30101
LH valve box/end cap kit	HASL30102
RH valve box/end cap kit	HASL30103
Centre valve cover	HASL30104
90° internal corner	HASL30105
90° external corner	HASL30106
135° internal corner	HASL30107
135° external corner	HASL30108
Finger Guard 500	HASL30109
Finger Guard 1000	HASL30110
Element only	HASL30111

Space Saver

A highly energy efficient fan convector that fits neatly into the plinth of a kitchen unit and eliminates the need for conventional radiators

Applications

Kitchen
Utility
Bathroom



Features

- Makes room for extra kitchen storage, work space, or additional appliances
- More affordable than underfloor heating
- Get the flooring you want
- Discreet heating
- Easy to use
- Suitable for plinth heights from 80mm upwards
- Contemporary design with a wide choice of grille colours to suit interior decoration
- Two heat outputs and fan only option for instant heat and cool air circulation
- Low voltage bathroom model available for high humidity areas
- Free five years parts and labour warranty

Easy to use

Smith's Space Saver comes on and off with your central heating, just like the rest of your radiators do. It uses the same water that your radiator uses, just a lot less and it has a tiny energy efficient electric fan that pushes out the heat into the room.

How many do I need?

As a rule of thumb, for every radiator you remove, install one Space Saver. If you need further help, go to our website to read our installation guides, email us or give us call.

Is it quiet?

Good question. The sound is very similar to that of your fridge and we think you won't notice it as you go about your daily life in your kitchen, boiling kettles, running taps, chatting with friends.

Is it expensive to run?

Not at all. Because the heat comes from your boiler the only extra is the running cost of the fan - it costs 1p a day to use a Space Saver in your kitchen.

Can I find out more?

Just visit: thinksmiths.co.uk/spacesaver for more information and a list of stockists. Any questions, please contact us directly.

How a Smith's Space Saver works

Hydronic:

Hot water from your central heating system passes through a heat exchanger transferring its heat to the aluminium fins. Cooler air is drawn in by the fan and heated as it passes through the heat exchanger before being expelled gently back into the room.

This not only gives a more even temperature spread, but will heat up a room quicker than a traditional panel radiator.

Hydronic Low Voltage:

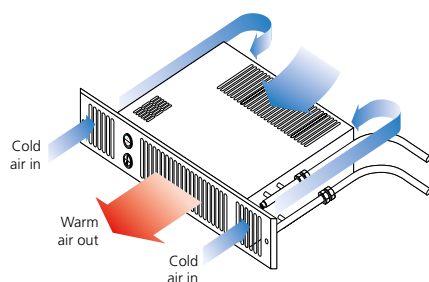
Functions in exactly the same way as a hydronic models but uses a transformer to ensure the product is safe to operate with wet hands.

Hydronic/Electric:

Like a hydronic model but also includes an electric element so you can still use the product when the central heating system is switched off.

Electric:

Plugs into a standard electrical socket when there isn't access to the central heating system. Electric heaters cost 15p per kWh to run.



Alternative grille finishes

Most Space Saver models are supplied with a detachable Stainless Steel fascia grille. Alternative colours are shown below.



Brown



Black



Chrome



White

Outputs For other heat output data please visit our website

Model	Room size guide* (m ²)	Heat Output		Sound levels		Fascia grille finish	Fan-only	Minimum plinth height (mm)
		Normal (KW)	Boost (KW)	Normal (dBA)	Boost (dBA)			
Hydronic								
SS80	24	0.8	1.1	32	40	Stainless Steel	•	80
SS3	31	1.1	1.4	26	39	Stainless Steel	•	100
SS5	37	1.3	1.7	27	43	Stainless Steel	•	100
SS7	46	1.6	1.9	30	44	Stainless Steel	•	100
SS9	63	2.2	2.4	41	46	Stainless Steel	•	120
Hydronic Low Voltage								
SS5 12V	33	1.3	1.7	31	39	Stainless Steel	•	100
Hydronic/Electric (Dual)								
SS5 Dual (in hydronic mode)	37	1.3	1.7	27	43	Stainless Steel	•	100
SS5 Dual (in electric mode)		1.0	-					100
Electric								
SS3E	58	1kW/2kW/3kW		42		Brushed Steel	•	100
SS2E	29	1kW/2kW		42		Brushed Steel	•	100
SS80E	18	0.6kW/1.2kW		42		Stainless Steel	•	80

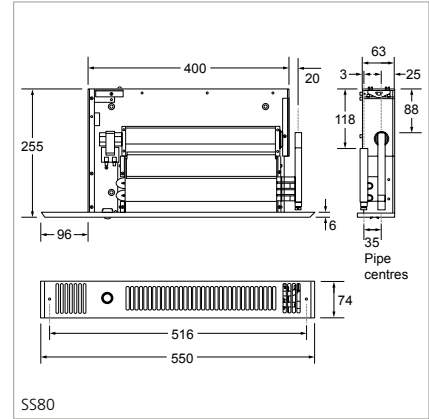
*Room sizes given in cubic metres for general guidance only based on normal heat output (80°C) for domestic applications - always calculate heat losses. Heat outputs tested in accordance with BS4856 using entering water temperature and 340 l/h (75gph) flow rate. Fan-only option operational only when central heating system is switched off. Dual models include an electric element which in electric heating mode will emit 1kW of heat. Sound levels measured at 1.5m.

Space Saver - Hydronic

A highly energy efficient fan convector that fits neatly into the plinth of a kitchen unit and eliminates the need for conventional radiators

Applications

Kitchen
Utility
Bathroom



Features

- Makes room for extra kitchen storage, work space, or additional appliances
- More affordable than underfloor heating
- Get the flooring you want
- Discreet heating
- Easy to use
- Suitable for plinth heights from 80mm upwards
- Contemporary design with a wide choice of grille colours to suit interior decoration
- Two heat outputs and fan only option for instant heat and cool air circulation
- Low voltage bathroom model available for high humidity areas
- Free five years parts and labour warranty

Motor

AC

Finish

Fascia grilles: Stainless steel.

Finish: brown - RAL 8016, black - RAL 9005, white - RAL 9010, chrome

Installation

Correct fascia grille opening must be cut to allow sufficient air intake

20mm clearance above unit required

Model secured to plinth by two screws through fascia grille

Unit must be earthed (not 12 volt SELV)

Suitable for two-pipe central heating systems only

SS80 supplied with detachable cable

SS80 models have easy fit thermostat facility

Commissioning

Check water temperature is hot enough to activate low temperature cut-out thermostat (LTC). Vent screw accessible through fascia grille

Controls

Single rocker switch - low/off/normal

SS80: Low temperature cut-out thermostat set to energise fan at approximately 35°C

SS5 W/Dual: three rocker switches, heating/off/fan-only, hydronic/electric, normal/boost

Low temperature cut-out thermostat set to energise fan at approximately 35°C

All other models: two rocker switches -normal/off/boost, heating/fan-only

Low temperature cut-out thermostat set to energise fan at approximately 35°C

Accessories

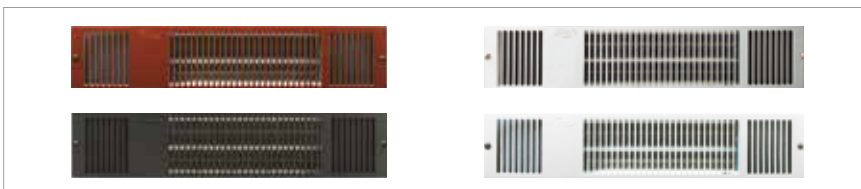
Wall-mounted room thermostat

Wall mounted control switch (white) to suit SS3, SS5, SS5/12V, SS7, SS9

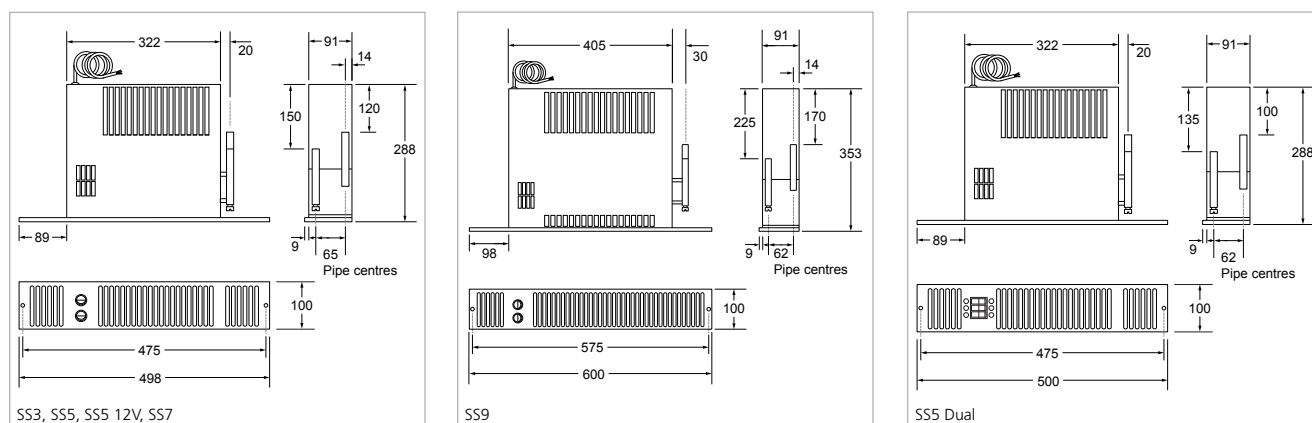
Attachments

Grilles: brown - RAL 8016, black - RAL 9005, white - RAL 9010 and chrome

Attachments



Brown, black, chrome or white fascia grilles



Outputs For other outputs, please see page 49

Model	Flow & return connections	Mains cable	Transformer	Flexible hoses	Fused spur	Total Power Consumption		Water Capacity (Litres)
						Normal (W)	Boost (W)	
SS3	15mm	2m	n/a	n/a	3A	18	25	0.36
SS5	15mm	2m	n/a	•	3A	18	25	0.36
SS7	15mm	2m	n/a	•	3A	21	30	0.38
SS9	15mm	2m	n/a	•	3A	24	35	0.53
SS80	15mm	2m	n/a	•	3A	5	10	0.35
SS5 12V	15mm	0.45m	•	•	3A	21	30	0.36
SS5 Dual	15mm	2m	n/a	•	3A	18 (electric mode)	25 (electric mode)	0.36

Ordering guide

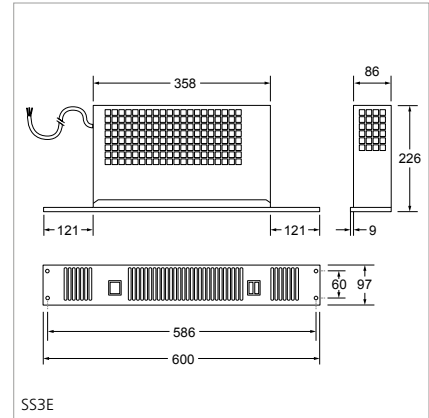
Model	Packed Wt (kg)	Product Codes
Hydronic		
SS3 (with Stainless Steel Grille) - No Hoses	5	HPSS10001
SS5 (with Stainless Steel Grille)	6	HPSS10002
SS7 (with Stainless Steel Grille)	6	HPSS10003
SS9 (with Stainless Steel Grille)	7	HPSS10004
SS80 (with Stainless Steel Grille)	5	HPSS10009
SS5/12V (with Stainless Steel Grille)	6	HPSS10005
Hydronic/Electric		
SS5/Dual (with Stainless Steel Grille)	6	HPSS10076

Accessories	Colour	Product Codes
SS3 / SS5 / SS5 12V / SS7 Grille	Brown	HASS10101
SS3 / SS5 / SS5 12V / SS7 Grille	Black	HASS10102
SS3 / SS5 / SS5 12V / SS7 Grille	White	HASS10103
SS3 / SS5 / SS5 12V / SS7 Grille	Chrome	HASS10104
SS9 Grille	Brown	HASS10111
SS9 Grille	Black	HASS10112
SS9 Grille	White	HASS10113
SS9 Grille	Chrome	HASS10114
SS5 Dual Grille	Brown	HASS10121
SS5 Dual Grille	Black	HASS10122
SS5 Dual Grille	White	HASS10123
SS5 Dual Grille	Chrome	HASS10124
SS80 Grille	Brown	HASS10141
SS80 Grille	Black	HASS10142
SS80 Grille	White	HASS10143
SS80 Grille	Chrome	HASS10165
Remote Room Thermostat		HAGA95001
Wall mounted control switch - SS3, SS5, SS7, SS9		HASS10162
15mm Flexible Hoses (Pr)		HAGA95002

Space Saver - Electric

Applications
Kitchen
Utility

A highly energy efficient fan convector that fits neatly into the plinth of a kitchen unit and eliminates the need for conventional radiators



Features

- Makes room for extra kitchen storage, work space, or additional appliances
- More affordable than underfloor heating
- Get the flooring you want
- Discreet heating
- Easy to use
- Suitable for plinth heights from 80mm upwards
- Contemporary design with a wide choice of grille colours to suit interior decoration
- Two heat outputs and fan only option for instant heat and cool air circulation
- Low voltage bathroom model available for high humidity areas
- Free five years parts and labour warranty

Motor

AC

Finish

SS2E and SS3E Fascia grilles: Zinc coated steel polyester, powder coated - metallic silver (referred to as Brushed Steel)
Finish: brown - RAL 8016, black - RAL 9005, white - RAL 9010 and chrome
SS80E Fascia grilles: Stainless steel
Finish: brown - RAL 8016, black - RAL 9005, white - RAL 9010

Installation

Correct fascia grille opening must be cut to allow sufficient air intake
SS2E and SS3E - 20mm clearance above unit required
SS80E - 10mm clearance above unit required
Model secured to plinth by two screws through fascia grille
Unit must be earthed

Controls

Overheat protection: thermal cut-out. Manual reset procedure: switch power off at unit or mains, wait 5 minutes, switch power on
SS2E: three rocker switches On/off, 1kW, 2kW
SS3E: Push on/off switch, two rockers switches 1kW, 2kW, 3kW
SS80E: three rocker switches On/off, 0.6kW, 1.2kW

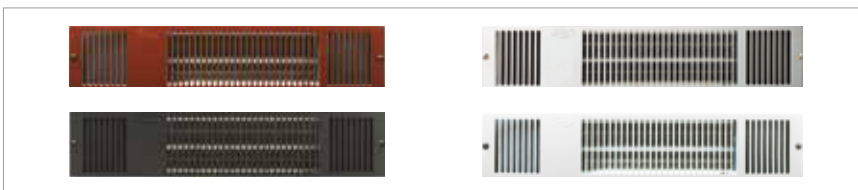
Accessories

Wall-mounted control switch (white) to suit SS2E

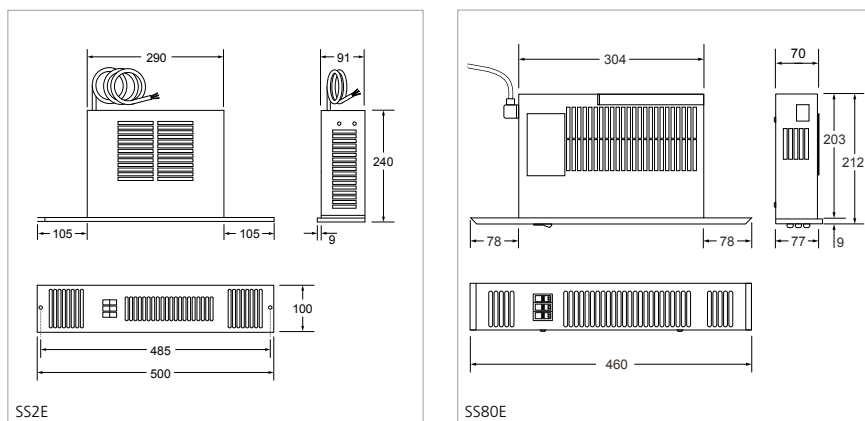
Attachments

SS2E:
Grilles: brown - RAL 8016, black - RAL 9005, white - RAL 9010, chrome
Alternative grilles for SS2E fit over the supplied grille
SS80E:
Grilles: brown - RAL 8016, black - RAL 9005, white - RAL 9010

Attachments



Brown, black, chrome or white fascia grilles



Outputs For other outputs, please see page 49

Model	Mains cable	Fused spur	Total Power Consumption (kW)
SS2E	2m	10A	1kW/2kW
SS3E	2m	13A	1kW/2kW/3kW
SS80E	2m	10A	0.6kW/1.2kW

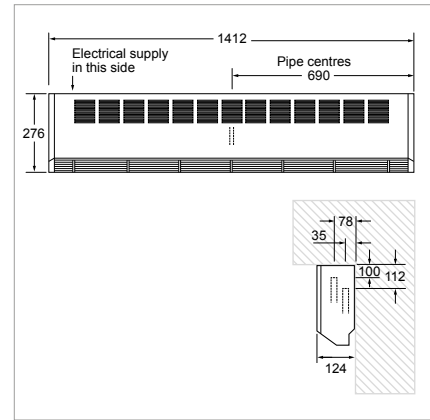
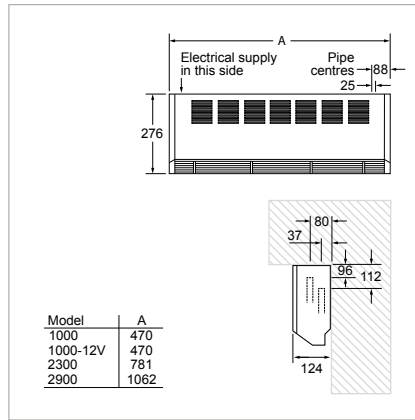
Ordering guide

Model	Packed Wt (kg)	Product Codes
Electric		
SS2E (with stainless steel grille)	4	HPSS10070
SS2E (with white grille)	4	HPSS10079
SS3E (with stainless steel grille)	5	HPSS10075
SS3E (with white grille)	5	HPSS10084
SS80E (with stainless steel grille)	4	HPSS10073
Attachments		Colour
SS2E Grille	Brown	HASS10131
SS2E Grille	Black	HASS10132
SS2E Grille	Chrome	HASS10134
SS80E Grille	Brown	HASS10151
SS80E Grille	Black	HASS10152
SS80E Grille	White	HASS10153
SS80E Grille	Chrome	HASS10164
Accessories		
Wall mounted control switch - SS2E		HASS10161
15mm Flexible Hoses (Pr)		HAGA95002

Ecovector® High

Applications
Bathroom
Conservatory

The Ecovector Hydronic Low Voltage fan convectors provide effective and dependable heating for both small and large commercial areas, fitted unobtrusively above head height



Features

- They work particularly well in shops and libraries, where lower wall space is limited
- Compatible with most types of wet central heating systems, functioning equally efficiently with conventional boilers, biomass technology or ground or air source heat pumps
- Supplied as standard in white but casing can be supplied in any colour

Motor

AC only

Finish

Front casing: zinc-coated steel.
Polyester powder-coated RAL 9010
Side panels: polymer eggshell white

Installation

Maximum installation height 2.1m (6'11") to underside
No top or side clearance required
Unit must be earthed (except model 1000-12V)
Suitable for two-pipe central heating systems
Patress box not supplied for transformer (model 1000-12V)

Commissioning

Check water is hot enough to activate the low temperature cut-out thermostat. The inclusion of an automatic air vent at the highest point is recommended to avoid possible air locks

Controls

Two rocker switches - normal/off/boost, heating/fan-only
Low temperature cut out thermostat, set to energise fan at approximately 35°C

Accessories

See matrix on page 70

Ordering guide

Model	Packed Wt (kg)	Product Codes
Ecovector 1000	7	HPEV50011
Ecovector 2300	11	HPEV50012
Ecovector 2900	15	HPEV50013
Ecovector 4000	18	HPEV50014
Ecovector 1000-12V	8	HPEV50015
Accessories		
Remote (Wired) Room Thermostat		HAGA95001
Remote (Wired) Room Thermostat Siemens		HACA33077
Remote (Wireless) Room Thermostat Siemens RF		HACA33074
Remote (Wired) Room Thermostat Siemens Tamper Proof		HAGA95004

Heat Output For other heat output data please visit our website

Model	Room size guide* (m ³)	Heat Output at 75°		Heat Output at 45°	
		Normal (kW)	Boost (kW)	Normal (kW)	Boost (kW)
Ecovector 1000	29	1.0	1.2	0.5	0.6
Ecovector 2300	66	2.1	2.8	1.1	1.4
Ecovector 2900	-	2.7	4.0	1.4	2.0
Ecovector 4000	-	3.7	4.8	1.8	2.5
Ecovector 1000-12V	25	1.0	1.2	0.5	0.5

Model	Flow & return connections	Mains cable	Trans-former	Fused spur	Total Power Consumption			Sound Levels		Casting colour	Fan-only
					Normal (Watts)	Boost (Watts)	Water Capacity (Litres)	Normal (dBA)	Boost (dBA)		
Ecovector 1000	15mm	1.5m	n/a	3A	20	25	0.28	32	40	white	•
Ecovector 2300	15mm	1.5m	n/a	3A	20	32	0.32	34	50	white	•
Ecovector 2900	15mm	1.5m	n/a	3A	33	50	0.52	37	51	white	•
Ecovector 4000	22mm	1.5m	n/a	3A	40	60	1.04	39	52	white	•
Ecovector 1000-12V	15mm	0.45m	•	3A	20	25	0.28	32	39	white	•

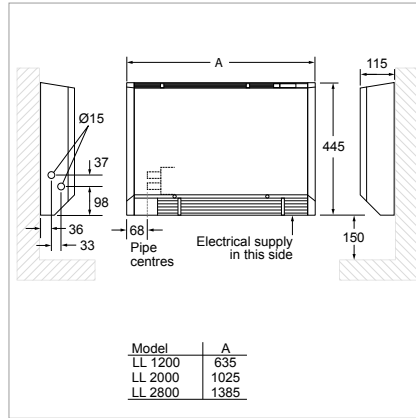
*Room sizes given in cubic metres for general guidance only based on normal heat output (80°C) for domestic applications - always calculate heat losses. Heat outputs tested in accordance with BS4856 using entering water temperature and 340 l/h (75gph) flow rate. Fan-only option operational only when central heating system is switched off. Sound levels measured at 1.5m.

Ecovector® Low

Ecovector Low Level fan convectors provide warmth from the floor upwards and are more energy efficient and effective than radiators

Applications

Bathroom
Bedroom
Kitchen
Utility
Conservatory



Features

- The Ecovector can heat up a room more quickly than radiators, thereby reducing the amount of time your boiler or heat pump is running - making it extremely efficient and cost effective
- Compatible with most types of wet central heating systems, functioning equally efficiently with conventional boilers, biomass technology or ground or air source heat pumps
- Ideal for new and existing developments, due to ease of installation, the Ecovector is available in a range of models to suit varying room sizes and heat output requirements
- Supplied as standard in white but casing can be supplied in any colour

Motor

AC only

Finish

Front casing: zinc-coated steel.
Polyester powder-coated RAL 9010
Side panels: polymer eggshell white

Installation

Mounting bracket supplied
Unit must be earthed
Suitable for two-pipe central heating systems
Minimum height above floor level 150mm
Maximum height above floor level 500mm

Commissioning

Check water is hot enough to activate the selectable low temperature cut-out thermostat

Control

Rocker switch - normal/off/boost
Built-in room thermostat
Low temperature cut-out thermostat set to energise fan at approximately 35°C

Heat Output For other heat output data please visit our website

Model	Room size guide* (m ³)	Heat Output at 75°		Heat Output at 45°	
		Normal (kW)	Boost (kW)	Normal (kW)	Boost (kW)
Ecovector LL 1200	34	1.1	1.4	0.5	0.6
Ecovector LL 2000	57	1.9	2.4	0.9	1.1
Ecovector LL 2800	80	2.6	3.2	1.2	1.5

Ordering guide

Model	Packed Wt (kg)	Product Codes
Ecovector LL 1200	12	HPEV50001
Ecovector LL 2000	17	HPEV50002
Ecovector LL 2800	24	HPEV50003

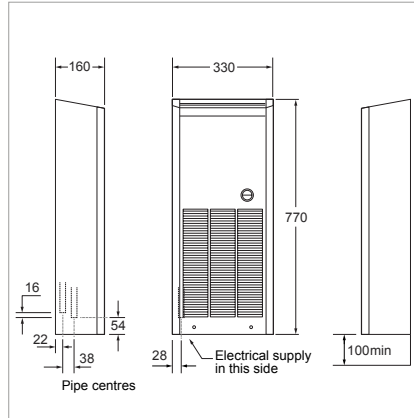
Model	Flow & return connections	Mains cable	Transformer	Fused spur	Total Power Consumption		Water Capacity (Litres)	Sound Levels		Casting colour	Fan-only
					Normal (Watts)	Boost (Watts)		Normal (dBA)	Boost (dBA)		
Ecovector LL 1200	15mm	1.5m	n/a	3A	17	21	0.29	32	38	white	n/a
Ecovector LL 2000	15mm	1.5m	n/a	3A	26	55	0.58	35	40	white	n/a
Ecovector LL 2800	15mm	1.5m	n/a	3A	43	76	0.83	37	42	white	n/a

*Room sizes given in cubic metres for general guidance only based on normal heat output (80°C) for domestic applications - always calculate heat losses. Heat outputs tested in accordance with BS4856 using entering water temperature and 340 l/h (75gph) flow rate. Sound levels measured at 1.5m.

Ecovector® Vertical

Applications
Hall/Landing
Study

Ideal for hallways, corridors, alcoves and other places where space is limited. Ecovector can heat up a room more quickly than radiators, thereby reducing the amount of time your boiler or heat pump is running - making it extremely efficient and cost effective



Features

- Ideal for new and existing building developments
- Compatible with most types of wet central heating systems, functioning equally efficiently with conventional boilers, biomass technology or ground or air source heat pumps
- Supplied as standard in white but casing can be supplied in any colour

Motor

AC only

Finish

Front casing and side panels: zinc-coated steel
Polyester powder-coated RAL 9010

Installation

Mounting bracket supplied
Unit must be earthed
Suitable for two-pipe central heating systems
Minimum height above floor level 150mm, maximum height above floor level 500mm

Commissioning

Check water is hot enough to activate the selectable low temperature cut-out thermostat

Controls

Rocker switch - normal/off/boost
Low temperature cut-out thermostat set to energise fan at approximately 35°C
Wireless wall mounted thermostat included with this product

Heat Output For other heat output data please visit our website

Model	Room size guide* (m ²)	Heat Output at 75°		Heat Output at 45°	
		Normal (kW)	Boost (kW)	Normal (kW)	Boost (kW)
Ecovector VE 2500	71	2.3	2.4	1.1	1.1

Ordering guide

Model	Packed Wt (kg)	Product Codes
Ecovector VE 2500	7	HPEV50021

Model	Flow & return connections	Mains cable	Trans-former	Fused spur	Total Power Consumption		Water Capacity (Litres)	Sound Levels		Casting colour	Fan-only
					Normal (Watts)	Boost (Watts)		Normal (dBA)	Boost (dBA)		
Ecovector VE 2500	15mm	1.5m	n/a	3A	28	36	0.75	36	39	white	n/a

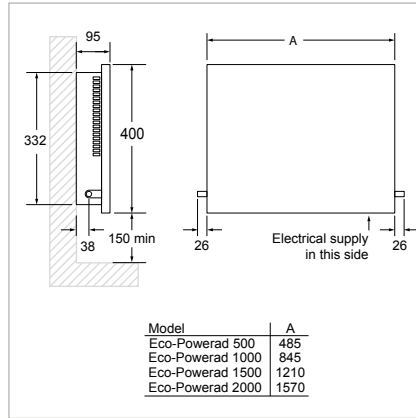
*Room sizes given in cubic metres for general guidance only based on normal heat output (80°C) for domestic applications - always calculate heat losses. Heat outputs tested in accordance with BS4856 using entering water temperature and 340 l/h (75gph) flow rate. Fan-only option operational only when central heating system is switched off. Sound levels measured at 1.5m.

Eco-Powerad®

The Eco-Powerad is the fan convector of the future - energy efficient, responsive and suitable for installation within most wet central heating systems, driven by either boilers or low temperature renewable technology

Applications

Bathroom
Bedroom
Study
Living/dining room
Kitchen
Utility
Conservatory



Features

- Compact, with smooth lines to achieve visual simplicity, the Eco-Powerad also features low surface temperature casing for complete safety and possesses a very low operating sound - between 28 and 32 decibels
- Compatible with most types of wet central heating systems, functioning equally efficiently with conventional boilers, biomass technology or ground or air source heat pumps
- Supplied as standard in white but casing can be supplied in any colour

Motor

AC only

Finish

Front casing: zinc coated steel
Polyester powder-coated RAL 9010

Installation

Mounting bracket supplied
Unit must be earthed
Suitable for two-pipe central heating systems
Minimum height above floor level 150mm
Maximum height above floor level 500mm

Commissioning

Check water is hot enough to activate the low temperature cut-out thermostat. Ensure system is balanced for even heat distribution

Control

Low temperature cut-out thermostat, set to energise fan at approximately 35°C
Suitable for thermostatic radiator valves (TRV) - not supplied
Rocker switch - normal/low

Heat Output For other heat output data please visit our website

Model	Room size guide* (m ³)	Heat Output at 75° (kW)	Heat Output at 45° (kW)
Eco-Powerad 500	14	0.8	0.4
Eco-Powerad 1000	29	2.1	0.8
Eco-Powerad 1500	43	2.4	1.2
Eco-Powerad 2000	57	3.5	1.7

Ordering guide

Model	Packed Wt (kg)	Product Codes
Eco-Powerad 500	6	HPEP52001
Eco-Powerad 1000	10	HPEP52002
Eco-Powerad 1500	14	HPEP52003
Eco-Powerad 2000	18	HPEP52004

Model	Flow & return connections	Mains cable	Transformer	Fused spur	Total Power Consumption (Watts)	Water Capacity (Litres)	Sound Levels (dBA)	Casting colour
Eco-Powerad 500	15mm	2m	n/a	3A	15	0.17	28	white
Eco-Powerad 1000	15mm	2m	n/a	3A	18	0.28	30	white
Eco-Powerad 1500	15mm	2m	n/a	3A	33	0.44	31	white
Eco-Powerad 2000	15mm	2m	n/a	3A	36	0.55	32	white

*Room sizes given in cubic metres for general guidance only based on normal heat output (50°C) for domestic applications - always calculate heat losses. Heat outputs tested in accordance with BS4856 using entering water temperature and 340 l/h (75gph) flow rate.

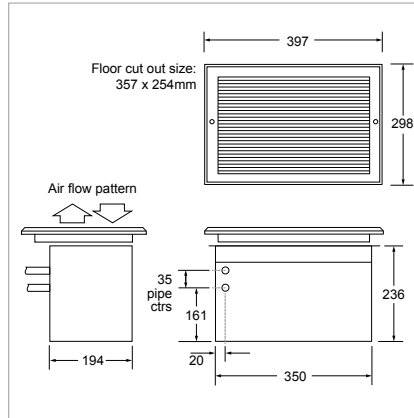
At inlet water temperatures of 75°C and below, all Eco-Powerad models are classified as LST (low surface temperature) appliances. Sound levels measured at 1.5m.

Spacemaker

A fan convector that installs flush with the floor, providing efficient and effective heat at low level

Applications

Hall
Kitchen
Utility
Conservatory



Features

- Perfect for places in the home where space is particularly limited
- Ideal for spaces such as entrance halls, lobbies, circulation areas and applications where wall space is limited

Motor

AC only

Finish

Anodised aluminium grille with removable centre section

Installation

Installs between floor joists or purpose made trenches in concrete floors

Air intake and discharge through grille

Unit must be earthed

Suitable for two-pipe central heating systems only

Commissioning

Check water temperature is hot enough to activate low temperature cut-out (LTC). Vent screw accessible through grille

Controls

Rocker switch - normal/off/boost, below grille

Low temperature cut-out thermostat set to energise fan at approx. 35°C

Heat Output For other heat output data please visit our website

Model	Room size guide* (m ³)	Heat Output at 75°		Heat Output at 45°	
		Normal (kW)	Boost (kW)	Normal (kW)	Boost (kW)
Spacemaker SST8	46	1.5	2.1	0.7	1.0

Ordering guide

Model	Packed Wt (kg)	Product Codes
Spacemaker SST8	7	HPSM12001

Model	Flow & return connections	Mains cable	Trans-former	Fused spur	Total Power Consumption		Water Capacity (Litres)	Sound Levels		Casting colour	Fan-only
					Normal (Watts)	Boost (Watts)		Normal (dBA)	Boost (dBA)		
Spacemaker SST8	15mm	1.5m	n/a	3A	20	30	0.27	32	39	Anodised aluminium	n/a

*Room sizes given in cubic metres for general guidance only based on normal heat output (80°C) for domestic applications - always calculate heat losses. Heat outputs tested in accordance with BS4856 using entering water temperature and 340 l/h (75gph) flow rate. Sound levels measured at 1.5m.



Sureline®

Applications
Study
Conservatory

Provides gentle, discreet and efficient low-level warmth and is the ideal heating solution for areas where wall space is limited - rooms such as loft conversions and new-builds



Features

- Simple to install along the skirting in any room, Sureline is an efficient natural convector that provides discreet heating
- Supplied as standard in white but casing can be supplied in any colour

Finish

Outer casing 0.7mm zinc coated steel
Polyester powder-coated RAL 9010
Each length includes casing, element, backplate and joining strip.
Casing only includes casing, backplate and joining strip

Installation

Minimum clearance above floor 50mm
Flow and return connections 22mm copper
Designed for system pressures up to 10 bar
Suitable for two-pipe central heating systems only

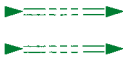

Attachments

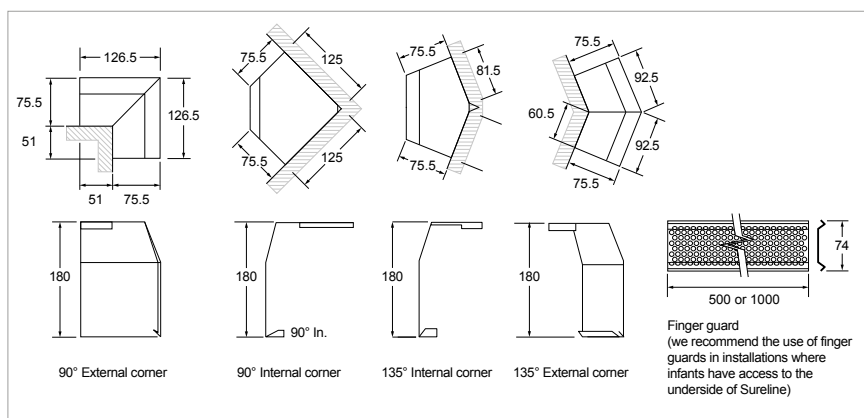
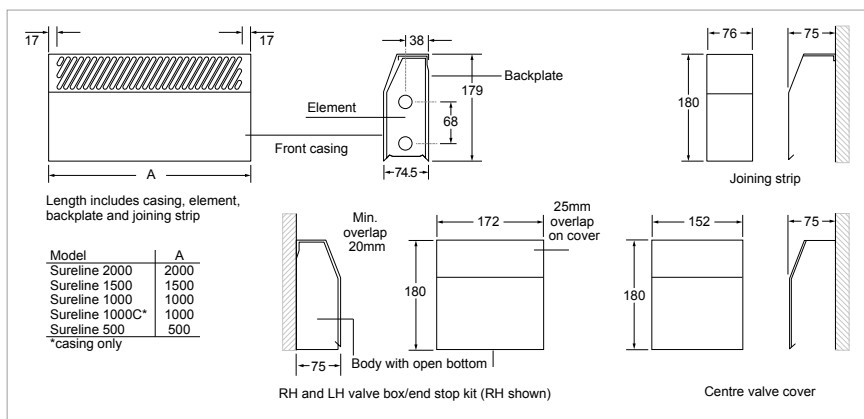
Casing only (1000mm)
LH valve box/end cap kit
RH valve box/end cap kit
Centre valve cover
90° internal cover
90° external cover
135° internal cover
135° external cover
Finger guard 500 (500mm)
Finger guard 1000 (1000mm)
Element (1000mm)

Customised requirements

We are able to offer casings painted in any colour. Price and availability will be confirmed at the time of order

Heat Output For other heat output data please visit our website

	Flow Rate L/h (G/h)	Btu/h/m @ average water temperature						W/m @ average water temperature					
		50°C	55°C	60°C	65°C	70°C	75°C	50°C	55°C	60°C	65°C	70°C	75°C
 Two supplies - Parallel	920 (200)	1310	1570	1820	2070	2300	2560	380	460	530	610	670	750
 Bottom supply - Top return	920 (200)	1030	1250	1460	1710	1920	2140	300	370	430	500	560	630



Ordering guide

Model	Packed Wt (kg)	Product Codes
Sureline 500	5	HPSL30001
Sureline 1000	7	HPSL30002
Sureline 1500	10	HPSL30003
Sureline 2000	14	HPSL30004

Attachments	Product Codes
Casing only	HASL30101
LH valve box/end cap kit	HASL30102
RH valve box/end cap kit	HASL30103
Centre valve cover	HASL30104
90° internal corner	HASL30105
90° external corner	HASL30106
135° internal corner	HASL30107
135° external corner	HASL30108
Finger Guard 500	HASL30109
Finger Guard 1000	HASL30110
Element only	HASL30111

Circulating Pump

Compact high efficiency circulators for domestic and light commercial heating applications

Applications

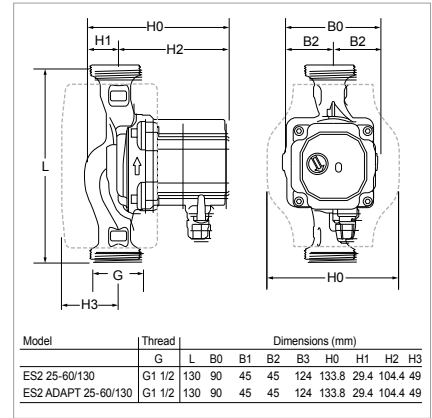
Domestic and commercial hot water heating systems



ES2



ES2 - Adapt



Features

- Compact design
- Very high degree of efficiency due to permanent magnets motor
- ERP compliant
- LED provides information about the circulator's operation for easy installation and use
 - Auto-unblock feature
 - Air detection system
- Min-Max mode: allows you to set the exact working point across the range
- Wet rotor type because all rotating parts are immersed in the fluid being pumped. The pumped fluid cools and lubricates the motor and rotating parts therefore they do not have a packing seal or mechanical seal
- INVERTER TECH technology allows the circulator to change rotating speed. The microcontroller built in the electronic control system contains a fully automatic speed control system able to adapt to the changing needs of the system. The circulator delivers the performance you need with minimum energy consumption

ES2 Adapt 60

- activeADAPT mode for easier and faster installations
- Effective performance tuning in constant differential pressure ($\Delta p-c$), proportional differential pressure ($\Delta p-v$) or fixed speed (min-max)
- Thermal insulation shell included

Ordering guide

Model	Packed Wt (kg)	Product Codes
ES2 - 25/60 - 130	1.8	PPES70001
ES2 - Adapt 25/60 - 130	1.8	PPES70002

Accessories

Glossary

Remote (Wired) Room Thermostat

This accessory measures room temperature and switches off the heater when the set temperature is reached. This thermostat is hard wired and connects directly into either the heater's terminal block or power supply.

Remote (Wired) Room Thermostat Siemens

This accessory measures room temperature and switches off the heater when the set temperature is reached. This thermostat is hard wired and connects directly into either the heater's terminal block or power supply.

Remote (Wireless) Room Thermostat Siemens RF

This thermostat has two parts, a base station and a wall mounted user control. The base station is usually factory fitted into a unit, with the user control packaged separately, but within the products transportation box. The controller is operated by battery and should be positioned appropriately by the installer.

Remote (Wired) Room Thermostat Siemens Tamper Proof

This accessory measures room temperature and switches off the heater when the set temperature is reached. This thermostat is hard wired and connects directly into either the heater's terminal block or power supply. The thermostat has a secure cover that deters unwanted adjustment of the room temperature set point.

Remote (Wired) Room Thermostat Siemens Speed and Temperature Control (EC only)

This accessory measures room temperature and switches off the heater when the set temperature is reached. Additionally, it has the ability to control the fan speed on our EC products. This thermostat is hard wired and connects directly into either the heater's terminal block. Normally, the thermostat would be ordered as part of a package that includes an EC Caspian heater and is prepared for use in our factory.

Wall mounted control switch

Allows the product to be controlled from a switch mounted on the wall rather than the product. Linking to the heater is made by replacing the existing switch connections with the connections on the control switch.

Flexible hoses

Flexible connections are a convenient way of connecting a heater into your system. They will provide an easy to achieve connection from your first-fix pipe work. In addition they will provide for a level of expansion and contraction in rigid pipe work and mitigating possible sound and vibration transmission.

Adjustable low temperature cut-out (LTC)

This cut out device allows the user to set the water temperature (between 30°C and 90°C) at which the product will start to emit heat. It is more accurate than the standard fitted LTC (set at 35°C) and enables more flexible use with both low system temperature heat pumps and higher system temperature boilers including biomass that can produce 80°C flow temperatures.

Plinth

The optional plinth creates an attractive floor standing unit and also conceals the pipe work from view. This can also be invaluable where it is necessary to prevent contact with heating pipes by vulnerable groups. A plinth can also add an additional level of protection from the ingress of dust on hard flooring surfaces.

Caspian EC linking kit (EC only)

The linking kit allows for the creation of master and slave units (up to four units), by allowing a 0-10 V signal to be transmitted through its cabling. This allows one fan speed controller, or room thermostat to control multiple units. It can also be used to control multiple units by means of a BMS.

External control harness (EC only)

This accessory is generally used to permit a remote manual speed adjustment on an EC variant Caspian. It is possible to provide speed control to a master unit and to then utilise the EC linking kit to link to any slave units.

Proportional Heat Output Controller (PHOC)

This accessory controls the fan speed and hence the heat output of the unit. These controls are available in integral (low level units) and in a remote format (high level units). PHOC's are available in two standard temperature settings, either 15 - 25°C, or 11 - 21°C. When the room temperature is at or below the lowest set point (11°C or 15°C) the fan speed will run at its maximum speed to give fastest heat up time. As the room temperature increases towards the upper set point (21°C or 25°C), the fan speed modulates downwards towards a minimum level.

Thermostat T1

This is a factory fitted air thermostat suited to both AC and EC products installed at low level. This control provides a tamperproof room temperature control and is ideal for use in public buildings.

Thermostat T2 (AC only)

A T2 thermostat is used to control the fan speed on low level AC products only. The objective in using this control is to facilitate a faster heat up period in a room. An installer or commissioning engineer can determine the temperature set point at which the fan speed is changed from high to low. A typical set point would be 16°C, where temperatures below this level would trigger a higher fan speed.

Thermostat and Auto-Speed control (T1/T2)

This accessory serves two purposes. Firstly, it becomes an integral room thermostat for the unit providing localised control and secondly, the heat output will be changed according to the temperature in the room. For example, the fan may work on full power up to 18°C and above this temperature move to a lower fan speed. Normally the fan speeds used will be medium and low.

Accessories Matrix

Easy guide to accessories

Control	Model Ref	Product Codes	Products	
			Caspian SL/FF	
			EC	AC
Adjustable low temperature cut-out (all Caspian models)	ALTC3	HACA33001	✓	✓
Thermostat T1 (low level models with AC or EC Motors)	TCAS T1	HACA33002	✓	✓
Thermostat T2 (low level models with AC Motors)	TCAS T2	HACA33036		✓
Thermostat (T1) & auto-speed Control (T2) (Low level models with AC motors)	TCAS T1-T2	HACA33003		✓
External Control Harness (models with EC motors)	EXTCH	HHCA33004	✓	
Caspian EC linking kit (Alt to EXTCH)	CASPWCK	HACA33068	✓	
Proportional Heat Output Controller (models with EC motors) 15°-25°C (low level only)	PHOC 15-25	HACA33005	✓	
Proportional Heat Output Controller (models with EC motors) Remote Sensor 15°-25°C	PHOC 15-25 RS	HACA33037	✓	
Proportional Heat Output Controller (models with EC motors) 11°-21°C (low level only)	PHOC 11-21	HACA33075	✓	
Proportional Heat Output Controller (models with EC motors) Remote Sensor 11°-21°C	PHOC 11-21 RS	HACA33076	✓	
Remote (Wired) Room Thermostat	08-0826	HAGA95001	✓	✓
Remote (Wired) Room Thermostat Siemens	RAA21-GB 24-240V	HACA33077	✓	✓
Remote (Wireless) Room Thermostat Siemens RF	RDD 100.1 RFS	HACA33074	✓	✓
Remote (Wired) Room Thermostat Siemens Tamper Proof	RAA11	HAGA95004	✓	✓
Remote (Wired) Room Thermostat Siemens Speed and Temperature Control (EC only)	RDG160T	HACA33078	✓	
22mm flexible hoses (pair)	CAS22FH	HAGA95003	✓	✓
Integral, surface mounted and remote switching options		*	✓	✓
Factory fitted controls as standard		*	✓	✓
Bespoke RAL paint finishes		*	✓	✓
Antibacterial and antimicrobial paint finishes		*	✓	✓

Note: * Please contact Smith's for further information

Caspian UV/TT		Caspian EXT		Caspian UVC		Caspian LST	Caspian Skyline		Ecovector
EC	AC	EC	AC	EC	AC	EC	EC	AC	High/low
✓	✓	✓	✓	✓	✓		✓	✓	
✓	✓	✓	✓	✓	✓				
	✓		✓		✓				
	✓		✓		✓				
✓		✓		✓			✓		
✓		✓		✓			✓		
✓		✓		✓					
✓		✓		✓			✓		
✓		✓		✓					
✓		✓		✓			✓		
✓	✓	✓	✓	✓	✓		✓	✓	✓
✓	✓	✓	✓	✓	✓		✓	✓	✓
✓	✓	✓	✓	✓	✓		✓	✓	✓
✓	✓	✓	✓	✓	✓		✓	✓	✓
✓		✓		✓			✓		
✓	✓	✓	✓	✓	✓	✓	✓	✓	
✓	✓	✓	✓	✓	✓		✓	✓	
✓	✓	✓	✓	✓	✓	✓	✓	✓	
✓	✓	✓	✓	✓	✓	✓			
✓	✓	✓	✓	✓	✓	✓			

Happy to help

Smith's Environmental Products Ltd is one of the leading manufacturers of heating and cooling products in the UK. We are committed to achieving the highest standards and our faith is supported by a free five year parts and labour guarantee with every product. Our customer service is second to none and we are happy to offer any help and guidance that you might need.

Stockists

All products are available nationally from Builders' Merchants, Plumbers' Merchants, Heating Equipment Distributors and Kitchen Equipment Distributors. In the event of difficulty, please contact us or visit our website SmithsEP.co.uk for details of your nearest stockist.

Information and advice

Full technical specifications and list prices is available to download from our website or in hard copy from our office. Also available on our website are price lists, individual product data sheets, installation & user guides, where to buy, who to contact and a media centre.

Alternatively contact our office 9.00am to 5.00pm Monday to Friday.

As part our commitment to continuous improvement Smith's Environmental Products may change the specifications of its products without prior notification or public announcement. All descriptions, illustrations, drawings and specifications in this publication present only general particulars and shall not form part of any contract. All dimensions are in mm unless otherwise stated.

To view the full product information
download the datasheet at:
www.SmithsEP.co.uk

For product information, customer services or sales support call us on **+44 (0) 1245 324900**

For the Republic of Ireland, contact
MT Agencies on **01 864 3363**

Sales: sales@smithsep.co.uk

General information: info@smithsep.co.uk

Smith's Environmental Products Ltd
Blackall Industrial Estate,
South Woodham Ferrers,
Chelmsford, Essex CM3 5UW

SmithsEP.co.uk

[@SmithsEP_UK](https://twitter.com/SmithsEP_UK)

[#ThinkSmiths](https://www.facebook.com/ThinkSmiths)

August 2018 | Version 1